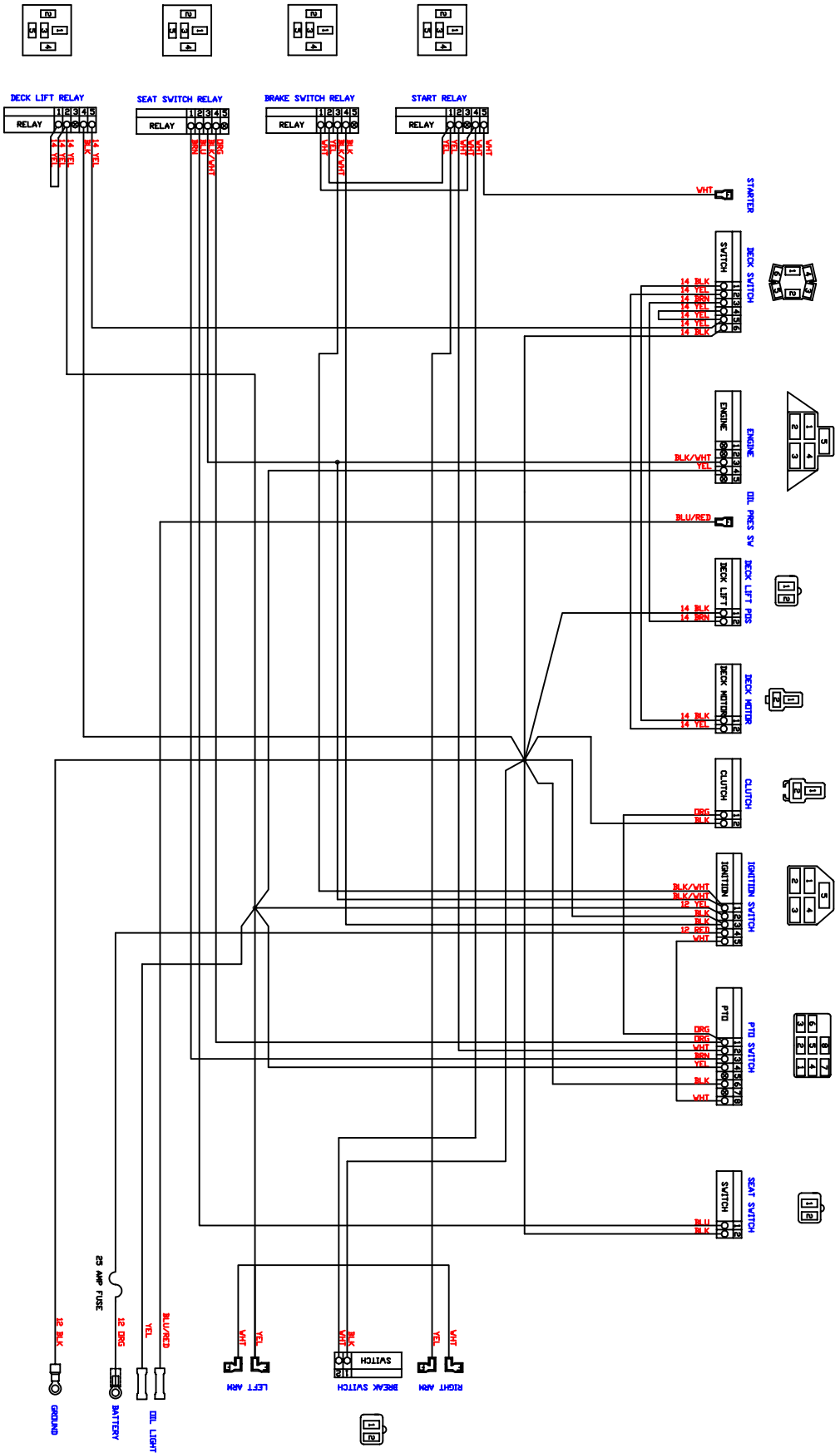


ALL WIRES 16GA UNLESS NOTED OTHERWISE.



**ELECTREX, INC.**  
 HUTCHINSON, KS  
 CUSTOMER \_\_\_\_\_ BAD BOY  
 THEIR P/N \_\_\_\_\_ 086-2008-00  
 DWG TITLE \_\_\_\_\_ SCHEMATIC  
 OUR P/N \_\_\_\_\_ 9199030SCHEMATIC  
 P 1 OF 1 REVISION A  
 DRAWN BY AND DATE 9/28/05

THIS DRAWING AND THE INFORMATION IT CONTAINS ARE THE PROPERTY OF ELECTREX, INC. AND MAY BE USED BY OTHERS ONLY AS AUTHORIZED BY US.