

OWNER'S/OPERATOR'S MANUAL

MANUAL DEL PROPIETARIO U OPERADOR
MANUEL DU PROPRIETAIRE/DE L'UTILISATEUR



BACKPACK BLOWER

SOPLADORA DE
CARGAR A LA
ESPALDA
SOUFFLEUSE À DOS

BB880



Completely read and understand this manual PRIOR to using this product.

Lea y entienda este manual a fondo, ANTES de usar este producto.

Lisez complètement et comprenez ce manuel AVANT d'utiliser ce produit.

Limited Warranty Statement

This Bad Boy gas powered handheld tool is warranted to the original purchaser to be free from defects in material and workmanship **from the date of purchase** for the time periods listed as follows:

2 years for residential use or

1 year for commercial use or

90 days for rental use.

Any part of this Bad Boy product found to be defective within the applicable warranty period shall, at Bad Boy's option, be repaired or replaced without charge. Warranty consideration is obtained by delivering the Bad Boy product believed to be defective to an Authorized Bad Boy Servicing Dealer within the applicable warranty period.

The purchaser shall not be charged for diagnostic labor that leads to the determination that a warranted part is defective, if the diagnostic work is performed at a Bad Boy Dealer.

Any warranted part which is not scheduled for replacement as required maintenance, or which is scheduled only for regular inspection to the effect of "repair or replace as necessary" shall be warranted for the warranty period. Any warranted part, which is scheduled for replacement as, required maintenance shall be warranted for the period of time up to the first scheduled replacement point for that part. Bad Boy Mowers, LLC is liable for damages to other engine components caused by the failure of a warranted part still under warranty.

The purchaser is responsible for the performance of the required maintenance, as defined by Bad Boy Mowers, LLC in the Owner's/Operator's Manual.

DISCLAIMER OF IMPLIED WARRANTIES

This limited warranty is in lieu of all other expressed or implied warranties, including any warranty of FITNESS FOR A PARTICULAR PURPOSE OR USE and any implied warranty of MERCHANTABILITY otherwise applicable to this product. Bad Boy Mowers, LLC shall not be liable for any special incidental or consequential damage, including lost profits.

There are no warranties extended other than as provided herein. Only Bad Boy Mowers, LLC Inc may modify this limited warranty.

This warranty does not cover the following:

1. Maintenance items (excluding defects in materials and workmanship) including hoses, spark plugs, starter rope, air and fuel filters, throttle cables and all pump attachments, etc.
2. Extra expenses including shipping and handling, travel, payment for lost time or pay and for any inconvenience and storage.
3. Alterations or modifications including aftermarket parts not authorized by Bad Boy Mowers, LLC.
4. Wear, accident, abuse, neglect, misuse, negligence, improper fuels, lubricants, fuel mixtures (when applicable), or failure to operate or maintain the product in accordance with instructions approved by Bad Boy.

Repair or replacement as provided under this warranty is the exclusive remedy of the consumer. Bad Boy shall not be liable for any incidental or consequential damages for breach of any express or implied warranty on these products except to the extent prohibited by applicable law. Any implied warranty of merchantability or fitness for a particular purpose on these products is limited in duration to the warranty period as defined in the limited warranty statement. Bad Boy reserves the rights to change or improve the design of the product without notice and does not assume obligation to update previously manufactured products.

This warranty provides you with specific legal rights, which may vary from state to state.

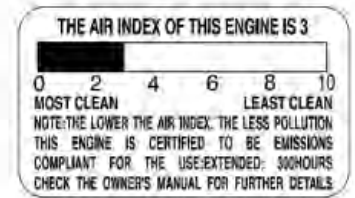
It is the Owner's and Dealer's responsibility to make sure the Warranty Registration Card is properly filled out and mailed to Bad Boy Mowers, LLC. Proof of purchase and registration will be required in order to obtain warranty service.

To locate an Authorized Bad Boy Servicing Dealer nearest you, contact:

Bad Boy Mowers, LLC
102 Industrial Drive
Batesville, AR 72501
www.badboycountry.com
Or call our toll-free helpline at 888-227-9443

⚠ WARNING ⚠

Operating, servicing and maintaining this product can expose you to chemicals including engine exhaust, carbon monoxide, phthalates, and lead, which are known to the State of California to cause cancer and birth defects or other reproductive harm. To minimize exposure, avoid breathing exhaust, service equipment in a well-ventilated area and wear gloves or wash your hands frequently when servicing this equipment. For more information, visit on the web at www.P65warnings.ca.gov.



BB880

FEDERAL EMISSION CONTROL WARRANTY STATEMENT YOUR WARRANTY RIGHTS AND OBLIGATIONS

The U.S. Environmental Protection Agency (EPA) and Maruyama Manufacturing Company, Inc. are pleased to explain the emission control system warranty on your small off-road engine. New 1997 and later model year small off-road engines must be designed, built and equipped, at the time of sale, to meet the U.S. EPA regulations for small off-road engines. The equipment engine must be free from defects in materials and workmanship which cause it to fail to conform with U.S. EPA standards for the first 5 years of engine use from the date of sale to the ultimate purchaser. Maruyama Manufacturing Company, Inc. must warrant the emission control system on your small off-road engine for the period of time listed above provided there has been no abuse, neglect or improper maintenance of your small off-road engine.

Emission durability of 300 hours.

Your emission control system may include parts such as the carburetor or fuel injection system, the ignition system, and catalytic converter. Also included may be hoses, belts, and connectors and other emission related assemblies.

Where a warrantable condition exists, Maruyama Manufacturing Company, Inc. will repair your small off-road engine at no cost to you, including diagnosis (if the diagnostic work is performed at an authorized dealer), parts, and labor.

MANUFACTURER'S WARRANTY COVERAGE:

The 1997 and later model year small off-road engines are warranted for 5 years. If any emission-related part on your engine is defective, the part will be repaired or replaced by Maruyama Manufacturing Company, Inc. free of charge.

OWNER'S WARRANTY RESPONSIBILITIES:

- (a) As the small off-road engine owner, you are responsible for the performance of the required maintenance listed in your owner's manual. Maruyama Manufacturing Company, Inc. recommends that you retain all receipts covering maintenance on your small off-road engine, but Maruyama Manufacturing Company, Inc. cannot deny warranty solely for the lack of receipts or for your failure to ensure the performance of all scheduled maintenance. Any replacement part or service that is equivalent in performance and durability may be used in non-warranty maintenance or repairs, and shall not reduce the warranty obligations of the engine manufacturer.
- (b) As the small off-road engine owner, you should be aware, however, that Maruyama Manufacturing Company may deny you warranty coverage if your small off-road engine or a part has failed due to abuse, neglect, improper maintenance or unapproved modifications.
- (c) You are responsible for presenting your small off-road engine to a Maruyama Manufacturing Company, Inc. service center as soon as a problem exists. The warranty repairs should be completed in a reasonable amount of time, not to exceed 30 days.

If you have any questions regarding your warranty rights and responsibilities, you should contact Maruyama U.S., Inc. at **1-866-783-7400**, or warranty@maruyama-us.com.

COVERAGE

Maruyama Manufacturing Company, Inc. warrants to the ultimate purchaser and each subsequent purchaser that your small off-road engine will be designed, built and equipped, at the time of sale, to meet all applicable regulations. Maruyama Manufacturing Company, Inc. also warrants to the initial purchaser and each subsequent purchaser that your small off-road engine is free from defects in materials and workmanship which cause the engine to fail to conform with applicable regulations for a period of 5 years.

The 1997 and later model years, EPA requires manufacturers to small off-road engines for 5 years. These warranty periods will begin on the date the small off-road engine is purchased by the initial purchaser. If any emission-related part on your engine is defective, the part will be replaced by Maruyama Manufacturing Company, Inc. at no cost to the owner.

Maruyama Manufacturing Company, Inc. shall remedy warranty defects at any authorized Maruyama Manufacturing Company, Inc. engine dealer or warranty station. Any authorized work done at an authorized dealer or warranty station shall be free of charge to the owner if such work determines that a warranted part is defective. Any manufacturer-approved or equivalent replacement part may be used for any warranty maintenance or repairs on emission-related parts, and must be provided free of charge to the owner if the part is still under warranty, Maruyama Manufacturing Company, Inc. is liable for damages to other engine components caused by the failure of a warranted part still under warranty. EPA considers emission-related warranted parts to include all the parts listed below. These warranted parts are: the carburetor assembly, the ignition coil assembly, the ignition rotor, the spark plug, the catalytic converter, and the fuel tank.

MAINTENANCE REQUIREMENTS

The owner is responsible for the performance of the required maintenance as defined by the Maruyama Manufacturing Company, Inc. in the owner's manual.

LIMITATIONS

This Emission Control System Warranty shall not cover any of the following:

- (a) repair or replacement required because of misuse or neglect, lack of required maintenance, repairs improperly performed or replacements not conforming to Maruyama Manufacturing Company, Inc. specifications that adversely affect performance and/or durability, and alterations or modifications not recommended or approved in writing by Maruyama Manufacturing Company, Inc., and
- (b) replacement of parts and other services and adjustments necessary for required maintenance at and after the first scheduled replacement point.

TABLE OF CONTENTS

FOREWORD	4	MAINTENANCE.....	10
Warning label.....	4	STORAGE.....	13
ASSEMBLY INSTRUCTIONS	6	EMISSION CONTROL INFORMATION.....	14
BEFORE OPERATION.....	7	SPECIFICATIONS.....	14
OPERATING INSTRUCTIONS.....	9		

FOREWORD

This Owner's/Operator's Manual is designed to familiarize the operator with the various features and component parts of the equipment and to assist you with the assembly, operation and maintenance of your new Backpack Blower.

It is essential that any operator of this Backpack Blower product reads and understands the contents of this manual before using the Backpack Blower.

Important safety instructions will be identified by the following safety symbol:



Failure to comply with the instructions in this manual may result in serious injury or death.

For additional assistance, contact any local authorized BAD BOY dealer.

MANUAL SAFETY SYMBOLS

Throughout this manual and on the product itself, you will find safety alerts and helpful, information message preceded by symbols or key words. The following is an explanation of those symbols and key words and what they mean to you.

	<p>This symbol accompanied by the words WARNING and DANGER calls attention to an act or condition that can lead to serious personal injury to operator and bystanders.</p>
--	--

Warning label

- Always remove dirt or mud to make the indications legible.
- The following alarm labels are attached.



Read Owner's/Operator's Manual thoroughly.

Make sure you read the Owner's/Operator's Manual thoroughly prior to use.



Wear protective gear.

Wear protectors such as hat, safety glasses, ear plugs during work.



Cautions for high temperatures

Muffler of engine, fin of cylinder, etc. are at high temperatures. Don't touch them.



Prohibition of fire

Don't put a naked flame close to a place where supplying fuel or doing maintenance.



Cautions for exhaust gas.

Take care not to breathe in exhaust gas from the engine.



WARNING

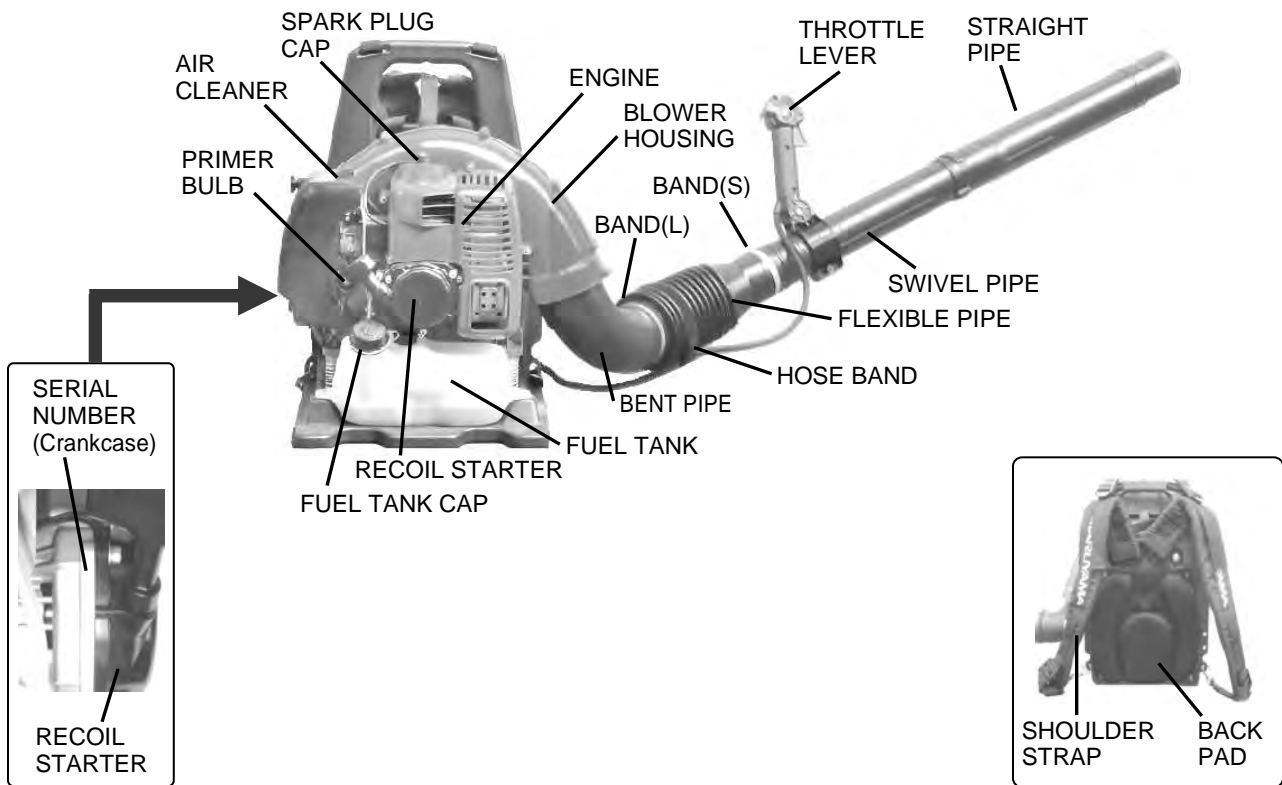


1. Read and understand this Owner's/Operator's Manual before using the Backpack Blower. Be thoroughly familiar with the proper use of the Backpack Blower.
2. Never allow children to operate the Backpack Blower. It is not a toy. Never allow adults to operate the unit without first reading the Owner's / Operator's Manual.
3. Become familiar with the controls and know how to stop the engine quickly.
4. Always use eye protection and hearing protection.
5. Keep the area of operation clear of all persons, particularly small children and pets.
6. Do not point the Blower pipe in the direction of people or pets.
7. Never operate a Backpack Blower when you are fatigued.
8. Never operate a Backpack Blower without proper guards or other protective safety devices in place.
9. Dress properly; do not wear loose clothing or jewelry that can be caught in moving parts. Always wear substantial footwear, long pant, and long sleeved shirt.
10. Gasoline is highly flammable; handle it carefully.
 - A. Do not smoke while handling gasoline.
 - B. Use an approved fuel container for storing the gasoline/oil mixture.
 - C. Do not fill the fuel tank when the engine is hot or running.
 - D. Fill the fuel tank outdoors and only up to one-half inch from the top of the tank. Do not fill the filler neck.
 - E. Wipe away any spilled gasoline before starting the engine.
11. Always be sure of your footing; keep a firm hold of the blower pipes, and walk, never run while operating a Backpack Blower.
12. Use the correct accessories. Do not use the Backpack Blower for any job except that for which it is intended.
13. Keep all fasteners tight and be sure the Backpack Blower is in safe working condition. Follow the maintenance instructions provided on page 10 - 13 of this manual.
14. Do not put hands or feet near or under the rotating parts. Keep clear at all times.
15. If the Backpack Blower should start to vibrate abnormally, stop the engine immediately and check for the cause. Vibration is generally a warning of trouble.
16. Avoid using the Backpack Blower near rocks, gravel, stones and similar matter in order to avoid dangerous flying debris.
17. Use the Backpack Blower only in daylight or good artificial light.
18. Do not allow bystanders in work area.
19. Do not operate without guard(s) in place.
20. Do not operate in unventilated area.
21. To reduce the risk of injury associated with the inhalation of dust, use a face filter mask in dusty conditions.
22. To reduce the risk of injury associated with contacting rotating part, stop the engine before installing or removing attachments.
23. To reduce the risk of fire and burn injury:
 - Move at least 10ft (3m) away from the fueling point before starting engine.
 - Always store gasoline in approved container.
24. The Exhaust gases are extremely hot. Keep flammable materials and objects at least 3ft. (1m) away from the direction that the exhaust gases are coming out of the muffler. Do not cover the exhaust gases with any items. There is a high risk of materials and objects catching fire and getting burned.
25. During the operation and idling of the unit, the engine is very hot. Also, for a while after the engine stops, the engine is still hot. Do not place the engine near flammable materials such as dried grass. There is a high risk of materials catching fire. Similarly, touching the engine can cause severe burns.

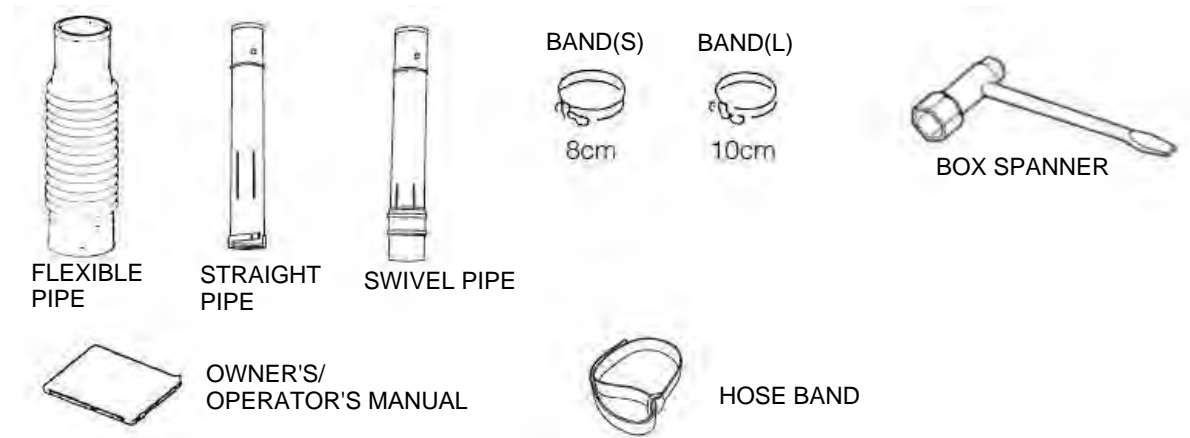
Operating techniques

- A. Operate power equipment only at reasonable hours - not early in the morning or late at night when people might be disturbed. Comply with times listed in local ordinances. Usual recommendations are 9:00 am. to 5:00 p.m., Monday through Saturday.
- B. To reduce noise levels, limit the number of pieces of equipment used at any one time.
- C. To reduce noise levels, operate Backpack Blower at the lowest possible throttle speed to do the job.
- D. Check your equipment before operation, especially the muffler, air intakes, and air filters.
- E. Use rakes and brooms to loosen debris before blowing.
- F. In dusty conditions, slightly dampen surfaces when water is available.
- G. Conserve water by using Backpack Blower instead of hoses for many lawn and garden applications, including areas such as gutters, screens, patios, grills, porches, and gardens.
- H. Watch out for children, pets, open windows, or freshly washed cars, and blow debris safely away.
 - I. Use the full blower nozzle extension so the air stream can work close to the ground.
- J. After using blowers and other equipment, CLEAN UP! Dispose of debris in trash receptacles.

ASSEMBLY INSTRUCTIONS



STEP #1) Locate and identify all the components (see sketch).



STEP #2) With a flat head screwdriver, use a BAND(L) to connect the FLEXIBLE PIPE to the BENT PIPE.
Next, using a BAND(S), connect the SWIVEL PIPE to the FLEXIBLE PIPE. Tighten with screwdriver.

STEP #3) Slides THROTTLE LEVER around SWIVEL PIPE, tighten retainer knob to secure. (see page 7).

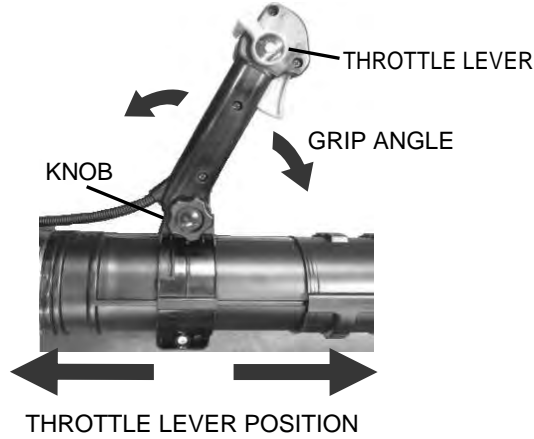
STEP #4) Assemble the STRAIGHT PIPE.

BEFORE OPERATION

Be sure the Backpack blower is correctly assembled and all fasteners and fittings are properly secured.

THROTTLE LEVER

Before operating the Backpack blower, release the knob, adjust the throttle grip to a position and grip to suit personal preference, tighten knob to secure in place.



When the Backpack blower is strapped to the back of the operator, the throttle lever of is located on the tube.

CAUTION!

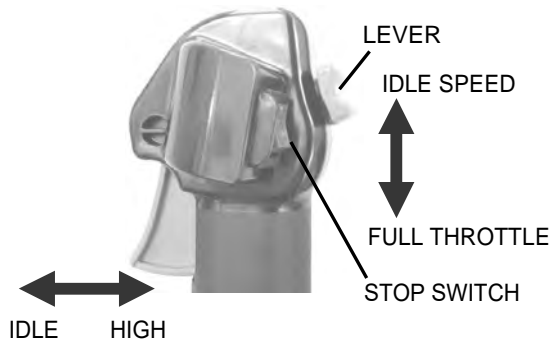
1. Shutting Engine Off

Before shutting the engine off, allow it to idle for a short while.

- Never stop the engine by closing the choke.
- Never stop the engine during operation while running above idle speed.

2. Transporting and Storage

- Shut off the engine and allow it to cool before transporting or storing the unit.
- Do not put the unit on dry grass or near any flammable object unless the engine is cold or cooled down.



The highest position of lever is "IDLE" setting, and the lowest position is the "FULL THROTTLE" setting.

RECOMMENDED FUEL TYPE

Use clean, fresh lead-free gasoline, including oxygenated or reformulated gasoline, with an octane rating of 89 or higher. To ensure freshness, purchase only the quantity of gasoline that can be used in 30 days. Use of lead-free gasoline results in fewer combustion chamber deposits and longer spark plug life. Use of premium grade fuel is not necessary or recommended.

CAUTION!

IMPORTANT: NEVER USE ALCOHOL, GASOHOL CONTAINING MORE THAN 10% ALCOHOL BECAUSE ENGINE FUEL SYSTEM DAMAGE COULD RESULT.

Do not use fuel additives other than those manufactured for fuel stabilization during storage such as BAD BOY's stabilizer/conditioner or a similar product.

BAD BOY's stabilizer/conditioner is a petroleum distillate based conditioner/stabilizer.

BAD BOY does not recommend stabilizers with an alcohol base such as ethanol, methanol or isopropyl. Additives should not be used to try to enhance the power or performance of machine.

FUEL: MIXING GASOLINE AND OIL

CAUTION! The engine used on this Backpack blower is of a two-stroke design. The internal moving parts of the engine, i.e., crankshaft bearings, piston pin bearings and piston to cylinder wall contact surfaces, require oil mixed with the gasoline for lubrication. Failure to add oil to the gasoline or failure to mix oil with the gasoline at the appropriate ratio will cause major engine damage which will void your warranty.

For your fuel premix, use BAD BOY Premium two-stroke Oil Mix, or equivalent ISO-L-EGD & JASO FD oil with a minimum 89 octane high quality gasoline. BAD BOY two-stroke oil is specially formulated to meet the requirements of high-performance, low-emission air-cooled two-stroke engines. Use of other oils may lead to service issues which may not be covered by your warranty.

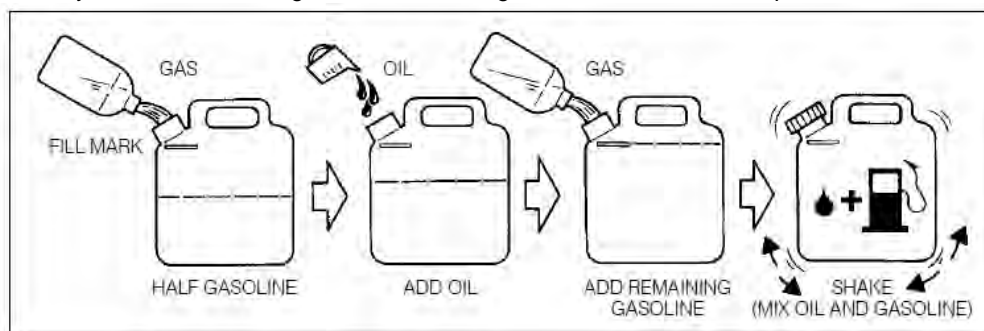
⚠ WARNING ⚠	
Gasoline is extremely flammable and can be explosive under certain conditions.	
Turn the engine switch OFF. Do not smoke. Make sure the area is well ventilated and free from any source of flame or sparks : this includes any appliance with a pilot light.	

Fuel Mixture: The fuel: oil ratio is 50 parts gasoline to 1 part oil or 50:1.

NOTE: Never use a mixing ratio less than 50:1 regardless of the oil package mixing instructions. Ratios less than 50:1, (for example, 60:1, 80:1, 100:1), reduce the amount of lubrication to the internal moving parts of the engine and can cause damage.

Gasoline	50:1 two-stroke oil
1 gallon	2.6 oz.
2 gallons	5.1 oz.
5 gallons	12.8 oz.
1 liter	20mL
5 liters	100mL

MIXING INSTRUCTIONS: Always mix fuel and oil in a clean container approved for gasoline. Mark the container to identify it as fuel mix for the Backpack Blower. Use regular unleaded gasoline and fill the container with half the required amount of gasoline. Pour the correct amount of oil into the container then add the remaining amount of gasoline. Close the container tightly and shake it momentarily to evenly mix the oil and the gasoline before filling the fuel tank on the Backpack Blower.



When refilling the Backpack Blower fuel tank, clean around the fuel tank cap to prevent dirt and debris from entering the tank during cap removal. Always shake the premix fuel container momentarily before filling the fuel tank.

Always use a spout or funnel when fueling to reduce fuel spillage. Only fill the tank to within 1/2 inch from the top of the tank. Avoid filling to the top of the tank filler neck.

NOTE:

1. Never mix gasoline and oil directly in the Backpack Blower fuel tank.

CAUTION!

1. Do not use National Marine Manufacturer's Association (NMMA) or BIA certified oils. This type of two-stroke engine oil does not have the proper additives for air-cooled, two-stroke engines and can cause engine damage.
2. Do not use automotive motor oil. This type of oil does not have the proper additives for air-cooled, two-stroke engines and can cause engine damage.

OPERATING INSTRUCTIONS

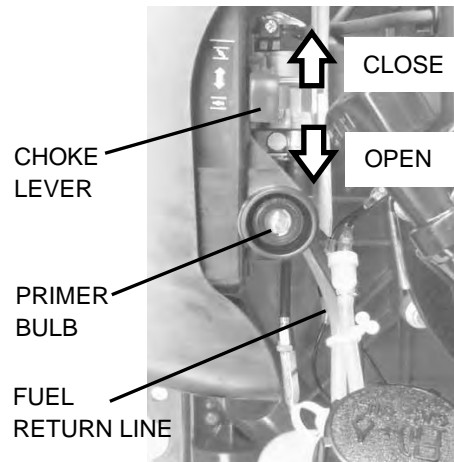
STARTING PROCEDURE

STEP #1)

Pump the "PRIMER BULB" under of the carburetor until fuel can be seen flowing through the "FUEL-RETURN LINE".

STEP #2)

Move the "CHOKE LEVER" fully upward to the closed position. If the engine is already warm, only a partial or open (no choke) choke setting may be required.



STEP #3)

Set the switch to the state in which "I" is pressed (see sketch). Set the THROTTLE LEVER at 1/2 speed.

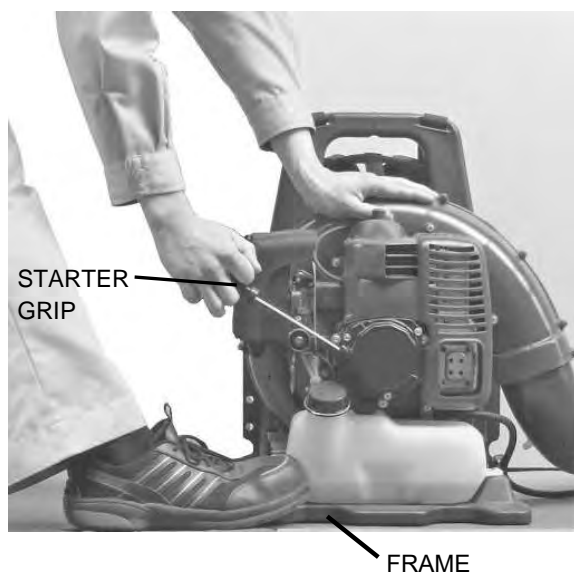


STEP #4)

Press down the "BLOWER HOUSING" and hold the "FRAME" with your right foot gently.

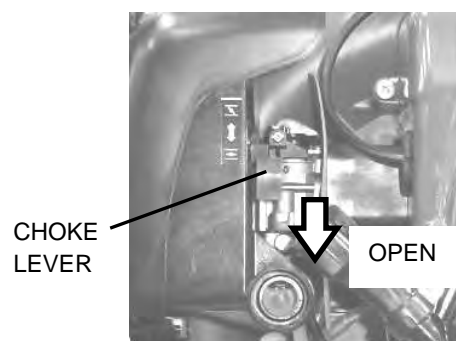
Pull the "STARTER GRIP" briskly to start the engine.

NOTE: Only short pulls are necessary. Never pull the starter cord to its fullest extension. Never let go of the starter grip until it is at the fully returned position.



STEP #5) Warming up the engine.

When the engine has started, slowly move the "CHOKE LEVER" fully downward to the open position. Allow the engine to "WARM-UP" at less than 1/2 speed.



If a BAD BOY engine fails to start after following the above procedures, contact an authorized BAD BOY dealer.

BLOWER OPERATION

When the engine has warmed-up, the Backpack Blower can be positioned on the back of the operator.

When the Backpack Blower is positioned and ready for operation, adjust the throttle to a speed required to accomplish the task.

! WARNING

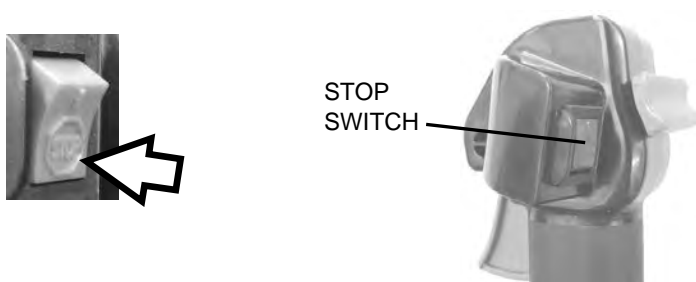
- Never operate Backpack Blower when you are fatigued.
- Never operate Backpack Blower without proper guards or other protective safety devices in place.

! WARNING

To prevent overheating and engine seizure, combustion heat is reduced by air entering the intake grille of the fan housing and is pushed by the blower fan through an opening in the fan housing over the cylinder fin area. The grille and cylinder fins must be kept clean of grass, dust, and any debris. Engine failure due to lack normal maintenance is not covered by warranty.

STOPPING THE ENGINE

Always run the engine at idle speed for a few minutes to allow cooling before stopping. To stop the engine, press the STOP SWITCH.



ADJUSTMENT

IDLING SPEED ADJUSTMENT

1. Idle speed is the only available adjustment.
2. Do not tamper with the carburetor setting to increase the maximum engine speed.
3. If adjustment is needed, have it performed by your authorized BAD BOY service dealer.

Carburetor adjustments are made at the factory and are not adjustable without disassembling the carburetor.

MAINTENANCE

Before each use, the Backpack blower should be inspected for proper assembly and fitness of all components. All fasteners should be checked for correct tightness. Always inspect for fuel leaks.

! WARNING Do not attempt to start or operate a Backpack Blower with a fuel leak.

Maintenance Period

! WARNING !

Always remove the spark plug cap from spark plug when servicing the engine to prevent accidental starting.

Maintenance	Daily	Every 25 hours	Every 50 hours	Every 100 hours
Check and replenish fuel	●			
Check for fuel leakage	●			
Check bolts, nuts and screws for tightness or missing	●			
Check engine idle speed adjustment	●			
■ Clean air filter element	●			
Check spark plug		●		
■ Check and clean fuel filter		●		
■ Remove dust and dirt from air intake guard		●		
■ Remove dust and dirt from cylinder fins		●		
● Clean spark arrester		●		
Tighten bolts and nuts			●	
● Remove carbon deposits in exhaust port			●	
Replace air filter				●
Replace fuel filter				●
Replace spark plug				●
● Remove carbon deposits on piston head and combustion chamber				●
● Remove carbon deposits in transfer ports				●
Replace fuel tube, fuel tank cap gasket	It is recommended to replace every 3 years			

●: Service to be performed by an authorized BAD BOY dealer.

■: Service more frequently under dusty conditions.

NOTE:

The service intervals indicated are to be used as a guide.

Service to be performed more frequently as necessary depending on operating condition.

Use BAD BOY standard 50:1 two-stroke engine oil.

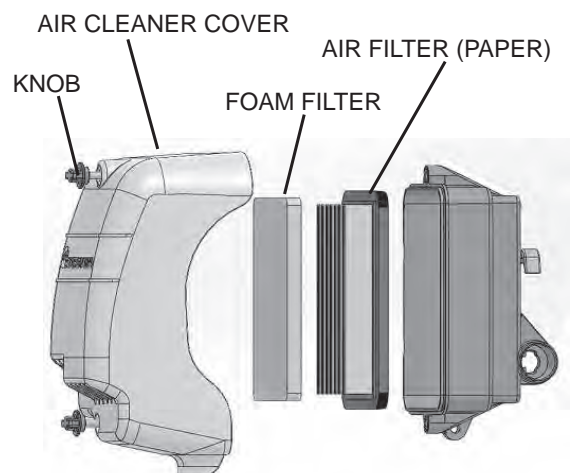
AIR FILTER

Maintenance Interval

- The air filter should be cleaned and inspected each time the Backpack Blower is used, or more often when working in extremely dusty conditions.
- Replace after every 100 hours of operation.

Air Filter Cleaning

1. Move the choke lever to the closed (\perp) position.
2. Loosen the knob and remove the air cleaner cover.
3. Remove the FOAM FILTER and AIR FILTER (PAPER) from the air cleaner body.
4. Clean the filter.
 - FOAM FILTER
Clean FOAM FILTER by gently tapping or cleaning with a suitable solvent the filter. Then completely dry before using again.
 - AIR FILTER (PAPER)
Clean AIR FILTER (PAPER) by gently tapping. Replace filter if it is damaged or very dirty.
5. Reassemble components in reverse order.
6. Reinstall the air cleaner cover and tighten the knob.



FUEL FILTER

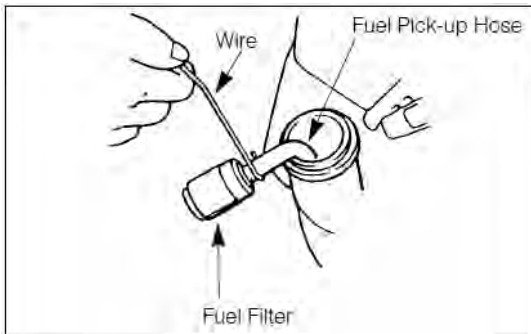
Maintenance Interval

The fuel filter should be cleaned and inspected for damage after each 25 hours of operation.

The fuel filter should be replaced after every 100 hours of operation.

Fuel Filter Replacement

The fuel filter is attached to the end of the fuel pick-up hose inside the fuel tank.



To replace the fuel filter:

1. Make sure the fuel tank is empty.
2. Remove the fuel cap.
3. Using a wire hook, gently pull the fuel filter out through the fuel filler opening.
4. Grasp the fuel hose next to the fuel filter fitting and remove the filter, but do not release the hose.
5. While still holding on to the fuel hose, attach the new fuel filter.
6. Drop the new fuel filter back into the fuel tank.
7. Make sure that the fuel filter is not stuck in a corner of the tank, and that the fuel hose is not doubled over (kinked) before refueling.

COOLING FINS

Maintenance Interval

The cylinder cooling fins should be cleaned after every 25 hours of operation, or once a week, whichever comes first.

Air must flow freely around and through the cylinder cooling fins to prevent engine overheating. Leaves, grass, dirt and debris buildup on the fins will increase the operating temperature of the engine, which can reduce engine performance and shorten engine life.

Cooling Fin Cleaning

1. With the engine at ambient (room) temperature, remove the four screws retaining the top cover, then remove the top cover.
2. Clean all dirt and debris from the cooling fins and from around the cylinder base.
3. Reinstall the top cover and tighten the knob.
Be sure to attach the grommet.

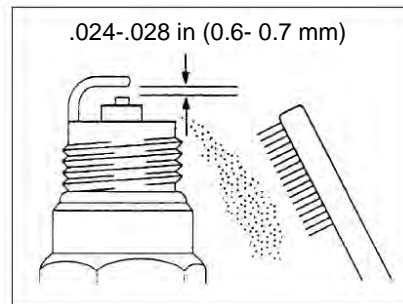
SPARK PLUG

Maintenance Interval

- The spark plug should be removed from the engine and checked after each 25 hours of operation.
- Replace the spark plug after every 100 hours of operation.

Spark Plug Maintenance

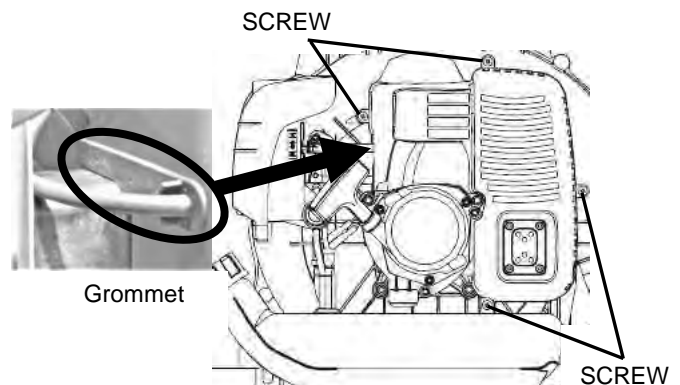
1. Twist the high tension lead boot on the spark plug back and forth a couple of times to loosen the boot, then pull the boot off of the spark plug.
2. Remove the spark plug.
3. Clean the electrodes with a stiff brush.



4. Adjust the electrode air gap to .024-.028 in (0.6-0.7 mm).
5. Replace the spark plug if it is oil-fouled, damaged, or if the electrodes are worn down.
6. Do not over tighten the spark plug when installing. The tightening torque is 95-148 in. lbs. (10.7-16.6 N·m).
7. Always use only the specific heat range of spark plug. This is particularly critical with today's lowemission engines. For best results, use the exact replacement.

Cooling Fin Cleaning

1. With the engine at ambient (room) temperature, remove the four screws retaining the top cover, then remove the top cover.
2. Clean all dirt and debris from the cooling fins and from around the cylinder base.
3. Reinstall the top cover and tighten the knob.
Be sure to attach the grommet.



SPARK ARRESTER

WARNING

POTENTIAL HAZARD

- Muffler surface becomes hot when Backpack Blower is in operation and remains hot for some time after the engine is shut off.

WHAT CAN HAPPEN

- Contact with hot muffler surfaces could cause a burn.

HOW TO AVOID THE HAZARD

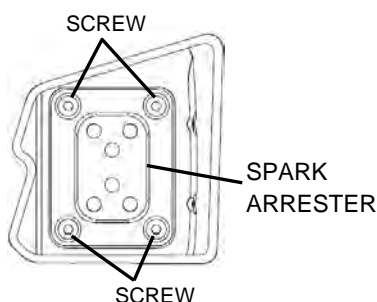
- Make sure the muffler is cool before inspecting and cleaning the spark arrester.

Maintenance Interval

- The spark arrester should be inspected and cleaned after every 25 hours of use.
- Replace the screen if it cannot be thoroughly cleaned, or if it is damaged.

Spark Arrester Maintenance

1. With the engine at ambient (room) temperature, loosen the knob and remove the air cleaner cover (see Cooling Fin Cleaning).
2. Remove the screw from the muffler.



3. Take the spark arrester out of the muffler, and then clean by brushing it.
4. Return the spark arrester to the muffler.
5. Tighten the screw securely.

GUARD

When air flow has dropped down during operation, stop the engine and inspect the intake guard for blocking by debris. Cleaning debris from intake guard.



Never use the blower without the GUARD of the blower. Before each use, check that the GUARD is attached in place and is free from any damage.

MUFFLER AND EXHAUST PORTS

Maintenance Interval

The muffler should be inspected and cleaned after each 50 hours of use.

Muffler Maintenance

The muffler should be removed and serviced after each one fifty (50) hours of use. At the same time, the exhaust ports should be cleaned and inspected. An AUTHORIZED BAD BOY DEALER should be contacted for this service.

GENERAL CLEANING AND TIGHTENING

WARNING

POTENTIAL HAZARD

- When engine is running, fan is rotating and other parts are moving.

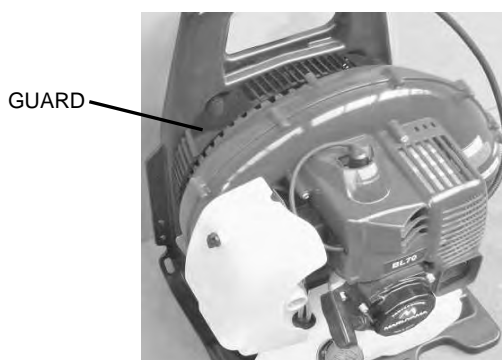
WHAT CAN HAPPEN

- Contact with rotating fan or other moving parts could cause serious personal injury or death.

HOW TO AVOID THE HAZARD

- Always turn off your Backpack Blower before you clean or perform any maintenance on it.

The BAD BOY Backpack Blower will provide maximum performance for many hours, if it is maintained properly. Good maintenance includes regular checking of all fasteners for correct tightness, and cleaning the entire machine. Contact an authorized BAD BOY dealer for additional maintenance suggestions.



STORAGE

For long-term storage of the Backpack Blower, first perform all regular maintenance procedures and needed repairs. Empty the fuel tank. Disconnect the fuel supply line from the carburetor and depress the primer bulb until fuel stops discharging from the fuel-return line.

Start the engine and allow it to run until it stops. Pull the starter cord a few times to remove any excess fuel from the engine. Remove the spark plug and insert a small amount of oil into the cylinder. Slowly pull the starter cord and bring the piston to a position closest to the spark plug hole. Re-install the spark plug. Apply a thin coating of oil to all the metal surfaces and store the Backpack Blower in a dry place.

EMISSION CONTROL INFORMATION

EMISSION CONTROL INFORMATION

To protect the environment in which we all live, BAD BOY has incorporated an exhaust emission control system.

EXHAUST AND EVAPORATIVE EMISSION CONTROL SYSTEM

The system reduces the amount of pollutants discharged into the atmosphere by the exhaust of this engine. The fuel tank, ignition and exhaust systems of this engine have been carefully designed and constructed to ensure an efficient engine with low exhaust pollutant and low evaporate emission levels. If you purchased your (Blower, Trimmer, Hedge Trimmer) in the state of California, the fuel tank includes low evaporative emission system.

MAINTENANCE AND WARRANTY

Proper maintenance is necessary to ensure that your engine will continue to have low emission levels. This Owner's/Operator's Manual contains those maintenance recommendations for your engine. Those items identified by the Periodic Maintenance Chart are necessary to ensure compliance with the applicable standards. As the owner of the (Blower, Trimmer, Hedge Trimmer), you have the responsibility to make sure that the recommended maintenance is carried out according to the instructions in this Owner's/Operator's Manual at your own expense. The BAD BOY Limited Emission Control System Warranty requires that you return your (Blower, Trimmer, Hedge Trimmer) to an authorized BAD BOY (Blower, Trimmer, Hedge Trimmer) dealer for remedy under warranty. Please read the warranty carefully, and keep it valid by complying with the owner's obligations it contains.

TAMPERING WITH EMISSION CONTROL SYSTEM PROHIBITED

Federal law and California State law prohibit the following acts or the causing there of:

(1) the removal or rendering inoperative by any person other than for purposes of maintenance, repair, or replacement, of any device or element of design incorporated into any new engine for the purposes of emission control prior to its sale or delivery to the ultimate purchaser or while it is in use, or (2) the use of the engine after such device or element of design has been removed or rendered inoperative by any person.

Among those acts presumed to constitute tampering are acts listed below: Do not tamper with the original emission related parts.

- Carburetor and internal parts
- Spark plug
- Magneto or electronic ignition system
- Fuel filter
- Muffler or any internal portion of the muffler
- Air cleaner element
- Fuel Tank

SPECIFICATIONS

Model	BB880
Dimensions L x W x H	14.4 x 19.1 x 21.3 in. (365 x 485 x 540 mm)
Dry Weight	21.0lbs (9.5 kg)
Engine Displacement	60.9 cm ³
Ignition System	Solid state
Carburetor	Diaphragm Type
Fuel Tank Capacity	0.55gal (2.1 L)
Gas to Oil Ratio	50:1
Spark Plug	NGK BPM8Y
Spark plug Gap	.024 -.028 in. (0.6 - 0.7 mm)

INDICE

PREFACIO	1	MANTENIMIENTO.....	7
Etiqueta de advertencia.....	1	ALMACENAMIENTO.....	10
INSTRUCCIONES PARA EL ARMADO.....	3	INFORMACION SOBRE CONTROL DE EMISIONES.....	11
ANTES DE OPERAR LA UNIDAD.....	4	ESPECIFICACIONES.....	11
INSTRUCCIONES DE OPERACION.....	6		

PREFACIO

Este Manual del Propietario u Operador está diseñado para familiarizar al operador con las diversas características y piezas componentes del equipo, y también para ayudarle con el armado, la operación y el mantenimiento de su nueva sopladora de cargar a la espalda.

Es esencial que todo operador de este producto, Sopladora de Espalda, lea y entienda el contenido de este manual antes de usar la Sopladora de Espalda.

Las instrucciones importantes sobre seguridad se identificarán mediante el siguiente icono:

El no observar las instrucciones de este manual, puede producir lesiones graves o incluso la muerte.

Para asistencia adicional, póngase en contacto con cualquier distribuidor local autorizado de BAD BOY.

SIMBOLOS DE SEGURIDAD DEL MANUAL

En este manual y en el producto mismo, usted encontrará alertas de seguridad y útiles mensajes informativos precedidos por iconos o palabras claves. A continuación una explicación de esos iconos y de las palabras claves y de lo que significan para usted.



Este icono, acompañado de las palabras ADVERTENCIA y PELIGRO llama su atención hacia un acto o una condición que puede conducir a que el operador o quienes están cerca, sufran lesiones graves.

Etiqueta de advertencia

- Limpie la suciedad o el barro de la unidad para que las indicaciones siempre estén legibles.
- Encontrará las siguientes etiquetas de alarma fijadas en la unidad.



Lea detenidamente el Manual del Propietario u Operador.
Asegúrese de haber leído completamente el Manual del Propietario u Operador antes de operar la unidad.



Prevención de incendios.
Nunca maneje combustible o haga mantenimiento de la unidad cerca de un fuego abierto.



Precauciones con las piezas calientes.
El silenciador del motor, las aletas de cilindro, y otras piezas de la unidad funcionan a altas temperaturas. No las toque.



Interdiction du feu.

Use en el trabajo elementos de protección tales como: casco, gafas de seguridad, tapones para los oídos, etc.,



Precauciones con el gas de escape.

Tenga cuidado de no respirar el gas de escape del motor de la unidad.



ADVERTENCIA

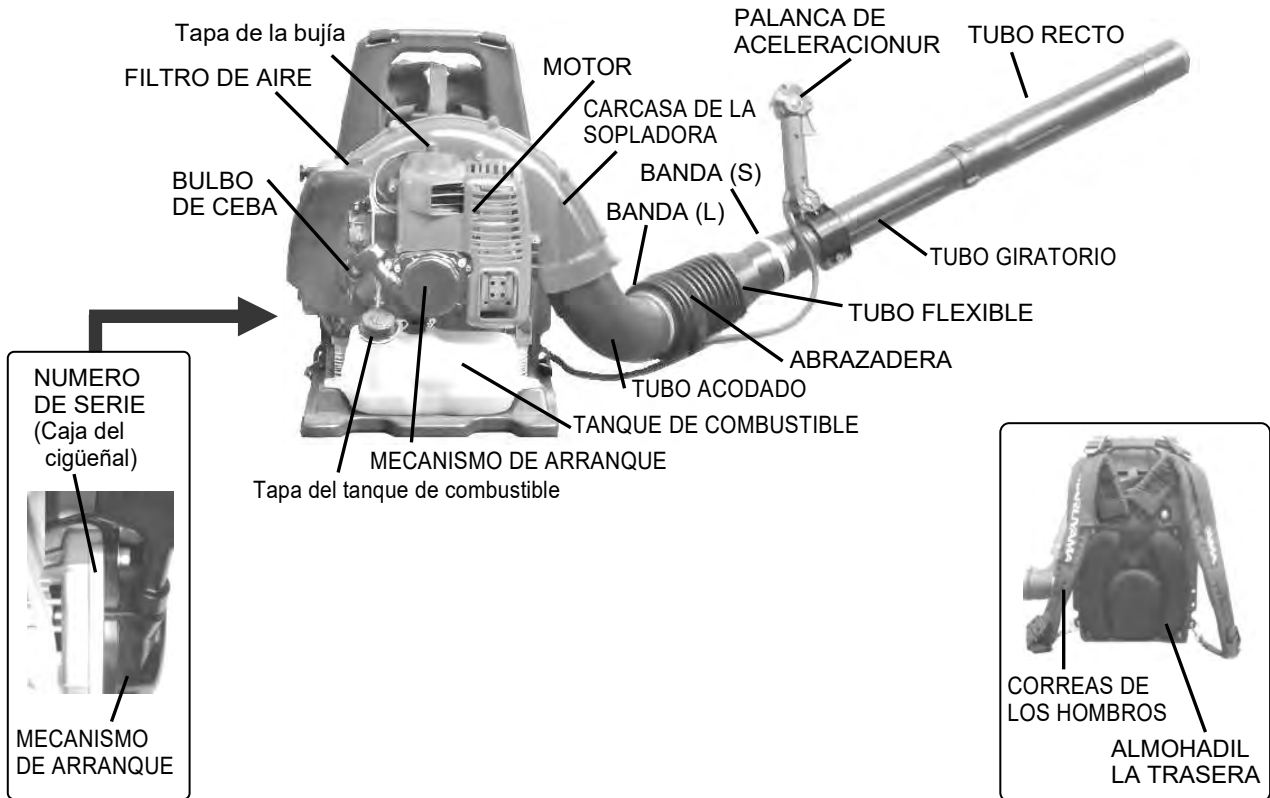


1. Antes de usar la sopladora, lea cuidadosamente y entienda a cabalidad este Manual del Propietario u Operador. Familiarícese a fondo con el uso adecuado de la sopladora.
2. Nunca permita que los niños operen esta sopladora. No es un juguete. Nunca permita que los adultos operen la unidad sin haber leído antes el Manual del Propietario u Operador.
3. Familiarícese con los controles y aprenda cómo apagar el motor rápidamente.
4. Use siempre la protección para los ojos y la protección para los oídos.
5. Mantenga el área de operación libre de personas, particularmente de niños pequeños y de mascotas.
6. No dirija la boquilla de la sopladora hacia personas o mascotas.
7. Nunca opere una sopladora si usted está fatigado.
8. Nunca opere una sopladora sin tener puestas o en su lugar, las protecciones adecuadas y los demás dispositivos de seguridad.
9. Vístase adecuadamente; no use prendas de vestir muy amplias, ni joyas que puedan quedar atrapadas en las piezas móviles. Siempre use calzado firme, pantalones largos, y camisa de manga larga.
10. La gasolina es altamente inflamable, manéjela cuidadosamente.
 - A. No fume mientras maneja gasolina.
 - B. Use un recipiente aprobado para combustibles, para almacenar la mezcla de gasolina y aceite.
 - C. No llene el tanque de combustible cuando el motor está caliente o en marcha.
 - D. Llene el tanque de combustible estando en el exterior y únicamente hasta media pulgada antes del borde superior del tanque. No llene el cuello de llenado.
 - E. Antes de poner el motor en marcha, limpie la gasolina que se haya derramado.
11. Siempre asegúrese de estar bien calzado; sostenga con firmeza los tubos de la sopladora, y camine, nunca corra, cuando opere una sopladora.
12. Use los accesorios correctos. No use la sopladora para realizar una labor diferente de aquellas para las cuales se ha fabricado la sopladora.
13. Mantenga apretados todos los sujetadores y asegúrese de que la sopladora esté en condiciones seguras de operación. Observe las instrucciones de mantenimiento que se suministran en las páginas 7 – 10 de este manual.
14. No ponga las manos ni los pies cerca ni debajo de las piezas giratorias. Manténgase fuera de su alcance en todo momento.
15. Si la sopladora empezara a vibrar en forma anormal, detenga el motor inmediatamente y revise la unidad para descubrir la causa. Generalmente la vibración es la señal de un problema.
16. Evite el uso de la sopladora cerca de rocas, gravilla, piedras y material similar, con el objeto de evitar el peligro de desechos lanzados.
17. Use la sopladora únicamente a la luz del día o bajo una buena luz artificial.
18. No permita la presencia de personas en el área de trabajo.
19. No opere sin tener puestas las debidas protecciones.
20. No opere en un área sin ventilación.
21. Para reducir el riesgo de lesiones asociadas con la inhalación de polvo, bajo condiciones polvorientas use máscara con filtro facial.
22. Para reducir el riesgo de lesiones, asociadas con contactos con piezas giratorias, detenga el motor antes de instalar o de remover accesorios.
23. Para reducir el riesgo de incendio y quemaduras:
 - Antes de dar arranque al motor, aléjese por lo menos 10 pies (3 metros) del punto de abastecimiento de combustible.
 - Siempre almacene la gasolina en un recipiente aprobado.
24. Los gases de escape son extremadamente calientes. Mantenga los materiales y objetos inflamables al menos de 3 pies (1m) de distancia de la dirección en que los gases de escape que salen de silenciador. No cubra el escape de gases con ningún artículo. Existe un alto riesgo de que los materiales y objetos se encendiendo y se quemen.
25. Durante la operación y el ralentí de la unidad, el motor está muy caliente. También, tiempo después que el motor se detenga, el motor estará bastante caliente. No coloque el motor cerca de materiales inflamables como pasto seco. Existe un alto riesgo de que estos materiales se enciendan. De igual manera al tocar el motor se corre el riesgo de quemarse.

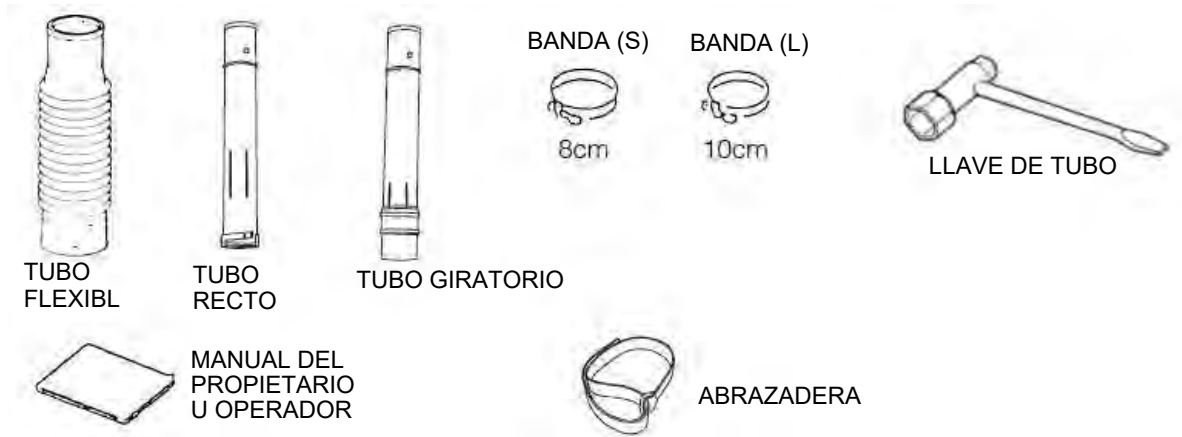
Técnicas de Operación

- A. Únicamente opere el equipo en horas razonables – ni temprano en la mañana ni tarde en la noche, cuando puede molestar a los demás. Cumpla los horarios que aparecen en las ordenanzas locales. Las recomendaciones usuales son de 9:00 a.m. a 5:00 p.m., de lunes a sábado.
- B. Para reducir los niveles de ruido, limite el número de piezas de equipo usadas al mismo tiempo.
- C. Para reducir los niveles de ruido, opere las sopladoras a la más baja velocidad posible para realizar el trabajo.
- D. Revise su equipo antes de la operación, especialmente el silenciador de ruido, las entradas de aire y los filtros de aire.
- E. Use rastrillos y escobas para aflojar los desechos antes de soplar.
- F. Bajo las condiciones polvorientas, humedece las superficies cuando agua es aprovechable.
- G. Conserve el agua usando las sopladoras en lugar de mangueras y agua lanzada en muchas aplicaciones de limpieza de césped y jardín, incluyendo áreas tales como cunetas, rejillas, patios, parrillas, porches y jardines.
- H. Tenga cuidado con los niños, mascotas, ventanas abiertas, o carros recién lavados, y sople los desechos fijándose que se alejen sin presentar peligro.
- I. Use toda la extensión de la boquilla de la sopladora de manera que la corriente de aire pueda trabajar cerca del suelo.
- J. Después de usar las sopladoras y demás equipos, ¡LIMPIELAS! Bote los desechos en receptáculos para la basura.

INSTRUCCIONES PARA EL ARMADO



PASO 1) Localice e identifique todos los componentes (vea dibujo).



PASO 2) Con un destornillador de cabeza plana, use un BANDA para conectar el TUBO FLEXIBLE a la TUBO ACODADO.

A continuación, utilizando una BANDA, conectar el TUBO GIRATORIO para el TUBO FLEXIBLE. Apriete con un destornillador. (vea el bosquejo).

PASO 3) Desliza la PALANCA DEL ACELERACIÓN alrededor del TUBO GIRATORIO, apriete la pomo del retenedor para asegurarlo. (vea las instrucciones en la página 4).

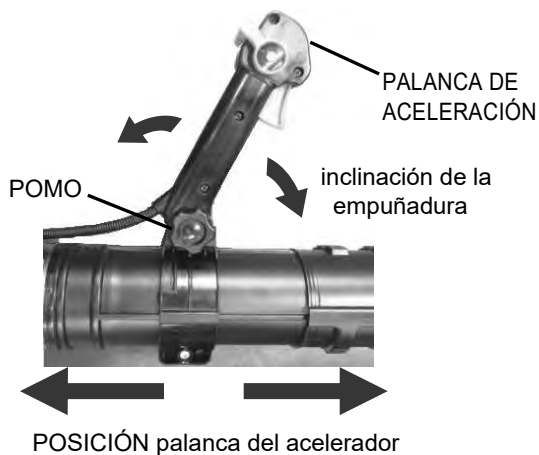
PASO 4) Montar el TUBO RECTO.

ANTES DE OPERAR LA UNIDAD

Asegúrese de que la sopladora esté correctamente armado y de que todos los sujetadores y acoples estén bien asegurados.

PALANCA DE ACELERACION

Antes de utilizar la mochila soplador, suelte el mando, ajuste del puño del acelerador a la posición y agarre para adaptarse a las preferencias personales, apriete la pomo para asegurarla en su lugar.



Cuando el soplador motorizado se sujeta a la parte posterior del operador, la palanca del acelerador se encuentra en el tubo.

¡PRECAUCIÓN!

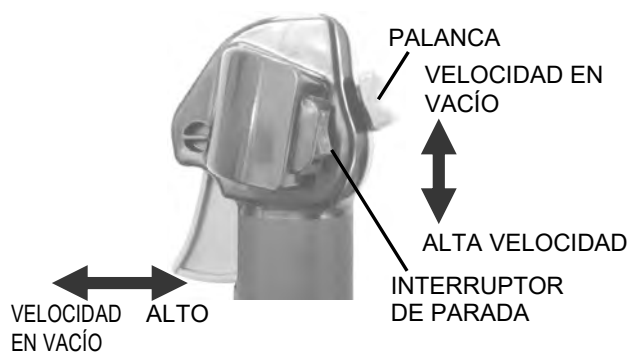
1. Apagado del motor

Antes de apagar el motor, póngalo en marcha al vacío por un corto tiempo.

- Nunca apague el motor cerrando el regulador de aire.
- Nunca apague el motor mientras esté operando a velocidad mayor de la de marcha al vacío.

2. Transporte y almacenamiento

- Apague el motor y déjelo enfriar antes de transportar o guardar la unidad.
- No coloque la unidad sobre grama seca o cerca de cualquier material inflamable antes de que el motor se haya enfriado.



La posición más baja de la palanca es "ALTA VELOCIDAD", y la posición más alta es el "VELOCIDAD EN VACÍO".

Tipo de combustible recomendado

Utilice gasolina limpia, fresca y sin plomo, incluida la gasolina oxigenada o reformulada, con un octanaje igual o superior a 89. Para garantizar la frescura, compre sólo la cantidad de gasolina que pueda utilizar en 30 días. El uso de gasolina sin plomo genera menos depósitos en la cámara de combustión y prolonga la vida de la bujía. No es necesario ni se recomienda el uso de gasolina súper.

¡PRECAUCIÓN!

IMPORTANT: NUNCA USE ALCOHOL, GASOHOL QUE CONTENGA MÁS DE 10% DE ALCOHOL A QUE ESTO PODRÍA RESULTAR EN DAÑO AL SISTEMA DE COMBUSTIBLE DEL MOTOR.

NO UTILICE ADITIVOS DE COMBUSTIBLE DISTINTOS A LOS FABRICADOS PARA LA ESTABILIZACIÓN DURANTE SU ALMACENAMIENTO, COMO EL ESTABILIZANTE/ACONDICIONADOR DE BAD BOY O UN PRODUCTO SIMILAR. EL ESTABILIZANTE/ ACONDICIONADOR DE BAD BOY SE BASA EN UN DESTILADO DE PETRÓLEO.

BAD BOY NO RECOMIENDA ESTABILIZANTES CON UNA BASE DE ALCOHOL COMO EL ETANOL, METANOL O ISOPROPIL. NO DEBERÍAN EMPLEARSE ADITIVOS PARA INTENTAR MEJORAR LA POTENCIA O EL RENDIMIENTO DE LA MÁQUINA.

COMBUSTIBLE: MEZCLA DE GASOLINA Y ACEITE

PRECAUCION! El motor usado en esta Sopladora de Espalda es un diseño de dos tiempos. Las piezas móviles internas del motor, esto es, los cojinetes del cigüeñal, los cojinetes del pasador del pistón y las superficies de la pared de contacto entre el pistón y el cilindro, requieren aceite mezclado con gasolina para su lubricación. Si no se agrega aceite a la gasolina, o si la mezcla de gasolina y aceite no se realiza en la proporción correcta, se causará un daño grave al motor y se anulará la garantía. Para su mezcla previa de combustible, use la mezcla de aceite de 2 tiempos Premium de BAD BOY, o equivalente al aceite ISO-L-EGD y JASO FD con gasolina de alta calidad de mínimo de 89 octanos. El aceite de 2 tiempos de BAD BOY está formulado especialmente para satisfacer los requerimientos de los motores de 2 tiempos enfriados por aire, de baja emisión y de alto rendimiento. El uso de otros aceites puede llevar a problemas de servicio que podrían no ser cubiertos por su garantía.

⚠ ADVERTENCIA ⚠

La gasolina es extremadamente inflamable y puede ser explosiva en ciertas condiciones. Gire el interruptor de arranque del motor a la posición de APAGADO (OFF). No fume. Asegúrese de que el área esté bien ventilada y libre de cualquier fuente de llama o chispas: esto incluye cualquier artefacto de gas con llama piloto.

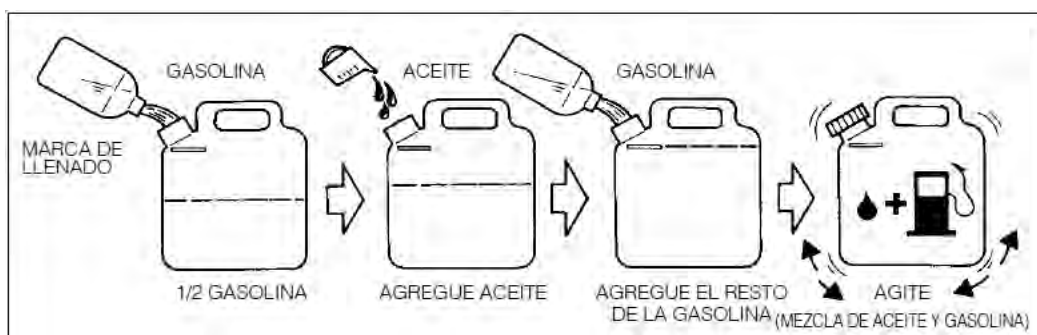
Mezcla de combustible: Combustible: La relación es de 50 partes de gasolina por 1 parte de aceite o 50:1.

NOTA: Nunca use una relación de mezcla de menos de 50:1 independientemente de las instrucciones de mezcla del paquete de aceite. Las relaciones de menos de 50:1 (por ejemplo; 60:1, 80:1, 100:1) reducen la cantidad de lubricación a las partes móviles internas del motor y pueden causar daños.

Gasolina	Aceite para motores de dos tiempos (50:1)
1 galón	2,6 onzas
2 galones	5,1 onzas
5 galones	12,8 onzas

1 litro	20mL
5 litros	100mL

INSTRUCCIONES DE MEZCLA: Siempre mezcle el combustible y el aceite en un recipiente limpio, aprobado para gasolina. Marque el recipiente para identificarlo como mezcla de combustible para Sopladora de Espalda. Usando gasolina regular sin plomo, llene el recipiente con la mitad de la cantidad de gasolina que se requiere. Agregue la cantidad correcta de aceite al recipiente, luego agregue la cantidad restante de gasolina. Cierre el recipiente y agítelo momentáneamente para mezclar bien el aceite y la gasolina antes de llenar el tanque de la Sopladora de Espalda.



Cuando llene de nuevo el tanque de combustible, limpie alrededor de la tapa del tanque para evitar que mugre y desechos entren al tanque cuando está destapado. Siempre agite momentáneamente el recipiente con la premezcla de combustible, antes de llenar el tanque.

Use siempre una boquilla o embudo cuando reabastezca el combustible, para reducir las salpicaduras. Llene el tanque sólo hasta que falte 1/2 pulgada (6 – 12 mm) para llegar al borde. No llene hasta el final del cuello del tanque.

NOTA:

1. Nunca mezcle gasolina y aceite directamente en el el tanque de la sopladora de espalda.

¡CUIDADO!

1. No use aceites certificados por la Asociación Nacional de Fabricantes Marinos (NMMA) o BIA. Estos tipos de aceites para motores de dos tiempos no tienen los aditivos adecuados para motores de dos tiempos, enfriados por aire y pueden causar daño en el motor.
2. No use aceite motor para automóviles. Este tipo de aceite no tiene los aditivos adecuados para motores de dos tiempos, enfriados por aire y puede causar daño al motor.

INSTRUCCIONES DE OPERACION

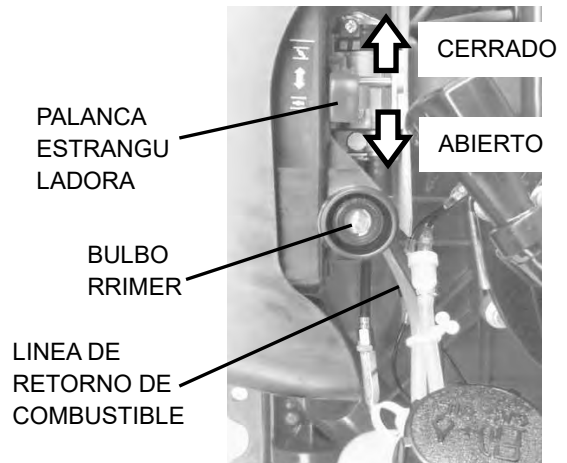
PROCEDIMIENTO DE ARRANQUE

PASO 1)

Bombee el "BULBO DE CEBA" bajo el carburador, hasta que el combustible se vea fluir a través de la "LINEA DE RETORNO DE COMBUSTIBLE".

PASO 2)

Mueva la "PALANCA DE REGULACION DE AIRE" totalmente hacia abajo, hasta la posición cerrada. Si el motor ya está caliente, solo se necesitará una graduación parcial o abierta (sin regulación de aire).



PASO 3)

Coloque el interruptor en el estado en el que se presiona "I" (vea el esquema). Ajuste la palanca del acelerador a 1/2 de la velocidad.



PASO 4)

Presione hacia abajo la "CARCASA DE LA SOPLADORA" y mantenga el "marco" con el pie derecho con suavidad.

Tire vigorosamente del "ASIDERO DEL ARRANCADOR" para arrancar el motor.

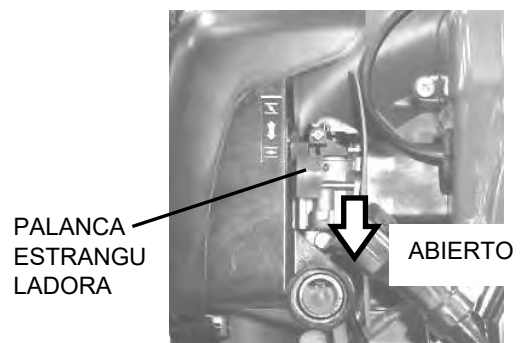
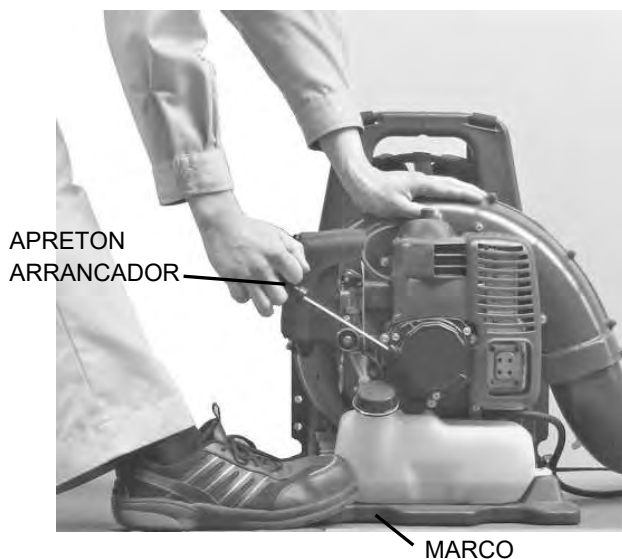
NOTA: Sólo se necesitan tiros cortos. Nunca tire del cordón de arranque hasta su máxima extensión. Nunca suelte la manija de arranque hasta que ésta no haya regresado a su posición inicial.

PASO 5)

Caliente el motor.

Cuando el motor haya arrancado, mueva lentamente la PALANCA ESTRANGU totalmente hacia abajo, hasta la posición abierta.

Permita que el motor se "CALIENTE" por lo menos a media velocidad.



Si un motor BAD BOY no arranca después de seguir los procedimientos anteriores, póngase en contacto con un distribuidor BAD BOY autorizado.

OPERACIÓN DE LA SOPLADORA

Cuando el motor se ha calentado, la Sopladora se puede colocar en la espalda del operador.

Cuando la Sopladora está colocada y lista para la operación, ajuste el regulador a la velocidad requerida para realizar la tarea.

⚠ ADVERTENCIA

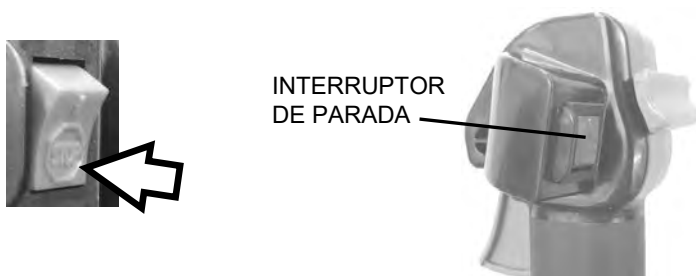
- Nunca opere una Sopladora de Espalda cuando esté fatigado.
- Nunca opere una Sopladora de Espalda sin tener en su lugar las protecciones adecuadas u otros dispositivos de seguridad.

⚠ ADVERTENCIA

Para evitar recalentamiento y colapso del motor, el aire de enfriamiento entra a través de la rejilla trasera de la carcasa del ventilador y el ventilador de la sopladora lo impulsa a través de una abertura en la carcasa del ventilador, sobre el área de las aletas del cilindro, sacando así el calor de la combustión. La rejilla y las aletas del cilindro deben mantenerse libres de pasto, polvo y de todo desecho. Esta garantía no cubre falla del motor debida a falta de "Mantenimiento Normal".

APAGADO DEL MOTOR

Siempre haga funcionar el motor a velocidad de marcha en vacío durante unos pocos minutos para permitir que se enfríe antes de apagarlo. Para detener el motor, presione el INTERRUPTOR DE PARADA.



AJUSTE

AJUSTE DE MARCHA EN VACIO

1. La marcha en vacío es el único ajuste posible.
2. No manipule indebidamente la graduación del carburador para aumentar la velocidad máxima del motor.
3. Si necesita ajustarlo, hágalo a su comerciante autorizado de servicios de BAD BOY. El carburador es ajustado en la fábrica; por lo tanto, no puede hacerlo sin desarmar.

MANTENIMIENTO

Antes de cada uso, es necesario inspeccionar la sopladora para asegurarse de que esté adecuadamente armado y todos sus componentes estén firmemente colocados. Revise todos los sujetadores para verificar que estén correctamente apretados. Siempre revise si hay fugas de combustible.

⚠ ADVERTENCIA

No intente arrancar u operar una sopladora que muestre fuga de combustible.

CUADRO DE MANTENIMIENTO PERIODICO

⚠ ADVERTENCIA ⚠

Siempre retire de la bujía la tapa cuando dé servicio al motor para evitar que el motor arranque accidentalmente.

Mantenimiento	Diariamente	Cada 25 horas	Cada 50 horas	Cada 100 horas
Comprobar si hay combustible y llenar	●			
Comprobar si hay fugas de combustible	●			
Comprobar si faltan o si es necesario apretar los pernos, las tuercas y los tornillos	●			
Comprobar el ajuste de velocidad en ralentí del motor	●			
■ Limpiar el filtro de aire	●			
Revise la bujía		●		
■ Revise y limpie el filtro de combustible		●		
■ Eliminar el polvo y la suciedad del Protector del ventilador		●		
■ Eliminar el polvo y la suciedad de las aletas del cilindro		●		
● Limpiar el matachispas		●		
Apretar las tuercas y los tornillos			●	
● Eliminar los depósitos de carbón del orificio de escape			●	
Cambiar el filtro de aire				●
Cambiar el filtro del combustible				●
Cambiar el bujía				●
● Eliminar los depósitos de carbón del cabezal del pistón y de la cámara de combustión				●
● Eliminar los depósitos de carbón de los orificios de paso.				●
Cambiar el tubo del combustible, la junta de la tapa del depósito de combustible	Se recomienda cambiar cada 3 años			

●: El mantenimiento ha de ser realizado por un distribuidor autorizado de BAD BOY.

■: Realizar el mantenimiento con mayor frecuencia en condiciones de mucho polvo.

NOTA:

Los intervalos de mantenimiento indicados se utilizarán a modo de referencia.

El mantenimiento se realizará con mayor frecuencia, según se precise, en función de las condiciones de funcionamiento.

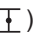
Utilice aceite BAD BOY estándar (50:1) para motor de dos tiempos.

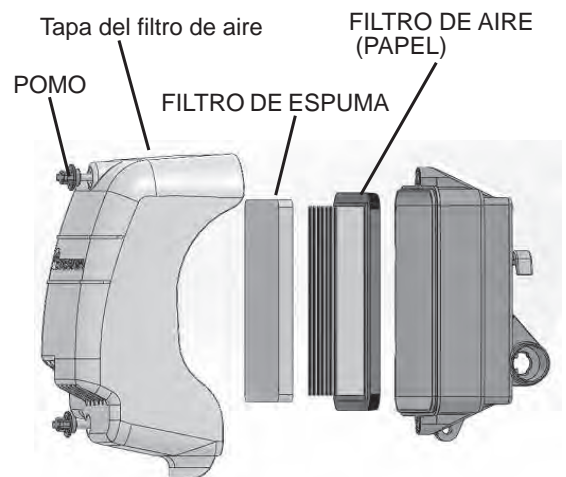
FILTRO DE AIRE

Intervalo de mantenimiento

- Debería limpiar y examinar el filtro de aire cada vez que utilice el soplador, o con más frecuencia cuando trabaje en condiciones de mucho polvo.
- Cámbielo tras 100 horas de funcionamiento.

Limpieza del filtro de aire

1. Mueva la palanca del estrangulador hasta la posición "Close" ().
2. Suelte el pomo y retire la tapa del filtro de aire.
3. Retire el FILTRO DE ESPUMA y el FILTRO DE AIRE (PAPEL) del cuerpo del filtro de aire.
4. Clean the filter.
 - Filtro de espuma
Limpiar filtro de espuma golpeando suavemente o limpiar con un disolvente adecuado del filtro. Entonces completamente seco antes de volver a usarla.
 - Filtro de aire (PAPEL)
FILTRO DE AIRE LIMPIO (PAPEL) golpeando suavemente.
Sustituir el filtro si está dañado o muy sucio.
5. Montar los componentes en orden inverso.
6. Reinstale la tapa del filtro de aire y ajuste el pomo.



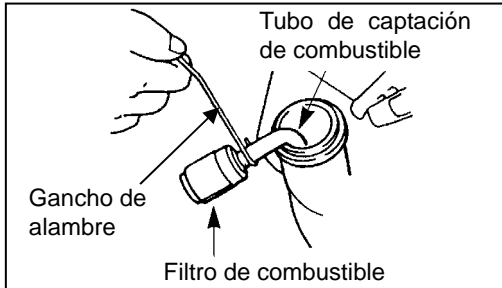
Filtro de combustible

Intervalo de mantenimiento

- Debería limpiar y examinar si el filtro del combustible está dañado después de cada 25 horas de funcionamiento.
- El filtro de combustible debería cambiarse tras 100 horas de funcionamiento.

Sustitución del filtro de combustible

El filtro de combustible está fijado al extremo del tubo de captación de combustible en el interior del depósito.



Para cambiar el filtro del combustible:

1. Asegúrese de que el depósito esté vacío.
2. Retire la tapa del depósito.
3. Con un gancho, extraiga con cuidado el filtro a través del orificio de llenado de combustible.
4. Agarre el tubo de combustible situado junto al racor del filtro y extraiga el filtro, pero sin soltar el tubo.
5. Coloque el nuevo filtro manteniendo el tubo de combustible aún agarrado.
6. Deje caer el nuevo filtro en el depósito de combustible.
7. Antes de volver a cargar combustible, asegúrese de que el filtro no esté atascado en un rincón del depósito, y de que el tubo de combustible no esté doblado (retorcido).

Aletas de refrigeración del cilindro

Intervalo de mantenimiento

Debería limpiar las aletas de refrigeración del cilindro después de cada 25 horas de funcionamiento o una vez a la semana, lo que ocurra primero.

El aire debe fluir libremente alrededor y a través de las aletas de refrigeración del cilindro para evitar el sobrecalentamiento del motor. El depósito de hojas, hierba, suciedad y residuos en las aletas aumentará la temperatura de funcionamiento del motor. Esto puede reducir el rendimiento y la vida del motor.

Limpieza de las aletas de refrigeración

1. Con el motor a temperatura ambiente, retire los cuatro tornillos que sujetan la cubierta superior, a continuación, retire la cubierta superior.
2. Limpiar toda la suciedad y los residuos de las aletas de refrigeración y alrededor de la base del cilindro.
3. Vuelva a instalar la cubierta superior y apriete el pomo. Asegúrese de conectar el enchufe.

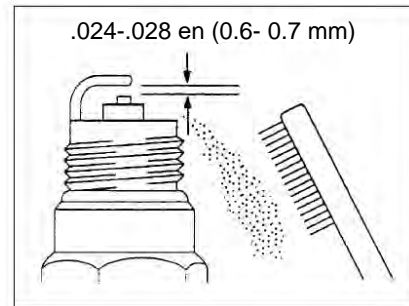
Bujía

Intervalo de mantenimiento

- La bujía debería retirarse del motor y comprobarse tras 25 horas de funcionamiento.
- Cámbiela tras 100 horas de funcionamiento.

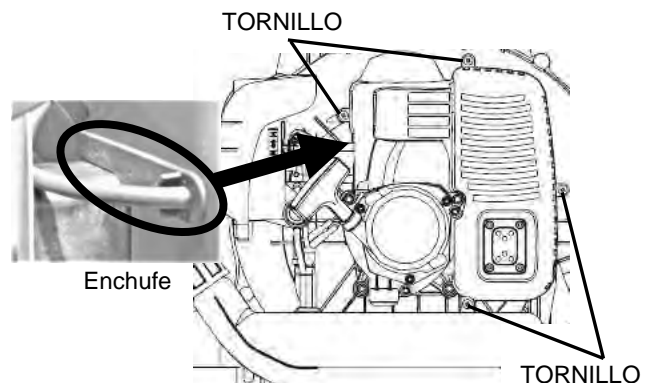
Mantenimiento de la bujía

1. Mueva la pipa de alta tensión de la bujía de atrás adelante una cuantas veces para que está se aligere y saquela fuera de la bujía.
2. Quite la bujía.
3. Limpie los electrodos con un cepillo duro.



4. Ajuste la distancia del electrodo de tal manera que quede de entre .024-.028 en. (0.6 - 0.7 mm) de distancia.
5. Cambie la bujía si está sobre engrasada, dañada o si los electrodos están desgastados.
6. No apriete demasiado la bujía cuando la monte sobre el motor. La fuerza de torque es de 95-148 en-lbs. (10.7 - 16.6 N•m).
7. Use siempre sólo el rango de calor específico de bujía. Esto es particularmente crítico con baja emisión de hoy motores. Para obtener los mejores resultados, utilice el exacto reemplazo.

Limpieza de las aletas de refrigeración



Matachispas

⚠ ADVERTENCIA

RIESGO POTENCIAL

· La superficie del silenciador se calienta cuando el soplador está en marcha y permanece caliente durante un tiempo después de haber apagado el motor.

QUÉ PUEDE SUCEDER

· El contacto con la superficie del silenciador caliente puede ocasionar quemaduras.

CÓMO EVITAR EL PELIGRO

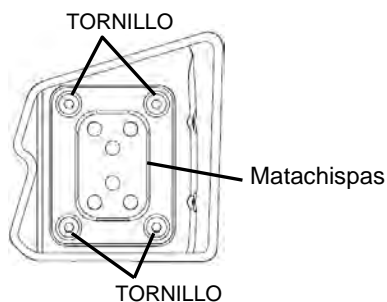
· Asegúrese de que el silenciador esté frío antes de examinar y limpiar el matachispas.

Intervalo de mantenimiento

- Debería examinar y limpiar el matachispas después de cada 25 horas de uso.
- Cambie el filtro si no puede limpiarlo a fondo o si está dañado.

Mantenimiento del matachispas

1. Con el motor a temperatura ambiente, afloje el POMO y retire la tapa del filtro de aire.
2. Quite el tornillo del silenciador.



3. Saque el parachispas del silenciador y a continuaci límpielo cepillándolo.
4. Instale de nuevo el parachispas en el silenciador.
5. Apretar el tornillo.

Protector del ventilador

Cuando el flujo de aire disminuya durante el funcionamiento, apague el motor y inspeccionar la protector del ventilador para el bloqueo por los escombros.

Limpieza de restos de protector del ventilador.

⚠ ADVERTENCIA

Nunca utilice el soplador sin el protector del ventilador.

Antes de cada uso, verifique que el protector está unido en su lugar y está libre de cualquier daño.

PUERTOS DE ESCAPE Y SILENCIADOR

Intervalo de mantenimiento

El silenciador debe inspeccionarse y limpiarse cada 50 horas de uso.

Mantenimiento del silenciador

El silenciador se debe quitar y se le debe dar servicio después de cada cincuenta (50) horas de uso. Al mismo tiempo, se deben limpiar e inspeccionar los puertos de salida de los gases de combustión. Este servicio se debe solicitar a un DISTRIBUIDOR BAD BOY AUTORIZADO.

Limpieza general y ajuste

⚠ ADVERTENCIA

RIESGO POTENCIAL

· Cuando el motor está funcionando, el ventilador y otras piezas se mueven.

QUÉ PUEDE SUCEDER

· El contacto con el ventilador en funcionamiento u otras piezas móviles podría provocar lesiones personales graves o incluso la muerte.

CÓMO EVITAR EL PELIGRO

· Apague siempre el soplador portátil antes de proceder con cualquier tarea de limpieza o mantenimiento.

Si se realiza el mantenimiento correctamente, el soplador de BAD BOY ofrecerá el máximo rendimiento durante un largo período de tiempo. El mantenimiento adecuado incluye comprobar con frecuencia si todas las fijaciones están bien apretadas, y toda la máquina bien limpia.

Protector del ventilador



ALMACENAMIENTO

Para almacenar la sopladora durante un tiempo largo, primero realice todos los procedimientos del mantenimiento corriente y las reparaciones necesarias. Desconecte del carburador la línea de suministro de combustible, y oprima el bulbo cebador hasta que deje de salir combustible de la línea de retorno de combustible.

Encienda el motor y permita que marche hasta que se detenga. Tire del cordón de arranque unas pocas veces para remover todo exceso de combustible del motor. Retire la bujía e inserte una pequeña cantidad de aceite dentro del cilindro. Tire lentamente del cordón de arranque y lleve el pistón a una posición lo más cercana posible al orificio de la bujía. Instale nuevamente la bujía.

Aplique una capa delgada de aceite a todas las superficies metálicas y almacene la sopladora en un lugar seco.

INFORMACION SOBRE CONTROL DE EMISIONES

INFORMACION SOBRE CONTROL DE EMISIONES

Para proteger el Ambiente en el que vivimos todos, BAD BOY tiene incorporado un sistema de control de emisiones (EM), en cumplimiento de las regulaciones aplicables expedidas por la Junta de Recursos de Aire de California.

SISTEMA DE CONTROL DE EMISIONES DE ESCAPE Y EVAPORATIVAS

El sistema reduce la cantidad de contaminantes que se descargan a la atmósfera desde el escape de este motor. Los sistemas el estanque de combustible, ignición y escape de este motor han sido diseñados y construidos cuidadosamente para asegurar un motor eficiente con bajo nivel de contaminantes de escape y bajos niveles de emisión de evaporados. Si usted compró su (Soplador, Recortador, Recortador de Borde) en el estado de California, el motor incluye el sistema de convertidor catalítico, y el estanque de combustible incluye un sistema de bajas emisiones evaporativas.

MANTENIMIENTO Y GARANTIA

Es necesario un mantenimiento adecuado para garantizar que su motor continuará teniendo bajos niveles de emisión. Este Manual del Propietario u Operador contiene tales recomendaciones de mantenimiento para su motor. Esos procedimientos, identificados en el Cuadro de Mantenimiento Periódico, son necesarios para asegurar el cumplimiento de los estándares aplicables. La Garantía Limitada BAD BOY del Sistema de Control de Emisiones, exige que usted devuelva su motor a un Distribuidor autorizado de motores BAD BOY para que se remedie cualquier defecto bajo garantía. Por favor lea cuidadosamente la garantía y manténgala válida, y cumpla con las obligaciones de propietario que en ella se detallan.

LA MANIPULACION INDEBIDA DEL SISTEMA DE CONTROL DE EMISIONES ESTA PROHIBIDA

La ley del Estado de California prohíbe los actos especificados a continuación, o que se cause cualquiera de los siguientes hechos: (1) el que cualquier persona, para propósitos diferentes a mantenimiento, reparación, o reemplazo, retire o deje inoperante cualquier dispositivo o elemento de diseño incorporado a cualquier motor nuevo para propósitos de control de emisiones, antes de su venta o entrega al comprador final o mientras tal motor está en uso, o (2) el uso del motor después de que cualquier persona haya retirado o dejado inoperante tal dispositivo o elemento de diseño.

Los actos relacionados a continuación están entre los actos que se presume constituyen manipulación indebida:

No manipule indebidamente las piezas originales relacionadas con la emisión:

- Carburador y partes internas
- Bujía
- Sistema de ignición por imán o electrónico
- Filtro de combustible
- Silenciador o cualquier parte interna del silenciador
- Elemento de filtro de aire
- Estanque de combustible

ESPECIFICACIONES

Modelo	BB880
Dimensions Largo x Ancho x Alto	365 x 485 x 540 mm (14.4 x 19.1 x 21.3 in.)
Poids à seco	9.5 kg (21.0 lbs)
Cylindrée	60.9 cm ³
Sistema de encendido	Estado sólido
Carburador	Tipo de diafragma
Capacidad del depósito de combustible	2.1 L (0.55 gal)
Proporción: gasolina - aceite	50:1.
Bujia	NGK BPM8Y
Separación entre los electrodos	.024-.028 en. (0.6-0.7mm)

TABLE DES MATIÈRES

AVANT PROPOS	1	MAINTENANCE.....	7
Étiquettes d'avertissement.....	1	ENTREPOSAGE.....	10
INSTRUCTIONS DE MONTAGE	3	INFORMATIONS ANTIPOLLUTION.....	11
AVANT L'UTILISATION.....	4	CARACTÉRISTIQUES TECHNIQUES.....	11
INSTRUCTIONS DE FONCTIONNEMENT.....	6		

AVANT PROPOS

Ce Manuel du propriétaire/de l'utilisateur est conçu afin de familiariser l'opérateur avec les différentes caractéristiques et pièces de l'équipement, et de vous assister pendant le montage, le fonctionnement et la maintenance de votre nouvelle souffleuse à dos.

Il est impératif que chaque opérateur de cette Souffleuse à dos lise et comprenne le contenu de ce manuel avant d'utiliser la souffleuse.

Les instructions de sécurité importantes seront identifiées par le symbole de sécurité suivant:



Le non-respect et l'inobservation des instructions incluses dans ce manuel peut être à l'origine de blessures sérieuses, voire mortelles.

En cas d'assistance supplémentaires, veuillez contacter le concessionnaire BAD BOY.

SYMBOLES DE SÉCURITÉ DE CE MANUEL

Tout au long de ce manuel et sur l'appareil lui-même, vous trouverez des messages d'informations utiles et des alertes à la sécurité précédés de symboles ou de mots clé. Ce qui suit correspond à une explication de ces symboles et de ces mots clé ainsi que leur signification.



Ce symbole accompagné des mots AVERTISSEMENT et DANGER doit attirer votre attention ; il se rapporte à une action ou à une condition pouvant être à l'origine de sérieuses blessures à l'opérateur et aux personnes aux alentours.

Étiquettes d'avertissement

- Veiller à toujours nettoyer la poussière ou la boue afin que les étiquettes soient toujours visibles.
- Les étiquettes d'alarme suivantes apparaissent également.



Lire le Manuel du propriétaire/de l'utilisateur complètement.

Lire complètement le Manuel du propriétaire/de l'utilisateur avant d'utiliser l'équipement. thoroughly prior to use.



Interdiction de sources d'incendie.

Ne pas approcher de flamme nue si du carburant est présent ou si l'équipement est en train d'être révisé ou réparé.



Attention aux hautes températures.

La surface du silencieux du moteur, l'ailette du cylindre, etc. deviennent très chauds. Ne pas les toucher.



Se protéger les oreilles.

Se protéger les oreilles en portant un chapeau, des lunettes de protection, des protections auditives avant d'utiliser l'équipement.



Attention aux gaz d'échappement.

Ne pas respirer les gaz d'échappement du moteur.



AVERTISSEMENT

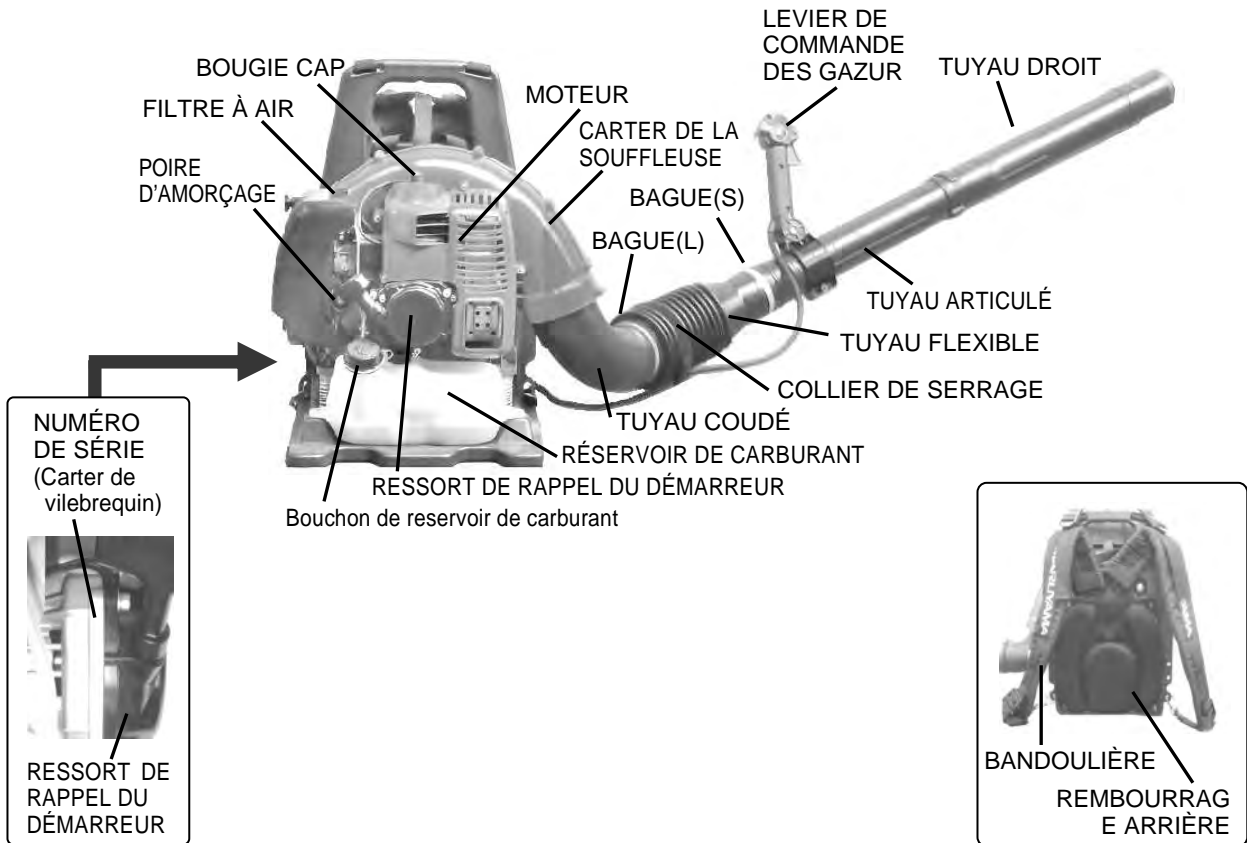


1. Lisez et assimilez ce manuel du propriétaire/de l'utilisateur avant d'utiliser la souffleuse à dos. Familiarisez-vous à l'utilisation correcte de cette souffleuse à dos.
2. Ne laissez jamais des enfants utiliser la souffleuse à dos. Il ne s'agit pas d'un jouet. Ne laissez jamais des adultes utiliser la machine sans qu'ils aient lu le manuel du propriétaire/de l'utilisateur.
3. Familiarisez-vous avec les commandes et sachez comment arrêter rapidement le moteur.
4. Utilisez toujours des lunettes et des protections auditives.
5. Demandez aux personnes de quitter la zone de travail, particulièrement les enfants en bas âge et les animaux domestiques.
6. Ne pointez jamais la bouche de soufflage vers des gens ou des animaux.
7. N'utilisez jamais une souffleuse quand vous êtes fatigué.
8. N'utilisez jamais une souffleuse sans ses protections ou autres dispositifs de sécurité appropriés en place.
9. Habillez-vous correctement ; ne portez aucun vêtement ample ou bijoux pouvant être happés par des pièces en mouvement. Portez toujours des chaussures adéquates, des pantalons longs ainsi que des chemises à manches longues.
10. L'essence est fortement inflammable ; vous devez la manipuler avec précaution.
 - A. Il est strictement interdit de fumer en manipulant de l'essence.
 - B. Utilisez un bidon d'essence approuvé pour entreposer le mélange d'huile et d'essence.
 - C. Ne remplissez pas le réservoir d'essence quand le moteur est chaud ou en fonctionnement
 - D. Le remplissage en essence doit s'effectuer à l'extérieur en conservant un espace de 1 cm en haut du réservoir. Ne remplissez pas le col de remplissage.
 - E. Essuyez le carburant renversé avant de mettre le moteur en marche.
11. Assurez toujours votre équilibre ; maintenez fermement la tuyauterie de soufflage et marchez sans jamais courir quand une souffleuse est en fonctionnement.
12. Utilisez les accessoires corrects. Vous devez utiliser la souffleuse seulement pour ce qu'elle a été conçue.
13. Les fixations doivent être serrées, assurez-vous aussi que la souffleuse est en état de fonctionner sans danger. Appliquez les instructions de maintenance se trouvant en pages 7 à 10 de ce manuel.
14. Éloignez vos pieds et vos mains des pièces en rotation. Soyez prudent à tout instant.
15. Si la souffleuse commence à vibrer anormalement, arrêtez immédiatement le moteur et recherchez la cause. Les vibrations doivent être généralement considérées comme un avertissement avant difficultés.
16. Évitez l'utilisation de la souffleuse à proximité de rochers, graviers, pierres et autres matériaux qui pourraient se transformer en objets volants dangereux.
17. N'utilisez la souffleuse à dos qu'à la lumière du jour ou sous un éclairage artificiel adéquat.
18. Éloignez d'éventuels spectateurs hors de la zone de travail.
19. Le fonctionnement de la souffleuse est interdit sans ses protections en place.
20. Le fonctionnement de la souffleuse est interdit dans des zones sans ventilation.
21. Afin d'éviter tout risque de blessures associées à l'inhalation de poussière, utilisez un masque avec filtre antipoussières.
22. Afin d'éviter tout risque de blessures associées au contact avec des pièces en mouvement, arrêtez le moteur avant d'installer ou de démonter des accessoires.
23. Afin d'éviter tout risque d'incendie et de brûlures :
 - Éloignez-vous d'au moins 3 m du bidon d'essence avant de démarrer le moteur.
 - L'essence doit toujours être stockée dans un bidon approuvé.
24. Les gaz d'échappement sont extrêmement chauds. Gardez les matériaux inflammables, les personnes et les animaux à 1 m (3 pi.) de la direction d'échappement du silencieux. Ne bloquez pas les gaz d'échappement d'objets. Il existe un risque de blocage du feu et de brûlure.
25. Pendant le fonctionnement et le ralenti, le moteur est très chaud. En outre, pendant un certain temps après l'arrêt du moteur, le moteur est chaud. Ne placez pas le moteur à proximité de matériaux inflammables tels que de l'herbe séchée. Il y a un risque d'incendie. De même toucher le moteur présente un risque de brûlure. De même toucher le moteur c'est risquer de se brûler.

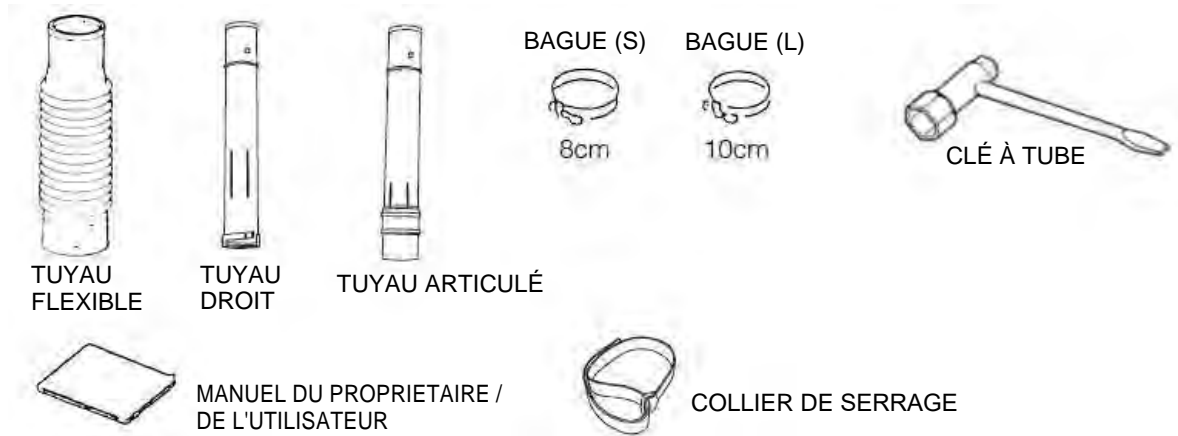
Techniques d'utilisation

- A. N'utilisez un matériel motorisé qu'à des heures raisonnables, pas trop tôt le matin ni trop tard le soir pour ne pas déranger les autres. Respectez les heures répertoriées dans les arrêtés municipaux. Les recommandations générales à ce sujet sont entre 9 h et 17 h du lundi au samedi.
- B. Afin de réduire le niveau du bruit, limitez le nombre d'accessoires simultanément utilisés.
- C. Pour réduire le niveau du bruit, faites fonctionner la souffleuse à sa vitesse minimum possible en fonction du travail à réaliser.
- D. Contrôlez votre matériel avant utilisation, surtout le silencieux, les admissions d'air et les filtres à air.
- E. Décompactez les débris avec un râteau ou un balai avant de les souffler.
- F. En conditions poussiéreuses, mouillez légèrement les surfaces si de l'eau est disponible.
- G. Économisez l'eau en utilisant des souffleuses motorisées à la place de tuyaux pour la plupart des applications de gazon et de jardin, y compris dans les endroits comme les gouttières, les grillages, les patios, les grilles, les porches et les jardins.
- H. Prenez garde aux enfants, animaux domestiques, fenêtres ouvertes ou aux voitures fraîchement lavées, et soufflez les débris au loin en toute sécurité.
- I. Utilisez une rallonge de bouche de soufflage complète pour que le jet d'air puisse travailler près du sol.
- J. Après avoir utilisé les souffleuses et autres matériels : NETTOYEZ-LES ! Mettez les débris dans des poubelles.

INSTRUCTIONS DE MONTAGE



ÉTAPEN¹) Repérez et identifiez tous les composants (re portez-vous au dessin).



ÉTAPEN²) Avec un tournevis à tête plate, utilisez un BAGUE pour connecter le TUYAU FLEXIBLE à l'TUYAU COUDÉ. Ensuite, en utilisant une BAGUE, connectez le TUYAU ARTICULÉ au TUYAU FLEXIBLE. Serrer avec un tournevis. (reportez-vous au dessin).

ÉTAPEN³) Slide LEVER GAS PIPE ARTICULATED round, BUTTON tighten re tainer to secure. (reportez-vous aux instructions en page 4).

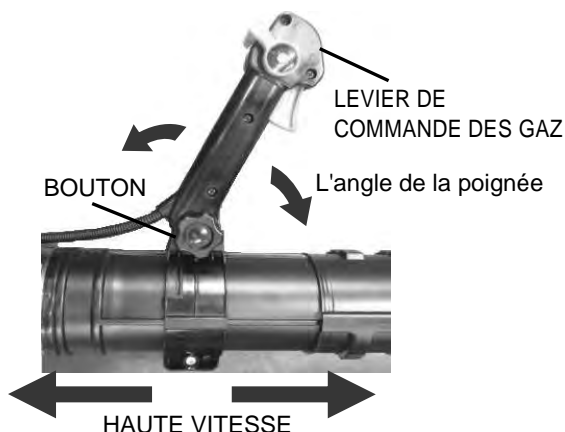
ÉTAPEN⁴) Assembler le TUYAU DROIT.

AVANT L'UTILISATION

Assurez-vous que la Souffleuse à dos est correctement montée et que toutes la visserie et tous les raccords sont correctement serrés.

LEVIER DE COMMANDE DES GAZ

Avant de faire fonctionner le souffleur de feuilles, libérez le bouton, réglez la poignée de commande des gaz sur la position indiquée sur l'illustration et serrez le bouton.



Quand le souffleur de feuilles se trouve attaché sur le dos de l'utilisateur, la poignée de commande des gaz se trouve sur le tube.

ATTENTION!

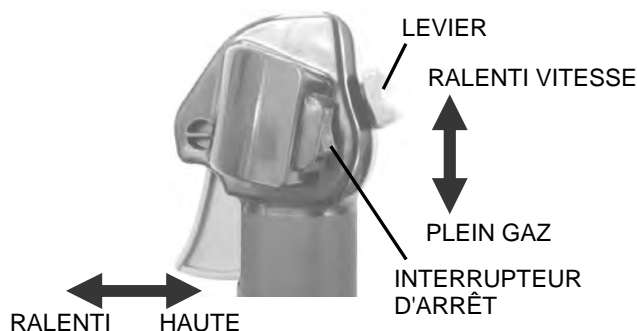
1. Arrêter le moteur

Avant d'arrêter le moteur, laissez-le fonctionner au ralenti pendant une courte période.

- Ne jamais arrêter le moteur en fermant le starter.
- Ne jamais arrêter le moteur pendant que l'appareil fonctionne à un régime plus élevé qu'au ralenti.

2. Transport et remisage

- Arrêtez le moteur et laissez-le refroidir avant de transporter ou de remiser l'appareil.
- Ne pas placer l'appareil sur de l'herbe sèche ou à proximité de tout objet inflammable à moins que le moteur soit froid ou ait refroidi.



La position la plus basse du levier est "HAUTE VITESSE", et la position la plus élevée est le "RALENTI VITESSE" réglage.

Type de carburant recommandé

Utilisez de l'essence sans plomb propre et fraîche, y compris de l'essence oxygénée ou reformulée, avec un indice d'octanes égal ou supérieur à 89. Pour assurer la fraîcheur du carburant, achetez uniquement la quantité d'essence qui sera consommée durant 30 jours. L'utilisation de l'essence sans plomb assure de moindres dépôts dans la chambre de combustion et une plus longue vie utile de la bougie. L'utilisation d'un combustible préférentiel n'est pas nécessaire ni recommandé.

ATTENTION!

IMPORTANT : JAMAIS UTILISER D'ALCOOL, GASOLE CONTENANT PLUS DE 10% DE L'ALCOOL PARCE CARBURANT SYSTÈME POURRAIT ÊTRE ENDOMMAGÉE.

N'UTILISEZ PAS D'ADDITIFS DE CARBURANT DIFFÉRENTS DE CEUX CONÇUS POUR LA STABILISATION DU CARBURANT LORS DE L'ENTREPOSAGE TELS QUE LE STABILISATEUR/ CONDITIONNEUR DE BAD BOY, QUI EST UN DISTILLAT DE PÉTROLE.

BAD BOY NE RECOMMANDE PAS L'UTILISATION D'UN STABILISATEUR À BASE D'ALCOOL TEL QUE L'ÉTHANOL, LE MÉTHANOL OU L'ISOPROPYL.

IL EST DÉCONSEILLÉ D'UTILISER LES ADDITIFS POUR ESSAYER D'AMÉLIORER LA PUISSANCE OU LA PERFORMANCE DE L'APPAREIL.

CARBURANT : MELANGE ESSENCE-HUILE

ATTENTION! Le moteur utilisé sur cette souffleuse à dos est à deux temps. Les pièces mobiles internes du moteur, à savoir le vilebrequin, les roulements, les paliers des axes de piston et les surfaces de contact entre le piston et la paroi, nécessitent un mélange d'huile et d'essence pour la lubrification. L'absence d'apport d'huile à l'essence ou le mélange d'huile avec l'essence dans des proportions inadéquates provoquera de graves dégâts au moteur et annule la garantie. Pour le prémélange de carburant, utilisez l'huile deux temps BAD BOY Premium Mix, ou son équivalent, ISO-L-EGD & JASO FD avec une qualité supérieure minimum de 89 octanes. L'huile 2-temps BAD BOY est spécialement formulée pour répondre aux exigences des moteurs 2-temps de haute performance et à faible taux d'émission d'air. L'utilisation d'autres huiles peut engendrer des problèmes de maintenance qui ne seront peut être pas couverts par la garantie.

⚠ AVERTISSEMENT ⚠

L'essence est extrêmement inflammable et peut exploser dans certaines conditions. Mettez d'interrupteur sur ARRÊT. Ne fumez pas. Assurez-vous que la zone est bien ventilée et qu'il n'y existe aucune source de flammes ou d'étincelles : ceci comprend tout dispositif avec une veilleuse.

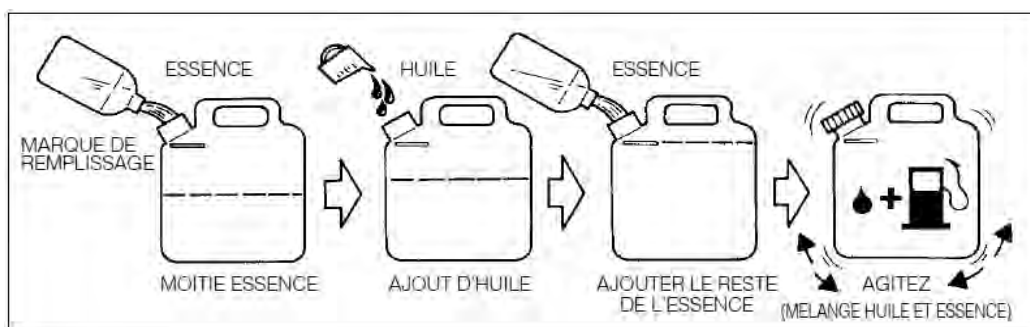
Mélange de carburant : Le rapport d'huile est de 50 parties d'essence pour une partie d'huile, soit 50 : 1.

REMAEQUE: N'utilisez jamais un rapport de mélange inférieur à 50 : 1, quelles que soient les instructions de mélange figurant sur le bidon d'huile. Un rapport inférieur à 50 : 1 (60 : 1, 80 : 1, 100 : 1, par exemple) réduit la lubrification des pièces internes du moteur et risque d'endommager celui-ci.

Essence	Huile pour moteur deux temps 50:1
1 gallon	2,6 oz.
2 gallons	5,1 oz.
5 gallons	12,8 oz.

1 litre	20mL
5 litres	100mL

INSTRUCTIONS DE MÉLANGE: Mélangez toujours le carburant et l'huile dans un récipient propre approuvé pour l'essence. Marquez le bidon pour l'identifier comme mélange pour la souffleuse à dos. Remplissez le récipient d'essence sans plomb ordinaire jusqu'à la moitié de la quantité d'essence nécessaire. Ajoutez la quantité correcte d'huile et ensuite le reste d'essence. Fermez le bidon et secouez-le momentanément pour mélanger l'huile et l'essence avant de remplir le réservoir de la souffleuse à dos.



Lors du remplissage du réservoir de la souffleuse à dos, nettoyez le pourtour du bouchon afin d'éviter l'introduction de débris et de saletés au moment de son dévissage. Secouez toujours le bidon de mélange de carburant quelques instants avant de remplir le réservoir de carburant. Utilisez toujours un bec verseur ou un entonnoir lors du plein pour éviter un déversement. Remplissez le réservoir en laissant un espace de 0,6 à 1,2 cm en haut du réservoir. Ne remplissez pas la partie supérieure du col de remplissage.

REMARQUE:

1. Ne mélangez jamais essence et huile directement dans le réservoir de la souffleuse à dos.

ATTENTION!

1. N'utilisez aucune huile certifiée Marine Manufacturer's Association (NMMA) ou BIA. Ce type d'huile moteur deux temps ne contient pas les additifs convenant aux moteurs deux temps à refroidissement par air et risquent d'endommager le moteur.
2. N'utilisez pas d'huile moteur automobile. Ce type d'huile moteur ne contient pas les additifs convenant aux moteurs deux temps à refroidissement par air et risque d'endommager le moteur.

INSTRUCTIONS DE FONCTIONNEMENT

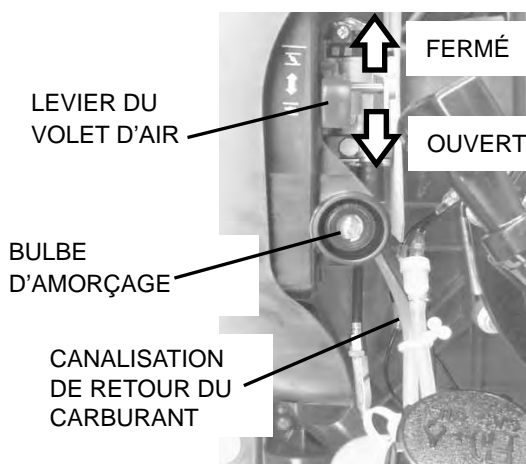
DEMARRAGE

ETAPEN°1)

Pompez la "POIRE D'AMORÇAGE" sous le carburateur jusqu'à ce que du carburant apparaisse dans la "TUYAUTERIE DE RETOUR CARBURANT".

ETAPEN°2)

Abaissez au maximum la "TIRETTE DU STARTER" sur la position fermée. Si le moteur est déjà chaud, ouvrez le starter partiellement ou fermez-le complètement.



ETAPEN°3)

Réglez le commutateur sur l'état dans lequel "I" est enfoncé (voir schéma). Régler la manette des gaz à 1/2 vitesse.



ÉTAPEN°4)

Appuyez sur la touche " CARTER DE LA SOUFFLEUSE" et maintenez le "CADRE" avec votre pied droit en douceur.

Tirez la "POIGNÉE DU DÉMARREUR" vivement pour démarrer le moteur.

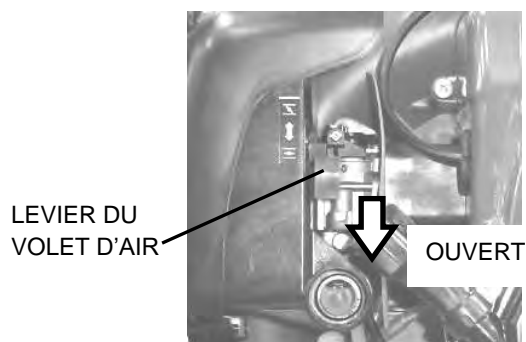
REMARQUE : Des tractions courtes sont nécessaires. Ne tirez jamais sur le cordon de démarrage à son extension maximum. Ne relâchez pas la poignée de démarrage avant qu'elle ne soit dans sa position complètement enroulée.

ÉTAPEN°5)

Faites chauffer le moteur.

Lorsque le moteur a démarré, déplacer lentement le "STARTER LEVIER" entièrement vers le bas à la position ouverte.

Laissez le moteur " CHAUFFER" à mi-régime, voire en dessous.



Si un moteur BAD BOY refuse de démarrer après avoir appliqué les procédures ci-dessus, contactez un concessionnaire BAD BOY.

UTILISATION DE LA SOUFFLEUSE À DOS

Lorsque le moteur est chaud, la souffeuse à dos peut être placée sur le dos de l'utilisateur.
Une fois la souffeuse en place et prête à fonctionner, réglez les gaz à la vitesse requise pour la tâche.



AVERTISSEMENT

- N'utilisez jamais une souffeuse motorisée quand vous êtes fatigué.
- N'utilisez jamais de souffeuse motorisée sans les carters de protection ni les autres dispositifs de sécurité appropriés en place.



AVERTISSEMENT

Afin d'éviter une surchauffe et le blocage du moteur, l'air de refroidissement provenant de la grille arrière du boîtier du ventilateur est poussé par le ventilateur de la souffeuse à travers une ouverture de ce boîtier en direction des ailettes du cylindre afin d'éloigner la chaleur de combustion. La grille et les ailettes du cylindre doivent rester propres et sans débris, poussière ou herbe. Une défaillance du moteur suite à un manque de maintenance normale n'est pas couverte par la garantie.

ARRÊT DU MOTEUR

Faites toujours fonctionner le moteur au ralenti pendant quelques minutes afin de permettre le refroidissement avant arrêt.
Pour arrêter le moteur, appuyez sur le **INTERRUPTEUR D'ARRÊT**.



INTERRUPTEUR
D'ARRÊT



RÉGLAGES

RÉGLAGE DU RALENTI

1. Le réglage du ralenti est le seul disponible.
2. N'essayez pas de manipuler les réglages du carburateur afin d'augmenter la vitesse maximum de rotation du moteur.
3. Si un réglage est nécessaire, faites-le effectuer par votre concessionnaire service agréé BAD BOY.

La mise au point du carburateur est effectuée à l'usine et n'est pas réglable sans démontage du carburateur.

MAINTENANCE

Avant chaque utilisation, la souffeuse à dos doit être inspectée afin de vérifier son montage et le bon fonctionnement de tous les composants. Le serrage correct de toutes les attaches doit être vérifié. Recherchez toujours une éventuelle fuite de carburant.



AVERTISSEMENT

Ne pas essayer de démarrer ou de faire fonctionner un souffleur de feuilles comportant une fuite de carburant.

TABLEAU DES MAINTENANCES PÉRIODIQUES



AVERTISSEMENT



Déconnectez toujours le capuchon de bougie de la bougie pour procéder à une maintenance du moteur afin d'éviter tout démarrage accidentel.

Maintenance	Chaque jour	Chaque 25 heures	Chaque 50 heures	Chaque 100 heures
Réviser et mettre du carburant	●			
Rechercher les fuites de carburant	●			
Réviser que les boulons, écrous et vis sont fermement fixés et qu'il n'en manque pas	●			
Vérifier le réglage de la vitesse de ralenti du moteur	●			
■ Nettoyer l'élément du filtre à air	●			
Vérifiez le bougie du moteur		●		
■ Vérifier et nettoyer le filtre à carburant		●		
■ Nettoyer la poussière et les saletés de la Garde d'admission		●		
■ Nettoyer la poussière et les saletés des ailettes du cylindre		●		
● Nettoyer le pare-étincelles		●		
Visser boulons et écrous			●	
● Retirer les dépôts de carbone de l'orifice d'échappement			●	
Changer le filtre à air				●
Changer le filtre à carburant				●
Changer le bougie du moteur				●
● Éliminer les dépôts de carbone sur la tête du piston et de la chambre de combustion				●
● Éliminer les dépôts de carbone des canaux de transfert				●
Changer le tuyau de carburant, le joint du bouchon du réservoir à carburant	Il est recommandé de les remplacer tous les 3 ans			

- : Ce service doit être fourni par un distributeur BAD BOY agréé.
- : Maintenance plus fréquente dans des conditions poussiéreuses.

REMARQUE:

Les intervalles de maintenance indiqués doivent être utilisés en tant que guide.
La maintenance peut être réalisée plus fréquemment en fonction des conditions d'utilisation.
Utilisez une huile pour moteurs deux temps 50:1 BAD BOY standard.

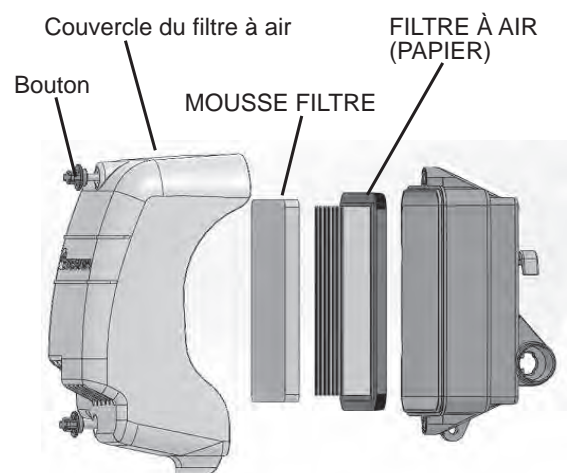
FILTRE À AIR

Intervalle de maintenance

- Le filtre à air doit être nettoyé et révisé après chaque utilisation du souffleur portatif, plus fréquemment si vous travaillez dans des conditions très poussiéreuses.
- Changez-le toutes les 100 heures de fonctionnement.

Nettoyage du filtre à air

1. Déplacez d'abord le levier d'étrangleur à la position fermée (\perp).
2. Dévissez le bouton, puis retirez le couvercle du filtre à air.
3. Retirez le MOUSSE FILTRE et le FILTRE À AIR (PAPIER) du corps du filtre à air.
4. Nettoyez le filtre.
 - MOUSSE FILTRE
Nettoyer le MOUSSE FILTRE en tapotant ou le nettoyage avec un solvant approprié le filtre doucement. Puis sécher complètement avant d'utiliser à nouveau.
 - FILTRE À AIR (PAPIER)
Nettoyer le Air FILTER (PAPIER) en tapotant doucement.
Remplacer le filtre si elle est endommagée ou très sale.
5. Assemblez les composants dans l'ordre inverse.
6. Réinstallez le couvercle du filtre à air et vissez le bouton.



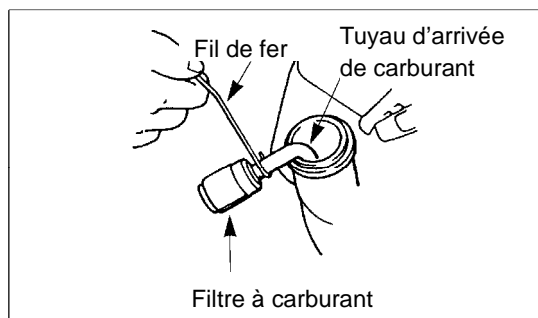
Filtre à carburant

Intervalle de maintenance

- Le filtre à carburant doit être nettoyé et révisé toutes les 25 heures de fonctionnement.
- Changez le filtre à carburant toutes les 100 heures de fonctionnement.

Remplacement du filtre à carburant

Le filtre à carburant est fixé à l'extrémité du tuyau d'arrivée de carburant à l'intérieur du réservoir.



Pour changer le filtre à carburant :

1. Assurez-vous que le réservoir est vide.
2. Retirez le bouchon du réservoir de carburant.
3. Au moyen d'un crochet en fil de fer, retirez délicatement le filtre à carburant à partir de l'orifice de remplissage du carburant.
4. Saisissez le tuyau de carburant situé près de la pièce de fixation du filtre à carburant, puis retirez le filtre mais sans lâcher le tuyau.
5. Tout en saisissant le tuyau de carburant, introduisez le nouveau filtre à carburant.
6. Laissez tomber le nouveau filtre dans le réservoir à carburant.
7. Avant le remplissage en essence, assurez-vous que le filtre n'est pas coincé dans un coin du réservoir, et que le tuyau de carburant n'est pas plié (tordu).

Ailettes de refroidissement du cylindre

Intervalle de maintenance

Les ailettes de refroidissement du cylindre doivent être nettoyées toutes les 25 heures de fonctionnement, ou une fois à la semaine.

L'air doit circuler librement autour et à travers les ailettes de refroidissement du cylindre pour prévenir toute surchauffe du moteur. L'accumulation de résidus, de saletés, de l'herbe et de feuilles dans les ailettes augmentera sa température, ce qui réduira ses performances et écourtera sa vie utile.

Nettoyage des ailettes de refroidissement

1. Le moteur étant à température ambiante (ambiante), retirez les quatre vis retenant le capot supérieur, puis retirez le capot supérieur.
2. Nettoyez toute la saleté et les débris des ailettes de refroidissement et autour de la base du cylindre.
3. Remettre en place le capot supérieur et serrer le bouton.

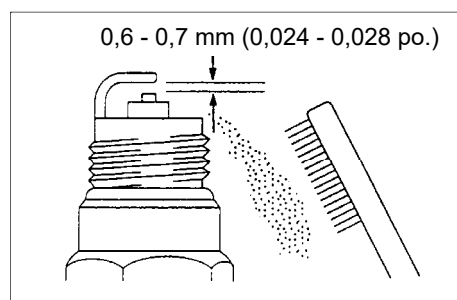
Bougie

Intervalle de maintenance

- Vous devez retirer et réviser la bougie du moteur toutes les 25 heures de fonctionnement.
- Changez-la toutes les 100 heures de fonctionnement.

Maintenance de la bougie

1. Le moteur étant à température ambiante, tournez le capuchon du conducteur haute tension de la bougie plusieurs fois d'avant en arrière pour le desserrer, retirez-le ensuite de la bougie.
2. Retirez la bougie.
3. Une fois la bougie retirée, les électrodes peuvent être nettoyées avec une brosse dure.



4. Réglez l'écartement des électrodes entre 0,6 et 0,7mm (0,024- 0,028 po.).
5. Remplacez la bougie si elle est salie d'huile, endommagée ou si les électrodes sont usées.
6. Ne serrez pas trop la bougie en la posant. Le couple de serrage est de 10,7- 16,6 N•m (95- 148 po.-lbs.).
7. Toujours utiliser la gamme de chaleur spécifique de la bougie. Ceci est particulièrement critique à faible émission d'aujourd'hui moteurs. Pour de meilleurs résultats, utilisez la exacte remplacement.

Ailettes de refroidissement du cylindre

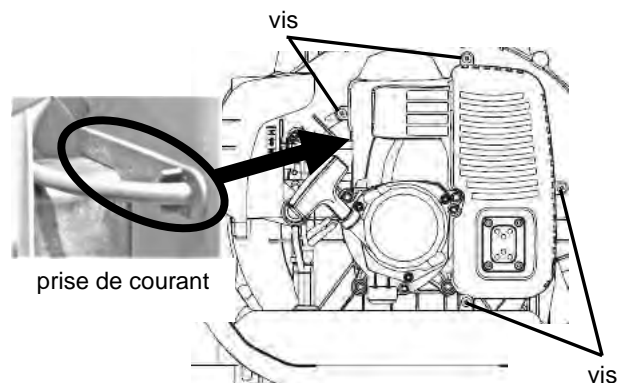
Intervalle de maintenance

Les ailettes de refroidissement du cylindre doivent être nettoyées toutes les 25 heures de fonctionnement, ou une fois à la semaine.

L'air doit circuler librement autour et à travers les ailettes de refroidissement du cylindre pour prévenir toute surchauffe du moteur. L'accumulation de résidus, de saletés, de l'herbe et de feuilles dans les ailettes augmentera sa température, ce qui réduira ses performances et écourtera sa vie utile.

Nettoyage des ailettes de refroidissement

1. Le moteur étant à température ambiante (ambiante), retirez les quatre vis retenant le capot supérieur, puis retirez le capot supérieur.
2. Nettoyez toute la saleté et les débris des ailettes de refroidissement et autour de la base du cylindre.
3. Remettre en place le capot supérieur et serrer le bouton.



Pare-étincelles

⚠ AVERTISSEMENT ⚠

RIESGO POTENCIAL

· La superficie del silenciador se calienta cuando el soplador está en marcha y permanece caliente durante un tiempo después de haber apagado el motor.

QUÉ PUEDE SUCEDER

· El contacto con la superficie del silenciador caliente puede ocasionar quemaduras.

CÓMO EVITAR EL PELIGRO

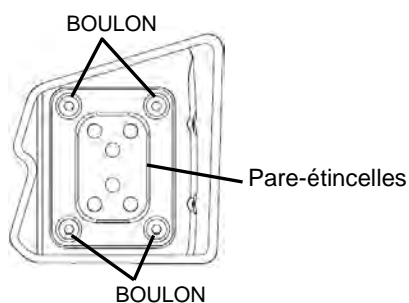
· Asegúrese de que el silenciador esté frío antes de examinar y limpiar el matachispas.

Intervalo de mantenimiento

- Les pare-étincelles doivent être inspectés et nettoyés toutes les 25 heures d'utilisation.
- Si le pare-étincelles ne peut pas être complètement nettoyé ou est endommagé, remplacez-le.

Maintenance du pare-étincelles

1. Avec le moteur à température ambiante, dévissez le bouton et retirez le couvercle du filtre à air.
2. Enlevez la vis du silencieux.



3. Retirez le pare-étincelles du silencieux, puis nettoyez-le en le brossant.
4. Réinstallez le pare-étincelles sur le silencieux.
5. Serrer la vis.

Garde d'admission

Lorsque le débit d'air a chuté pendant le fonctionnement, arrêter le moteur et inspecter la garde d'admission pour le blocage par des débris. Nettoyage des débris de garde d'admission.

⚠ AVERTISSEMENT

Ne jamais utiliser le ventilateur sans la protection d'admission de la soufflante. Avant chaque utilisation, vérifier que la garde d'admission est fixé en place et est exempt de tout dommage.

SILENCIEUX ET ORIFICES D'ÉCHAPPEMENT

Intervalle de maintenance

Le silencieux doit être inspecté et nettoyer toutes les 50 heures d'utilisation.

Mantenimiento del silenciador

Le silencieux doit être déposé et entretenu toutes les cinquante heures de fonctionnement.

Recours de cette opération, les orifices d'échappement doivent être nettoyés et inspectés.

Un CONCESSIONNAIRE BAD BOY doit être contacté pour effectuer cet entretien.

Limpeza general y ajuste

⚠ AVERTISSEMENT ⚠

RIESGO POTENCIAL

· Cuando el motor está funcionando, el ventilador y otras piezas se mueven.

QUÉ PUEDE SUCEDER

· El contacto con el ventilador en funcionamiento u otras piezas móviles podría provocar lesiones personales graves o incluso la muerte.

CÓMO EVITAR EL PELIGRO

· Apague siempre el soplador portátil antes de proceder con cualquier tarea de limpieza o mantenimiento.

En cas de maintenance appropriée, le souffleur BAD BOY vous offrira des performances maximales pendant de nombreuses heures. Réviser fréquemment l'état des pièces de fixation et veillez à maintenir l'appareil dans un bon état de propreté.

Garde d'admission



ENTREPOSAGE

Pour un entreposage de longue durée de la souffleuse, procédez à une maintenance et aux réparations nécessaires. Videz le réservoir d'essence. Déconnectez la tuyauterie d'arrivée d'essence sur le carburateur et appuyez sur la poire d'amorçage jusqu'à ce que le liquide cesse de s'écouler par le tuyau de retour de carburant.

Démarrez le moteur et laissez-le fonctionner jusqu'à ce qu'il s'arrête. Tirez quelquefois sur le cordon du démarreur afin d'éliminer le carburant en excès du moteur. Retirez la bougie et insérez une petite quantité d'huile dans le cylindre. Tirez doucement sur le cordon de démarrage et amenez le piston au plus proche de l'ouverture de la bougie. Réinstallez la bougie. Appliquez une fine couche d'huile sur toutes les surfaces métalliques et rangez la souffleuse à dos dans un lieu sec.

INFORMATIONS ANTIPOLLUTION

INFORMATIONS ANTIPOLLUTION

Afin de protéger l'environnement dans lequel nous vivons, BAD BOY a incorporé un système de contrôle antipollution de l'échappement (EM) conformément aux règlements édictés par le California Air Resources Board..

LE SYSTEME DE CONTROLE D'EMISSION DES VAPEURS DE CARBURANT ET DE L'ECHAPPEMENT

Le système réduit la quantité de polluants déchargés dans l'atmosphère par l'échappement de ce moteur. Le réservoir à carburant, le système d'allumage et d'échappement de ce moteur ont été soigneusement conçus et construits pour assurer un moteur efficace ayant un bas niveau de polluant de l'échappement et d'émission de vapeurs de carburant.

Si vous avez acheté votre (souffleur, taille-bordure, taille-haie) dans l'état de Californie, le moteur inclut le système de pot catalytique et le réservoir à carburant inclut le système d'émission de vapeurs de carburant. .

MAINTENANCE ET GARANTIE

La maintenance adéquate est nécessaire afin de s'assurer que le moteur continuera à générer le minimum de pollution. Ce manuel du propriétaire contient ces recommandations de maintenance du moteur. Les articles identifiés sur le Tableau de maintenance périodique sont nécessaires afin d'assurer la conformité avec les normes en vigueur. La garantie du système de contrôle antipollution BAD BOY impose expressément de retourner le moteur à un concessionnaire

BAD BOY afin de procéder aux réparations sous garantie. Veuillez lire la garantie avec attention et lui conserver toute sa validité en vous conformant aux obligations du propriétaire qu'elle contient.

TOUTE MANIPULATION DES SYSTÈMES DE CONTRÔLE ANTIPOLLUTION EST INTERDITE

Les lois de l'état de Californie interdisent les actes suivants ou ce qui les provoque :

(1) Déposer ou rendre inopérant par quiconque autrement que dans un but de maintenance, de réparation ou de remplacement, d'un dispositif ou d'un élément incorporé à dessin dans un moteur neuf dans le but de contrôler la pollution avant sa vente ou sa livraison au dernier acheteur ou pendant qu'il est en l'utilisation ou (2) l'utilisation du moteur après qu'un tel dispositif ou élément incorporé à dessin a été déposé ou rendu inopérant par quiconque.

Parmi les actes considérés comme constituant une manipulation se trouvent les actes repertories cidessous :
N'opérez aucune manipulation des pièces originales destinées à réduire la pollution :

- Carburateur et pièces internes
- Bougies
- Magnéto ou système d'allumage électronique
- Filtre à carburant
- Élément de filtre à air
- Réservoir de carburant
- Muffler ou toute partie interne de l'échappement

CARACTÉRISTIQUES TECHNIQUES

Modèle	BB880
Dimensions Lo x La x Ha	365 x 485 x 540 mm (14.4 x 19.1 x 21.3 in.)
Poids à vide	9.5 kg (21.0 lbs)
Cylindrée	60.9 mL
Système d'allumage	Corps solide
Carburateur	Type de diaphragme
Contenance du réservoir à carburant	2.1 L (0.55 gal)
Rapport essence/huile	50:1
Bujia	NGK BPM8Y
Écartement des électrodes	0,6 – 0,7 mm (,024 -,028 pouce)



BAD BOY

www.badboycountry.com

Bad Boy, Inc.

102 Industrial Drive

Batesville, Arkansas 72501