



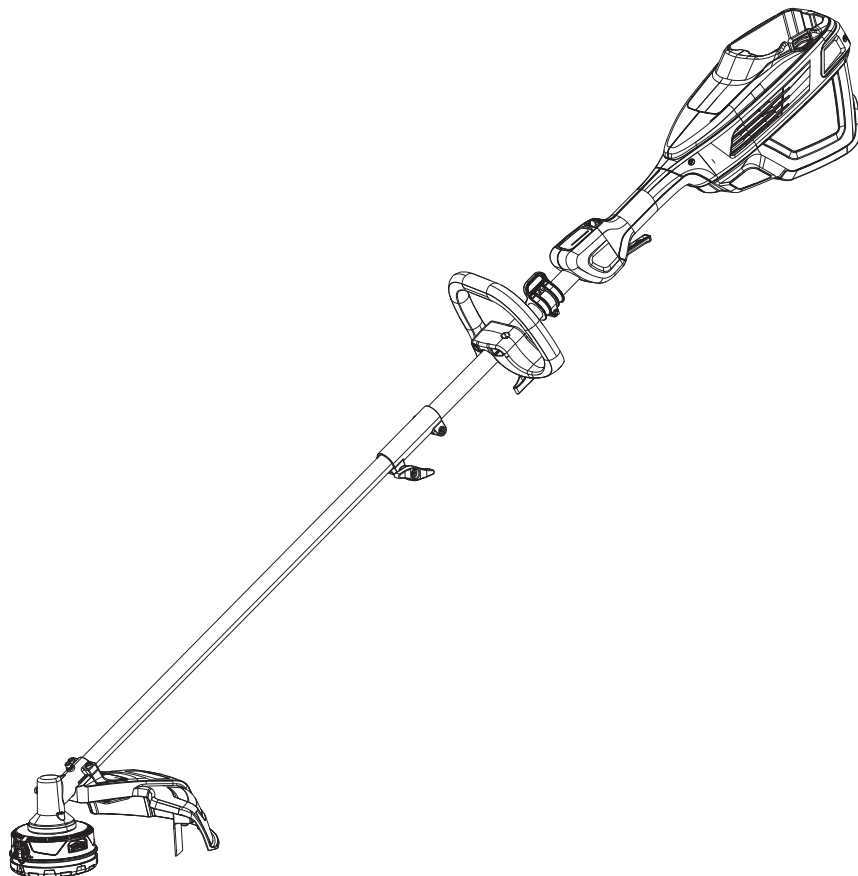
MODEL NO. / N.º MODELO
ST80B120A16
ST80B000A16

EN STRING TRIMMER

OPERATOR MANUAL

ES CORTABORDES

MANUAL DEL OPERADOR



PART NO. / N.º PIEZA
088-7505-00
088-7560-00

badboymowers.com

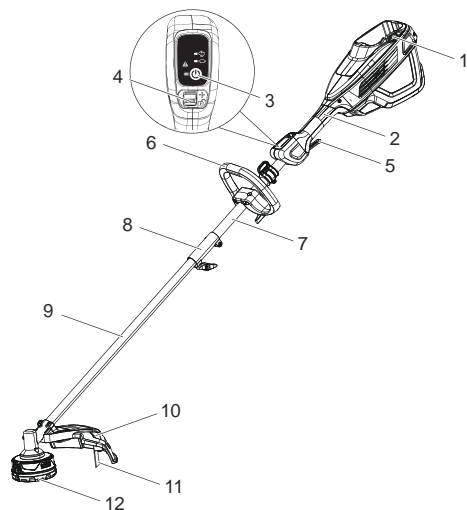
1	Description.....	4	9.3	Start the machine.....	9
1.1	Purpose.....	4	9.4	Stop the machine.....	9
1.2	Overview.....	4	9.5	Operation tips.....	9
2	Important safety instructions.....	4	9.6	Adjust the length of the cutting line.....	10
3	Symbols on the product.....	5	9.7	Cutting tips.....	10
4	Risk levels.....	6	9.8	Line cut-off blade.....	10
5	Service.....	6	9.9	Adjust the cutting diameter.....	10
6	Environmentally safe battery disposal.....	6	10	Maintenance.....	11
7	Proposition 65.....	7	10.1	General information.....	11
8	Installation.....	7	10.2	Clean the machine.....	11
8.1	Unpack the machine.....	7	10.3	Remove the remaining line	11
8.2	Attach the guard.....	7	10.4	Install the cutting line.....	12
8.3	Assemble the shaft.....	7	10.5	Remove the trimmer head.....	12
8.4	Attach the auxiliary handle.....	8	10.6	Assemble the trimmer head.....	12
8.5	Install the battery pack.....	8	11	Transportation and storage.....	12
8.6	Remove the battery pack.....	8	11.1	Store the machine.....	13
9	Operation.....	9	12	Troubleshooting.....	13
9.1	On/off button.....	9	13	Technical data.....	14
9.2	Speed indication.....	9	14	Limited warranty.....	14
			15	Exploded view.....	15

1 DESCRIPTION

1.1 PURPOSE

This machine is used to cut grass, light weeds, and other similar vegetation at or around ground level. The cutting plane must be approximately parallel to the ground surface. You cannot use the machine to cut or chop hedges, shrubs, bushes, flowers and compost.

1.2 OVERVIEW



- 1 Battery release button
- 2 Rear handle
- 3 On/off button
- 4 Lock-out button / speed button
- 5 Switch trigger
- 6 Auxiliary handle
- 7 Upper shaft
- 8 Coupler
- 9 Lower shaft
- 10 Guard
- 11 Cut-off blade
- 12 Trimmer head

2 IMPORTANT SAFETY INSTRUCTIONS

READ ALL INSTRUCTIONS BEFORE USING (THIS POWER TOOL)

▲ WARNING

Read and understand all instructions before using this product. Failure to follow all instructions listed below may result in electric shock, fire, and/or serious personal injury.




- Use only identical manufacturer's replacement parts and accessories. Use of any other parts may create a hazard or cause product damage.
- Always wear safety glasses with side shields marked to comply with ANSI Z87.1. Everyday glasses have only impact resistant lenses. They are NOT safety glasses. Following this rule will reduce the risk of eye injury. Use face mask if operating in dusty workspaces.
- Avoid Dangerous Environment – Do not expose power tools to damp or wet conditions. Water entering a power tool will increase the risk of electric shock.
- Do not use in rain.
- Keep all bystanders, children, and pets at least 50 ft. away.
- Dress Properly – Do not wear loose clothing or jewelry. They can be caught in moving parts. Use of rubber gloves and substantial footwear is recommended when working outdoors. Wear protective hair covering to contain long hair.
- Use right Appliance. Do not use appliance for any job except that for which it is intended.
- Prevent unintentional starting. Ensure the switch is in the off-position before connecting to battery pack, picking up or carrying the appliance. Carrying the appliance with your finger on the switch or energizing appliance that have the switch on invites accidents.
- Do not Force Appliance – It will do the job better and with less likelihood of a risk of injury at the rate for which it was designed.
- Do not overreach – Keep proper footing and balance at all times.
- Stay alert – Watch what you are doing. Use common sense. Do not operate this unit when you are tired, ill or under the influence of alcohol, drugs or medication.
- Always store idle power tools indoors – When not in use, power tools should be stored indoors in a dry and high or locked-up place, out of reach of children.
- The machine is not intended for use by persons (including children) with reduced physical, sensory or mental capabilities, or lack of experience and knowledge, unless they have been given supervision or instruction concerning use of the machine by a person responsible for their safety. Children should be supervised to ensure that they do not play with the machine.




- Maintain Appliance With Care – Replace string head if cracked, chipped, or damaged in any way. Be sure the string head is properly installed and securely fastened. Keep cutting edge sharp and clean for best performance and to reduce the risk of injury. Follow instructions for lubricating and changing accessories. Inspect appliance cord periodically, and if damaged, have it repaired by an authorized service facility. Inspect extension cords periodically and replace if damaged. Keep handles dry, clean, and free from oil and grease. Failure to do so can cause serious injury.
- Check damaged parts before using the appliance, a guard or other part that is damaged should be carefully checked to determine that it will operate properly and perform its intended function. Check for alignment of moving parts, binding of moving parts, breakage of parts, damaged mountings, and any other condition that may affect its operation. A guard or other part that is damaged should be properly repaired or replaced by an authorized service center unless indicated elsewhere in this manual.
- Remove or disconnect battery before servicing, cleaning or removing material from the gardening appliance.
- Do not modify or attempt to repair the appliance or the battery pack (as applicable) except as indicated in the instructions for use and care. Use appliances only with specifically designated battery packs. Use of any other battery packs may create a risk of injury and fire. Use only with Greenworks BAT80V20A battery or other BAT 80V series.
- Recharge only with the charger specified by the manufacturer. A charger that is suitable for one type of battery pack may create a risk of fire when used with another battery pack. Use only with Greenworks CHA180VA2 charger or other CHA 80V series.
- When battery pack is not in use, keep it away from other metal objects, like paper clips, coins, keys, nails, screws or other small metal objects, that can make a connection from one terminal to another. Shorting the battery terminals together may cause burns or a fire.
- Under abusive conditions, liquid may be ejected from the battery; avoid contact. If contact accidentally occurs, flush with water. If liquid contacts eyes, additionally seek medical help. Liquid ejected from the battery may cause irritation or burns.
- Do not use a battery pack or appliance that is damaged or modified. Damaged or modified batteries may exhibit unpredictable behavior resulting in fire, explosion or risk of injury.
- Do not expose a battery pack or appliance to fire or excessive temperature. Exposure to fire or temperature above 265 °F (130 °C) may cause an explosion.
- Do not dispose of the batteries in a fire. The cells may explode. Check with local codes for possible special disposal instructions.
- Do not open or mutilate the batteries. Released electrolyte is corrosive and may cause damage to the eyes or skin. It may be toxic if swallowed.
- Exercise care in handling batteries in order not to short the battery with conducting materials such as rings, bracelets, and keys. The battery or conductor may overheat and cause burns.
- Follow all charging instructions and do not charge the battery pack or appliance outside of the temperature range specified in the instructions. Charging improperly or at temperatures outside of the specified range may damage the battery and increase the risk of fire.
- Have servicing performed by a qualified repair person using only identical replacement parts. This will ensure that the safety of the product is maintained.
- Keep guards in place and in working order.
- Keep hands and feet away from cutting area.
- Disconnect the battery pack from the appliance before making any adjustments, changing accessories, or storing appliance. Such preventive safety measures reduce the risk of starting the appliance accidentally.
- Use only with the spiral nylon cutting line of 0.095" (2.4 mm) diameter. Do not use heavier lines than recommended by the manufacturer and line materials of other types – for example, metal wire, rope, and the like.

SAVE THESE INSTRUCTIONS

3 SYMBOLS ON THE PRODUCT




Some of the following symbols may be used on this tool. Please study them and learn their meaning. Proper interpretation of these symbols will allow you to operate the tool better and safer.

Symbol	Explanation
	Read and understand all instructions before operating the product, follow all warnings and safety instructions.
	Wear eyes protection and ears protection.
	Do not expose to rain or in damp condition.

Symbol	Explanation
	Beware of thrown or flying objects. Keep all bystanders, especially children and pets, at a safe distance at least 50-ft away from the operating area.
	Keep bystanders a safe distance away from the product.
	The guaranteed sound volume level is 96 dB.

4 RISK LEVELS

The following signal words and meanings are intended to explain the levels of risk associated with this product.

SYM-BOL	SIGNAL	MEANING
	DANGER	Indicates an imminently hazardous situation, which, if not avoided, will result in death or serious injury.
	WARNING	Indicates a potentially hazardous situation, which, if not avoided, could result in death or serious injury.
	CAUTION	Indicates a potentially hazardous situation, which, if not avoided, may result in minor or moderate injury.
	CAUTION	(Without Safety Alert Symbol) Indicates a situation that may result in property damage.

5 SERVICE

Servicing requires extreme care and knowledge and must be performed only by a qualified service technician. For service we suggest you return the machine to your nearest AUTHORIZED SERVICE CENTER for repair. Use only identical manufacturer's replacement parts and accessories.

6 ENVIRONMENTALLY SAFE BATTERY DISPOSAL



The toxic and corrosive materials below are in the batteries used in this machine: **Lithium-ion, a toxic material.**

▲ WARNING

Discard all toxic materials in a specified manner to prevent contamination of the environment. Before discarding damaged or worn out Lithium-ion battery, contact your local waste disposal agency, or the local Environmental Protection Agency for information and specific instructions. Take the batteries to a local recycling and/or disposal center, certified for Lithium-ion disposal.

▲ WARNING

If the battery pack cracks or breaks, with or without leaks, do not recharge it and do not use. Discard it and replace with a new battery pack. **DO NOT TRY TO REPAIR IT!** To prevent injury and risk of fire, explosion, or electric shock, and to avoid damage to the environment:

- Cover the terminals of the battery with heavy-duty adhesive tape.
- **DO NOT** try to remove or destroy any of the battery pack components.
- **DO NOT** try to open the battery pack.
- If a leak develops, the released electrolytes are corrosive and toxic. **DO NOT** get the solution in the eyes or on skin, and do not swallow it.
- **DO NOT** put these batteries in your regular household trash.
- **DO NOT** incinerate.
- **DO NOT** put them where they will become part of any waste landfill or municipal solid waste stream.
- Take them to a certified recycling or disposal center.

7 PROPOSITION 65

▲ WARNING

This product contains a chemical known to the state of California to cause cancer, birth defects or other reproductive harm. Some dust created by power sanding, sawing, grinding, drilling, and other construction activities contains chemicals known to cause cancer, birth defects or other reproductive harm. Some examples of these chemicals are:

- Lead from lead-based paints;
- Crystalline silica from bricks and cement and other masonry products;
- Arsenic and chromium from chemically treated lumber.

Your risk of exposure to these chemicals varies depending on how often you do this type of work. To reduce your exposure to these chemicals, work in a well-ventilated area, and work with approved safety equipment, such as dust masks that are specially designed to filter out microscopic particles.

8 INSTALLATION

8.1 UNPACK THE MACHINE

▲ WARNING

Make sure that you correctly assemble the machine before use.

▲ WARNING

- If parts of the machine are damaged, do not use the machine.
- If parts are missing, do not operate the machine.
- If parts are damaged or missing, contact the service center.

1. Open the package.
2. Read the documentation provided in the box.
3. Remove all the unassembled parts from the box.
4. Remove the machine from the box.
5. Discard the box and packing material in compliance with local regulations.

▲ WARNING

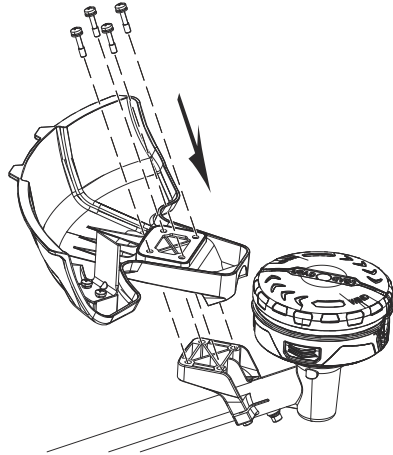
For your personal safety, do not insert battery before the tool is assembled completely.

8.2 ATTACH THE GUARD

▲ WARNING

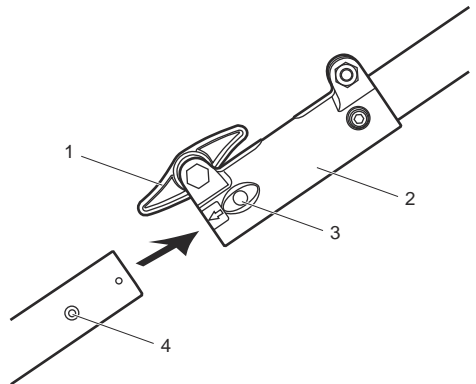
Do not touch the cut-off blade.

1. Remove the screws from the trimmer head with a Phillips head screwdriver (not included).
2. Put the guard onto the trimmer head.
3. Align the screw holes on the guard with the screw holes on the trimmer head.
4. Tighten the screws.

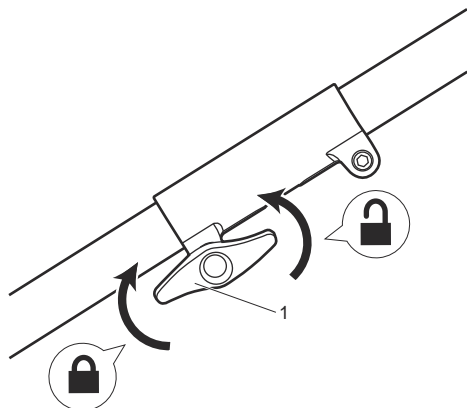


8.3 ASSEMBLE THE SHAFT

1. Loosen the knob (1) on the coupler (2).
2. Push in the release button (4) on the lower shaft.

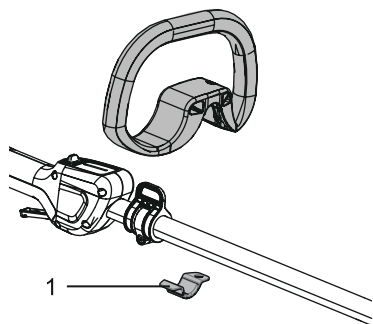


3. Align the release button with the positioning hole (3) and move the two shafts.
4. Turn the lower shaft until the button locks into the positioning hole.
5. Tighten the knob.

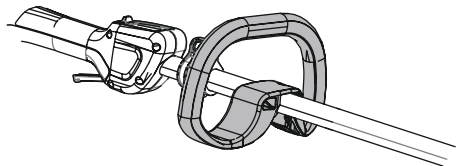


8.4 ATTACH THE AUXILIARY HANDLE

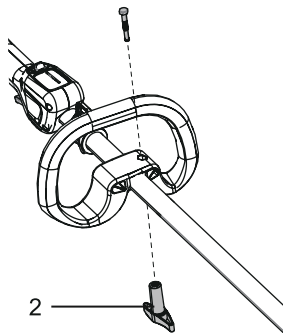
1. Remove the knob from the handle.
2. Attach the auxiliary handle and lower clamp (1) on the shaft.



3. Set the auxiliary handle in the comfortable position.



4. Put the bolt through the holes...
5. Tighten the auxiliary handle with the knob (2).



8.5 INSTALL THE BATTERY PACK

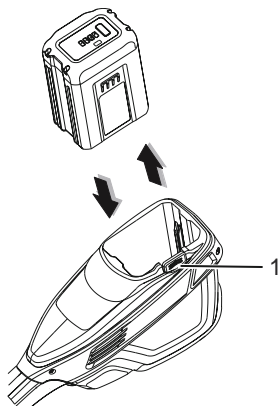
▲ WARNING

- If the battery pack or charger is damaged, replace the battery pack or the charger.
- Stop the machine and wait until the motor stops before you install or remove the battery pack.
- Read and understand the instructions in the battery and charger manual.

1. Align the ribs on the battery pack with the grooves in the battery compartment.
2. Push the battery pack into the battery compartment until the battery pack locks into place.
3. When you hear a click, the battery pack is installed.

8.6 REMOVE THE BATTERY PACK

1. Push and hold the battery release button (1).
2. Remove the battery pack from the machine.



9 OPERATION

i IMPORTANT

Before you operate the machine, read and understand the safety regulations and the operation instructions.

▲ WARNING

Be careful when you operate the machine.

9.1 ON/OFF BUTTON



Push this button to turn power on and off for the machine.

Green light on: the electrical circuit of the machine is on (ON). The machine prepares to operate.

i NOTE

If you do not use the machine for more than 30 s, the machine stops.

Lights off: the electrical circuit is off (OFF).

i IMPORTANT

Do not keep your finger on the button when you move the machine to prevent accidental start.

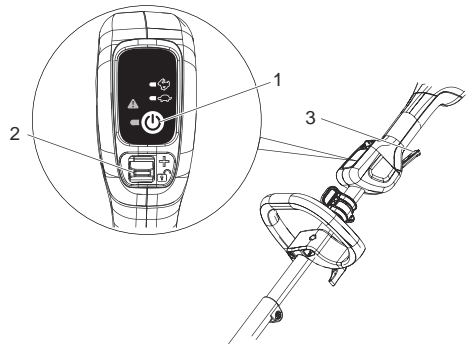
9.2 SPEED INDICATION



1. The rabbit light is on when you adjust to high speed.
2. The turtle light is on when you adjust to low speed.

9.3 START THE MACHINE

1. Push the on/off button (1).
2. Pull the lock-out button (2) rearward.
3. Pull the trigger (3).
4. Push the speed button (2) forward to increase cutting means speed according to grass conditions.



9.4 STOP THE MACHINE

1. Release the trigger to stop the machine.

9.5 OPERATION TIPS

▲ WARNING

Keep clearance between the body and the machine.

▲ WARNING

Do not operate the machine without guard in place.

Do these tips when you use the machine

- Keep the machine connected to the correctly worn harness.
- Keep a firm hold with both hands on the machine while you operate the machine.
- Cut tall grass from the top down.

If grass winds around the trimmer head:

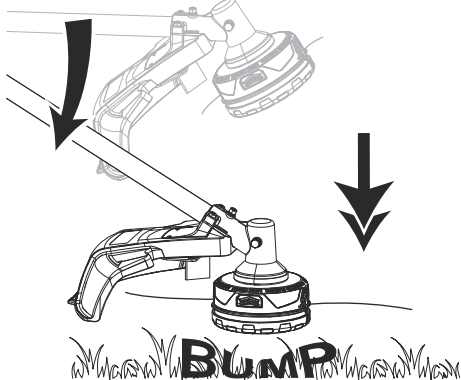
- Remove the battery pack.
- Remove the grass.



9.6 ADJUST THE LENGTH OF THE CUTTING LINE

While you operate the machine, the cutting line gets worn and shorter. You can adjust the length of the cutting line.

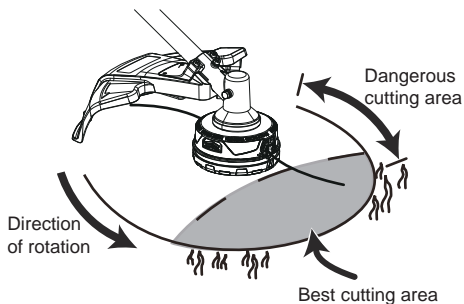
1. Hit the trimmer head against the ground while you operate the machine.
2. Line is automatically released and the cut-off blade cuts the excess length.



9.7 CUTTING TIPS

- Tilt the machine toward the area to be cut. Use the tip of the cutting line to cut grass.

- Move the machine from right to left to prevent thrown debris toward the operator.
- Do not cut in the dangerous area.
- Do not force the trimmer head into uncult grass.
- Wire and picket fences cause cutting line wear and breakage. Stone and brick walls, curbs, and wood can wear the cutting line quickly.



9.8 LINE CUT-OFF BLADE

This trimmer is equipped with a line cut-off blade on the guard. The line cut off blade continuously trims the line to ensure a consistent and efficient cut diameter. Advance line whenever you hear the engine running faster than normal, or when trimming efficiency diminishes. This will maintain best performance and keep line long enough to advance properly.

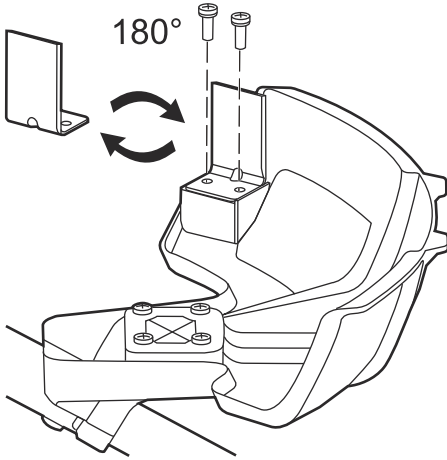
9.9 ADJUST THE CUTTING DIAMETER

i NOTE

The machine is set at a 16" (406 mm) cutting diameter. You can adjust to a 14" (356mm) cutting diameter.

Set the cutting diameter to for greater runtime and for a larger cutting area.

1. Remove the battery pack.
2. Remove the blade screws from the cut-off blade.
3. Turn the cut-off blade 180°.
4. Tighten the blade screws.



10 MAINTENANCE

i IMPORTANT

Read and understand the safety regulations and the maintenance instructions before you clean, repair or do the maintenance work on the machine.

i IMPORTANT

Make sure that all nuts, bolts and screws are tight. Check regularly that the handles are firmly mounted.

i IMPORTANT

Use only the replacement parts and accessories of the initial manufacturer.

10.1 GENERAL INFORMATION

i IMPORTANT

Only your dealer or approved service center can do the maintenance that is not given in this manual.

Before the maintenance operations:

- Stop the machine.
- Remove the battery pack.
- Cool the motor.
- Use correct clothing, protective gloves and safety glasses.

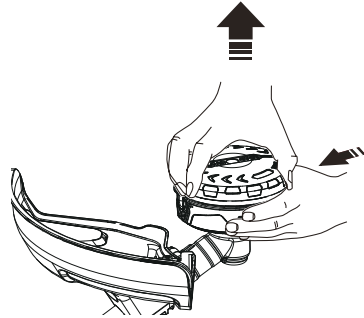
10.2 CLEAN THE MACHINE

- Clean the machine after each use with a moist cloth dipped in neutral detergent.
- Do not use aggressive detergents or solvents like "glass cleaner" to clean the plastic parts or handles.

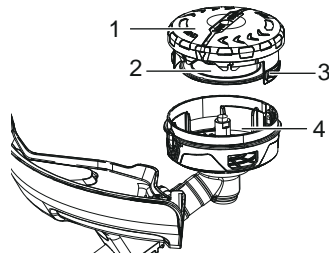
- Keep the trimmer head free from grass, leaves, or excessive grease.
- Keep the air vents clean and free of debris to avoid overheating and damage of the motor.
- Do not spray water onto the motor and electrical components.

10.3 REMOVE THE REMAINING LINE

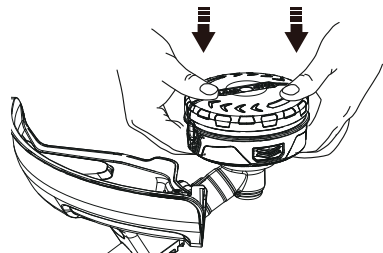
1. Push the tabs (3) on the sides of the trimmer head at the same time.



2. Pull and remove the spool cover.
3. Remove the remaining cutting line.



4. Put the spool cover with spool in the spool housing (4).



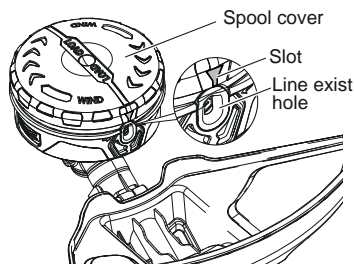
5. Push the tabs until the spool cover clicks into position..

10.4 INSTALL THE CUTTING LINE

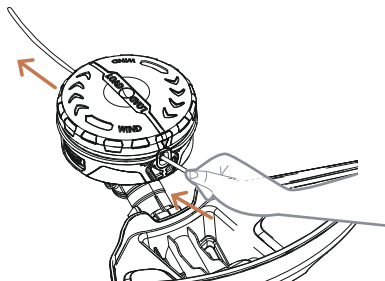
i NOTE

Do not put more than 15 feet of cutting line in at a time.

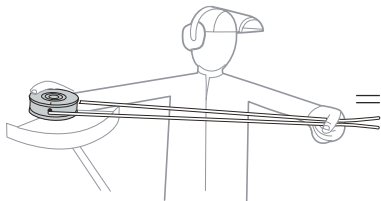
1. Remove the remaining cutting line on the spool.
2. Line up the slot on the spool cap with the line exist hole on the trimmer head.



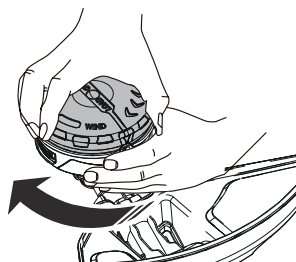
3. Put the cutting line through the hole. Push the cutting line until it exits the opposite hole.



4. Pull the cutting line through until there is an equal quantity of cutting line on each side.

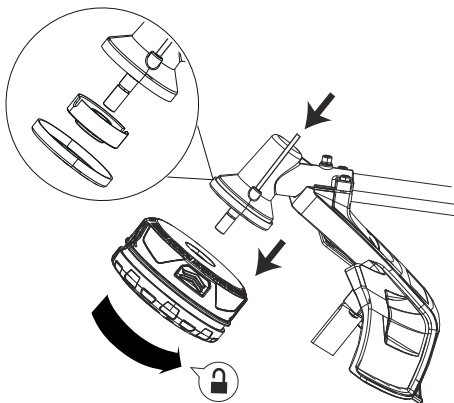


5. Turn the spool cap clock-wise to wind the cutting line into the trimmer head. Keep approximately 5 in of cutting line above out of each side of the trimmer head.



10.5 REMOVE THE TRIMMER HEAD

1. Put the metal rod in the specified angle transmission hole to fix the trimmer head.
2. Turn the trimmer head clockwise to loosen it. Do not remove the spacer from the shaft.



10.6 ASSEMBLE THE TRIMMER HEAD

1. Put the metal rod in the specified angle transmission hole to fix the trimmer head.
2. Assemble the trimmer head.
3. Turn the trimmer head counterclockwise to tighten it.
4. Remove the metal rod.

i IMPORTANT

You must install the cut-off blade when you use the trimmer head.

11 TRANSPORTATION AND STORAGE

▲ WARNING

Remove the battery pack from the machine before transportation and storage.

11.1 STORE THE MACHINE

- Remove the battery pack from the machine.
- Make sure that children cannot come near the machine.
- Keep the machine away from corrosive agents such as garden chemicals and de-icing salts.
- Secure the machine during transportation to prevent damage or injury. Clean and examine the machine for any damage.

12 TROUBLESHOOTING

Problem	Possible Cause	Solution
The machine does not start when the trigger is pushed.	No electrical contact between the machine and the battery pack.	1. Remove battery pack. 2. Check contact and install the battery pack again.
	The battery pack is depleted.	Charge the battery pack.
	The lock-out button and trigger are not pushed at the same time.	1. Pull the lock-out button rearward. 2. Pull the trigger to start the machine.

Problem	Possible Cause	Solution
The machine stops when you cutting.	The guard is not attached to the machine.	Remove the battery pack and attach the guard to the machine.
	Heavy cutting line is used.	Use only with the nylon cutting line of 0.095" (2.4 mm) diameter.
	The grass winds around the motor shaft or the trimmer head.	1. Stop the machine. 2. Remove the battery pack. 3. Remove the grass from the motor shaft and trimmer head.
	The motor is overloaded.	1. Remove the trimmer head from the grass. 2. The motor will recover to work as soon as the load is removed. 3. When you cut, move the trimmer head in and out of the grass to be cut and remove no more than 20 cm in pass.
	The battery pack or machine is too hot.	1. Cool the battery pack until its function returns to normal. 2. Cool the machine for approximately 10 minutes.
	The battery pack is disconnected from the tool.	Install the battery pack again.
	The battery pack is depleted.	Charge the battery pack.
The line does not extend.	Lines are welded to themselves.	Lubricate with silicone spray.
	Not enough line on the spool.	Install more line.
	Lines are worn and too short.	Extend the line.
	Lines are tangled on the spool.	1. Remove the lines from the spool. 2. Wind the lines.

Problem	Possible Cause	Solution
The line keeps breaking.	The machine is used incorrectly.	1. Cut with the tip of the line, avoid stones, walls and other hard objects. 2. Advance the cutting line regularly to keep full cutting width.
The grass winds around the trimmer head and motor housing.	Cut tall grass at ground level.	1. Cut tall grass from the top down. 2. Remove no more than 20 cm in each pass to prevent wrapping.
The line does not cut well.	The cut-off blade becomes dull.	Sharpen the cut-off blade with a file or replace it.
Vibration increases obviously.	The line is worn down at one side and not extended in time.	Make sure that the line on both sides is equal. Extend the line.

13 TECHNICAL DATA

Type	Cordless, battery powered
Motor	80V
No load speed	5000/6300±10% RPM
Cutting line diameter	0.095" (2.4 mm) spiral nylon line
Cutting path diameter	14" (356mm) / 16" (406 mm)
Feed Type	Bump Feed
Weight (without battery pack)	4.75 kg (10.47 lbs)
Battery model	BAT80V20A and other BAT 80V series
Charger model	CHA180VA2 and other CHA 80V series

The recommended ambient temperature range:

Item	Temperature
String trimmer storage temperature range	32°F (0°C) - 113°F (45°C)
String trimmer operation temperature range	32°F (0°C) - 113°F (45°C)

Item	Temperature
Battery charging temperature range	39°F (4°C) - 104°F (40°C)
Charger operation temperature range	39°F (4°C) - 104°F (40°C)
Battery storage temperature range	32°F (0°C) - 113°F (45°C)
Battery discharging temperature range	32°F (0°C) - 113°F (45°C)

14 LIMITED WARRANTY



BAD BOY hereby warrants this product, to the original purchaser with proof of purchase, for a period of four (4) years against defects in materials, parts or workmanship. BAD BOY, at its own discretion will repair or replace any and all parts found to be defective, through normal use, free of charge to the customer. This warranty is valid only for units which have been used for personal use that have not been hired or rented for industrial/commercial use, and that have been maintained in accordance with the instructions in the owners' manual supplied with the product from new.

ITEMS NOT COVERED BY WARRANTY:

- Any part that has become inoperative due to misuse, commercial use, abuse, neglect, accident, improper maintenance, or alteration; or
- The unit, if it has not been operated and/or maintained in accordance with the owner's manual; or
- Normal wear;
- Routine maintenance items such as lubricants, blade sharpening;
- Normal deterioration of the exterior finish due to use or exposure.

HELPLINE:

Warranty service is available by calling our toll-free helpline, at 888-227-9443.

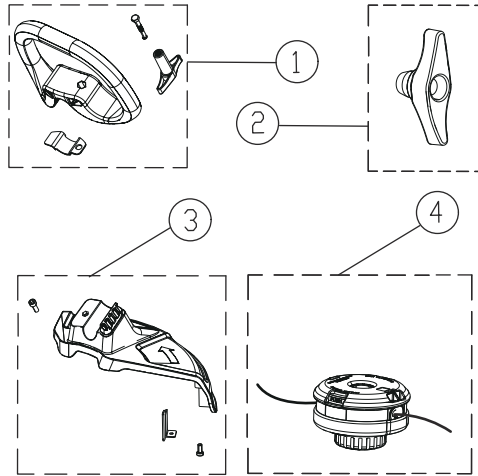
TRANSPORTATION CHARGES:

Transportation charges for the movement of any power equipment unit or attachment are the responsibility of the purchaser. It is the purchaser's responsibility to pay transportation charges for any part submitted for

replacement under this warranty unless such return is requested in writing by BAD BOY.

Company name: Bad Boy, Inc.
 Address: 102 Industrial Drive
 Batesville, Arkansas 72501

15 EXPLODED VIEW



No.	Part No.	Qty	Description	No.	Part No.	Qty	Description
1	RB311032461A	1	Auxiliary handle assembly	3	R0204808-00	1	Guard assembly
2	RA34107511C	1	Coupler knob	4	R0204809-00	1	String head assembly

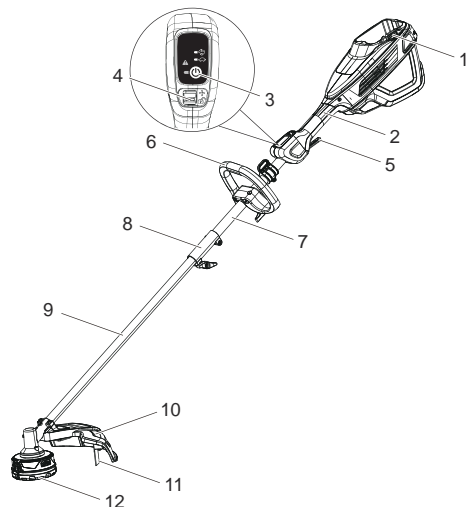
1	Descripción.....	17	9.2	Indicación de velocidad.....	22
1.1	Finalidad.....	17	9.3	Puesta en marcha de la máquina.....	22
1.2	Overview.....	17	9.4	Detención de la máquina.....	23
2	Instrucciones importantes de seguridad.....	17	9.5	Consejos de funcionamiento.....	23
3	Símbolos en el producto.....	18	9.6	Ajuste de la longitud del hilo de corte.....	23
4	Niveles de riesgo.....	19	9.7	Consejos de corte.....	23
5	Servicio.....	19	9.8	Cuchilla de corte de hilo.....	24
6	Eliminación de batería segura para el medio ambiente.....	19	9.9	Ajuste del diámetro de corte.....	24
7	Propuesta 65.....	20	10	Mantenimiento.....	24
8	Instalación.....	20	10.1	Información general.....	24
8.1	Desembalaje de la máquina.....	20	10.2	Limpieza de la máquina.....	25
8.2	Fijación de la protección.....	20	10.3	Retirada del hilo restante	25
8.3	Montaje del eje.....	21	10.4	Instalación del hilo de corte.....	25
8.4	Fijación del asa auxiliar.....	21	10.5	Retirada del cabezal de corte.....	26
8.5	Instalación de la batería.....	22	10.6	Montaje del cabezal de corte.....	26
8.6	Retirada de la batería.....	22	11	Transporte y almacenamiento..	26
9	Funcionamiento.....	22	11.1	Almacenamiento de la máquina.....	26
9.1	Botón de encendido/apagado.....	22	12	Solución de problemas.....	26
			13	Datos técnicos.....	27
			14	Garantía limitada.....	28
			15	Vista despiezada.....	29

1 DESCRIPCIÓN

1.1 FINALIDAD

Esta máquina se utiliza para cortar hierba, maleza ligera y otra vegetación similar a nivel del suelo. El plano de corte debe estar aproximadamente paralelo a la superficie del suelo. No puede utilizar la máquina para cortar o podar setos, arbustos, matorrales, flores y compost.

1.2 OVERVIEW



- 1 Botón de desbloqueo de la batería
- 2 Asa trasera
- 3 Botón de encendido/apagado
- 4 Botón de desbloqueo/Botón de velocidad
- 5 Switch trigger
- 6 Asa auxiliar
- 7 Eje superior
- 8 Acoplamiento
- 9 Eje inferior
- 10 Protección
- 11 Cuchilla de corte
- 12 Cabezal de corte

2 INSTRUCCIONES IMPORTANTES DE SEGURIDAD

LEA TODAS LAS INSTRUCCIONES ANTES DEL USO (DE ESTA HERRAMIENTA ELÉCTRICA)

▲ AVISO

Debe leer y entender todas las instrucciones antes de utilizar este producto. El incumplimiento de las instrucciones indicadas a continuación puede provocar descargas eléctricas, incendios o lesiones personales graves.

- Utilice únicamente accesorios y piezas de repuesto del fabricante. El uso de cualquier otra pieza puede generar un riesgo o producir daños en el producto.
- Lleve siempre gafas de seguridad con protectores laterales marcadas para cumplir la ANSI Z87.1. Las gafas normales solo tienen lentes resistentes a impactos. NO son gafas de seguridad. Si sigue esta regla reducirá el riesgo de lesiones oculares. Utilice una máscara facial si trabaja en entornos polvorientos.
- Evite los entornos peligrosos – No exponga las herramientas eléctricas a condiciones de humedad. Si penetra agua en una herramienta eléctrica, aumentará el riesgo de descarga eléctrica.
- No utilice bajo la lluvia.
- Mantenga a todos los transeúntes, niños y mascotas al menos a una distancia mínima de 15 m (50 pies).
- Vestirse adecuadamente – No lleve ropa ni joyas sueltas. Pueden quedar atrapadas en las piezas móviles. Se recomienda el uso de guantes de goma y calzado resistente cuando se trabaje en el exterior. Lleve una protección capilar para sujetar el cabello largo.
- Utilice el aparato adecuado. No utilice el aparato para trabajos distintos del previsto.
- Evite el arranque accidental. Asegúrese de que el interruptor esté en la posición de apagado antes de conectar a la batería y al coger o transportar el aparato. El transporte del aparato con el dedo en el interruptor o la conexión de un aparato que tiene el interruptor activado fomenta los accidentes.
- No fuerce el aparato – Hará el trabajo mejor y con menos probabilidades de sufrir lesiones a la velocidad para la que se diseñó.
- No se estire – Mantenga en todo momento una postura adecuada y el equilibrio.
- Permanezca atento – Observe lo que está haciendo. Utilice el sentido común. No utilice este aparato cuando esté cansado, enfermo o bajo la influencia de alcohol, drogas o medicamentos.
- Almacene siempre las herramientas eléctricas inactivas en interior – Cuando no estén en uso, las herramientas eléctricas deben almacenarse en interior, en un lugar seco, fuera del alcance de los niños.
- La máquina no debe ser utilizada por personas (niños incluidos) con una discapacidad física, sensorial o mental, o que no tengan experiencia ni conocimientos, a menos que hayan recibido

supervisión o instrucción sobre el uso de la máquina por una persona responsable de su seguridad. Supervise siempre a los niños para asegurarse de que no jueguen con la máquina.




- Mantenga el aparato con cuidado – Sustituya el cabezal de hilo si está agrietado, astillado o dañado de alguna manera. Asegúrese de que el cabezal de hilo esté correctamente instalado y bien fijado. Mantenga el filo afilado y limpio para un mejor rendimiento y para reducir el riesgo de lesiones. Siga las instrucciones para la lubricación y el cambio de accesorios. Inspeccione periódicamente el cable del aparato, y si está dañado, haga que lo repare un centro de servicio técnico autorizado. Inspeccione periódicamente los cables alargadores y sustitúyalos si están dañados. Mantenga las asas secas, limpias y sin restos de aceite y grasa. De no hacerlo podrían producirse lesiones graves.
- Compruebe las piezas dañadas antes de utilizar el aparato, una protección u otra pieza dañada debe comprobarse detenidamente para determinar si funcionará correctamente y cumplirá su función prevista. Compruebe la alineación de las piezas móviles, la unión de las partes móviles, la rotura de piezas, los montajes dañados y cualquier otra condición que pueda afectar a su funcionamiento. Una protección u otra pieza que esté dañada debe ser reparada o sustituida debidamente por un centro de servicio autorizado, a menos que se indique lo contrario en este manual.
- Retire o desconecte la batería antes de reparar, limpiar o retirar material del aparato de jardinería.
- No modifique ni intente reparar el aparato o la batería (según corresponda), excepto lo indicado en las instrucciones de uso y cuidado. Utilice los aparatos únicamente con las baterías designadas específicamente. El uso de cualquier otra batería puede dar lugar a un riesgo de lesiones e incendio. Utilice únicamente con la batería Greenworks BAT80V20A u otra serie BAT 80V.
- Recargue solo con el cargador especificado por el fabricante. Un cargador adecuado para un tipo de batería crear a un riesgo de incendio cuando se utiliza con otro tipo de batería. Utilice únicamente con el cargador Greenworks CHA180VA2 u otra serie CHA 80V.
- Cuando la batería no esté en uso, manténgala alejada de otros objetos metálicos como clips, monedas, llaves, clavos, tornillos u otros objetos metálicos pequeños que puedan hacer una conexión entre los terminales. El cortocircuito de los terminales de la batería puede provocar quemaduras o un incendio.
- Bajo condiciones abusivas, es posible que salga líquido de la batería; evite el contacto. En caso de un contacto accidental, lavar con abundante agua. Si el líquido entra en contacto con los ojos, busque también atención médica. El líquido de la batería puede provocar irritación o quemaduras.

- No utilice una batería o un aparato que haya sufrido daños o modificaciones. Las baterías dañadas o modificadas pueden exhibir un comportamiento impredecible que puede causar un incendio, una explosión o un riesgo de lesiones.
- No exponga una batería o un aparato al fuego ni a temperaturas excesivas. La exposición al fuego o a una temperatura superior a 265 °F (130 °C) puede provocar una explosión.
- No deseche las baterías en el fuego. Las celdas pueden explotar. Contacte a las autoridades locales para informarse sobre las posibles instrucciones del desecho.
- No abra ni destruya las baterías. El electrolito liberado es corrosivo y puede producir daños a los ojos o la piel. Puede ser tóxico si se traga.
- Tenga cuidado con el manejo de las baterías para no cortocircuitarlas con materiales conductores como anillos, pulseras y llaves. La batería o el conductor puede sobrecalentarse y producir quemaduras.
- Siga todas las instrucciones de carga y no cargue la batería o el aparato fuera del intervalo de temperatura especificado en las instrucciones. La carga incorrecta o a temperaturas fuera del intervalo especificado puede dañar la batería y aumentar el riesgo de incendio.
- Solicite a un técnico de reparación cualificado que realice las tareas de servicio utilizando únicamente piezas de repuesto idénticas. Esto garantizará el mantenimiento de la seguridad del producto.
- Mantenga las protecciones en su posición y en estado de funcionamiento.
- Mantenga las manos y los pies alejados de la zona de corte.
- Desconecte la batería del aparato antes de realizar ajustes, cambiar accesorios o almacenarlo. Estas medidas de seguridad preventivas reducen el riesgo de que el aparato se ponga en marcha accidentalmente.
- Utilice únicamente con el hilo de corte de nylon en espiral de 0.095" (2.4 mm) de diámetro. No utilice hilos más fuertes de lo recomendado por el fabricante ni materiales de hilo de otros tipos –por ejemplo, alambre, cuerda y similar.

CONSERVE ESTAS INSTRUCCIONES




3 SÍMBOLOS EN EL PRODUCTO

En esta herramienta pueden utilizarse algunos de los siguientes símbolos. Le rogamos que los estudie y aprenda su significado. La interpretación correcta de estos símbolos le permitirá manejar la herramienta mejor y de manera más segura.

Símbolo	Explicación
	Debe leer y entender todas las instrucciones antes de manejar el producto, así como seguir todas las advertencias e instrucciones de seguridad.
	Lleve protección ocular y auditiva.
	No exponga a la lluvia ni a condiciones de humedad.
	Cuidado con los objetos proyectados o volantes. Mantenga a todos los transeúntes, especialmente a los niños y las mascotas, a una distancia de seguridad de al menos 15 m de la superficie de trabajo.
	Mantenga a los transeúntes a una distancia segura del producto.
	El nivel de volumen acústico garantizado es de 96 dB.

4 NIVELES DE RIESGO

Las siguientes indicaciones y los significados explican los niveles de riesgo asociados a este producto.

SÍMBOLO	INDICACIÓN	SIGNIFICADO
	PELIGRO	Indica una situación de peligro inminente que, de no evitarse, provocará lesiones graves o incluso la muerte.
	ADVERTENCIA	Indica una situación de peligro potencial que, de no evitarse, podría provocar lesiones graves o incluso la muerte.
	PRECAUCIÓN	Indica una situación de peligro potencial que, de no evitarse, puede provocar lesiones leves o moderadas.
	PRECAUCIÓN	(Sin símbolo de alerta sobre seguridad) Indica una situación que puede provocar daños materiales.

5 SERVICIO

Las tareas de servicio exigen un cuidado extremo así como conocimientos y deben ser realizadas únicamente por un técnico de servicio cualificado. Para cuestiones de servicio, le recomendamos que devuelva la máquina al CENTRO DE SERVICIO AUTORIZADO más cercano para su reparación. Utilice únicamente accesorios y piezas de repuesto idénticos del fabricante.

6 ELIMINACIÓN DE BATERÍA SEGURA PARA EL MEDIO AMBIENTE



Los materiales tóxicos y corrosivos que figuran a continuación se encuentran en las baterías utilizadas en esta máquina: **Ion de litio, un material tóxico.**

▲ AVISO

Deseche todos los materiales tóxicos de una manera especificada para evitar la contaminación del medio ambiente. Antes de desechar una batería de iones de litio dañada o agotada, contacte con la agencia local de eliminación de residuos o con la agencia de protección medioambiental local para obtener información e instrucciones específicas. Lleve las baterías a un centro de reciclaje o eliminación local certificado para la eliminación de los iones de litio.

▲ AVISO

Si la batería se agrieta o se rompe, con o sin fugas, no la recargue ni la utilice. Deséchela y sustitúyala por una batería nueva. ¡NO INTENTE REPARARLA! Para evitar lesiones y riesgos de incendio, explosión o descarga eléctrica, y para evitar daños al medio ambiente:

- Cubra los terminales de la batería con cinta adhesiva resistente.
- NO intente retirar o destruir ninguno de los componentes de la batería.
- NO intente abrir la batería.
- Si se produce una fuga, los electrolitos liberados son corrosivos y tóxicos. NO deje que la solución entre en contacto con los ojos o la piel, y no la ingiera.
- NO deseche estas baterías con la basura doméstica normal.
- NO incinere.
- NO lleve las baterías a lugares donde formarán parte de vertederos de residuos o flujos de residuos sólidos urbanos.
- Llévelas a un centro de reciclaje o eliminación certificado.

7 PROPUESTA 65

▲ AVISO

Este producto contiene una sustancia química conocida en el estado de California como causante de cáncer, defectos de nacimiento u otros daños reproductivos. El polvo generado por el lijado eléctrico, el serrado, el esmerilado, la perforación y otras actividades de construcción contiene sustancias químicas que se sabe que son causantes de cáncer, defectos de nacimiento u otros daños reproductivos. Algunos ejemplos de estas sustancias químicas son:

- Plomo de pinturas con base de plomo;
- Sílice cristalina de ladrillos y cemento y otros productos de albañilería;
- Arsénico y cromo de la madera tratada químicamente.

El riesgo de exposición a estas sustancias químicas varía según la frecuencia con la que realice este tipo de trabajo. Para reducir su exposición a estas sustancias químicas, trabaje en una zona bien ventilada y trabaje con equipos de seguridad aprobados, como máscaras antipolvo, que estén especialmente diseñadas para filtrar partículas microscópicas.

8 INSTALACIÓN

8.1 DESEMBALAJE DE LA MÁQUINA

▲ AVISO

Asegúrese de montar correctamente la máquina antes del uso.

▲ AVISO

- Si las piezas de la máquina presentan daños, no utilice la máquina.
- Si faltan piezas, no haga funcionar la máquina.
- Si faltan piezas o hay piezas dañadas, contacte el centro de servicio.

1. Abra el embalaje.
2. Lea la documentación que se encuentra en la caja.
3. Retire todas las piezas sin montar de la caja.
4. Retire la máquina de la caja.
5. Deseche la caja y el material de embalaje de conformidad con los reglamentos locales.

▲ AVISO

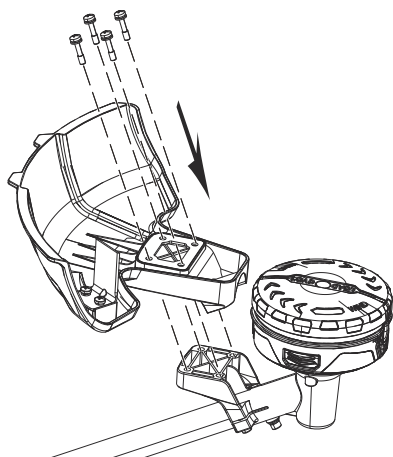
Por su seguridad personal, no inserte la batería antes de haber montado la herramienta por completo.

8.2 FIJACIÓN DE LA PROTECCIÓN

▲ AVISO

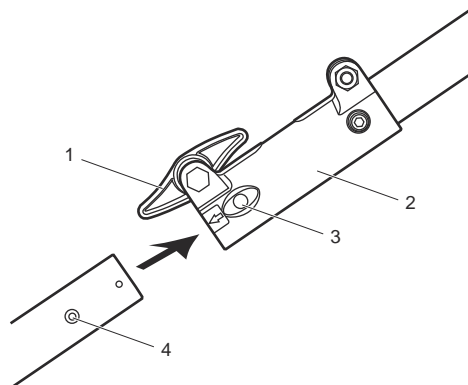
No toque la cuchilla de corte.

1. Retire los tornillos del cabezal de corte con un destornillador (no incluido).
2. Ponga la protección sobre el cabezal de corte.
3. Alinee los orificios de tornillos de la protección con los orificios de tornillo del cabezal de corte.
4. Apriete los tornillos.

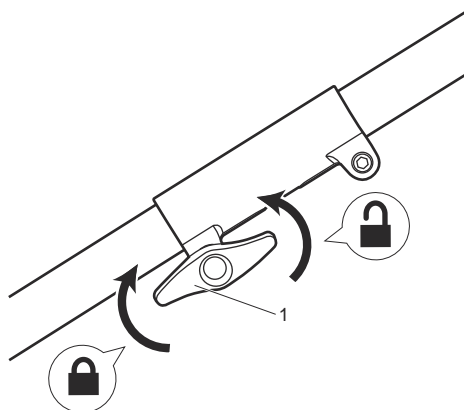


8.3 MONTAJE DEL EJE

1. Afloje el mando (1) del acoplamiento (2).
2. Pulse el botón (4) de desbloqueo del eje inferior.

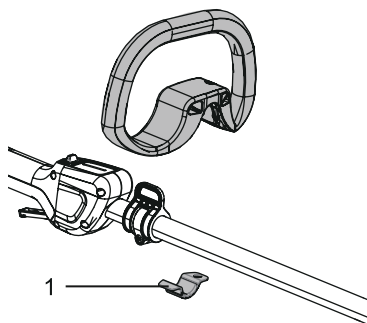


3. Alinee el botón de desbloqueo con el orificio (3) de posicionamiento y mueva los dos ejes.
4. Gire el eje inferior hasta que el botón se bloquee en el orificio de posicionamiento.
5. Apriete el mando.

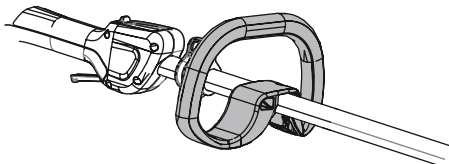


8.4 FIJACIÓN DEL ASA AUXILIAR

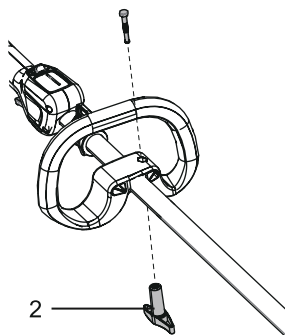
1. Retire el mando del asa.
2. Fije el asa auxiliar y la abrazadera inferior (1) en el eje.



3. Sitúe el asa auxiliar en una posición cómoda.



4. Introduzca el perno por los orificios.
5. Apriete el asa auxiliar con el mando (2).



8.5 INSTALACIÓN DE LA BATERÍA

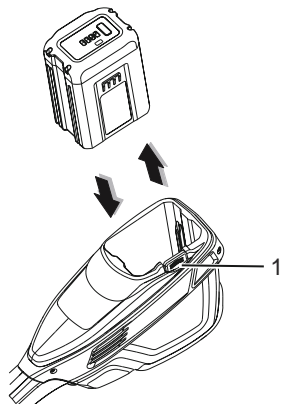
▲ AVISO

- Si la batería o el cargador ha sufrido daños, sustituya la batería o el cargador.
- Detenga la máquina y espere hasta que el motor se pare antes de instalar o retirar la batería.
- Debe leer y entender las instrucciones del manual de la batería y el cargador.

1. Alinee las nervaduras de la batería con las ranuras del compartimento de la batería.
2. Introduzca la batería en el compartimento de la batería hasta que encaje en su posición.
3. Cuando escuche un clic, la batería está instalada.

8.6 RETIRADA DE LA BATERÍA

1. Pulse y mantenga pulsado el botón de desbloqueo de la batería (1).
2. Retire la batería de la máquina.



9 FUNCIONAMIENTO

i IMPORTANTE

Antes de utilizar la máquina, debe leer y entender las normas de seguridad y las instrucciones de funcionamiento.

▲ AVISO

Tenga cuidado cuando utilice la máquina.

9.1 BOTÓN DE ENCENDIDO/ APAGADO



Pulse este botón para encender y apagar la alimentación para la máquina.

Piloto verde encendido: el circuito eléctrico de la máquina está activado (ON). La máquina se prepara para funcionar.

i NOTA

Si no utiliza la máquina durante más de 30 s, la máquina se detiene.

Pilotos apagados: el circuito eléctrico está desactivado (OFF).

i IMPORTANTE

No mantenga el dedo sobre el botón cuando mueva la máquina para evitar la puesta en marcha accidental.

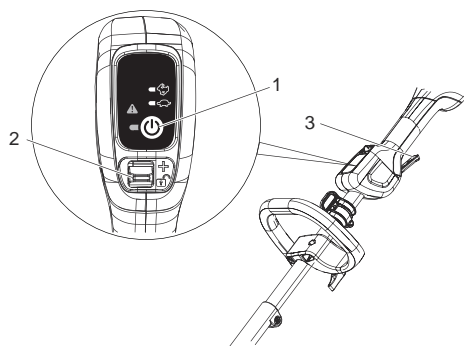
9.2 INDICACIÓN DE VELOCIDAD



1. El piloto del conejo se enciende cuando ajusta la velocidad alta.
2. El piloto de la tortuga se enciende cuando ajusta la velocidad baja.

9.3 PUESTA EN MARCHA DE LA MÁQUINA

1. Pulse el botón de encendido/apagado (1).
2. Tire el botón de desbloqueo (2) hacia atrás.
3. Apriete el gatillo (3).
4. Pulse el botón de velocidad (2) hacia delante para aumentar la velocidad media de corte en función de las condiciones de la hierba.



9.4 DETENCIÓN DE LA MÁQUINA

1. Suelte el gatillo para detener la máquina.

9.5 CONSEJOS DE FUNCIONAMIENTO

▲ AVISO

Mantenga un espacio entre el cuerpo y la máquina.

▲ AVISO

No utilice la máquina sin la protección en su posición.

Le sugerimos lo siguiente cuando utilice la máquina:

- Mantenga la máquina conectada al arnés correctamente colocado.
- Mantenga una posición firme con dos manos en la máquina mientras la utiliza.
- Corte la hierba alta de arriba a abajo.

Si se enrolla hierba alrededor del cabezal de corte:

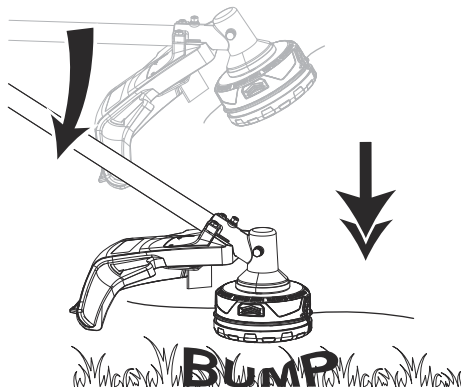
- Retire la batería.
- Quite la hierba.



9.6 AJUSTE DE LA LONGITUD DEL HILO DE CORTE

Mientras utiliza la máquina, el hilo de corte se desgasta y se acorta. Puede ajustar la longitud del hilo de corte.

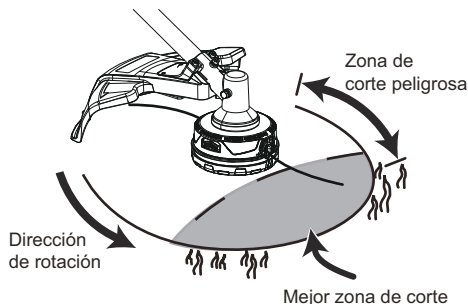
1. Golpee el cabezal de corte contra el suelo mientras utiliza la máquina.
2. El hilo se libera automáticamente y la cuchilla de corte corta la longitud sobrante.



9.7 CONSEJOS DE CORTE

- Incline la máquina hacia la zona que va a cortar. Utilice la punta del hilo de corte para cortar hierba.

- Mueva la máquina de derecha a izquierda para evitar que los residuos despedidos golpeen al operario.
- No corte en la zona peligrosa.
- No fuerce el cabezal de corte en hierba sin cortar.
- Las cercas de alambres y estacas provocan el desgaste y la rotura del hilo de corte. Las paredes de piedra y de ladrillo, los bordillos y la madera pueden desgastar rápidamente el hilo de corte.



9.8 CUCHILLA DE CORTE DE HILO

Este cortabordes está equipado con una cuchilla de corte de hilo en la protección. La cuchilla de corte de hilo recorta continuamente el hilo para garantizar un diámetro de corte uniforme y eficaz. Avance el hilo cada vez que escuche que el motor funciona más rápido de lo normal, o cuando la eficiencia del corte disminuya. Esto mantendrá el mejor rendimiento y mantendrá el hilo el tiempo suficiente para avanzar adecuadamente.

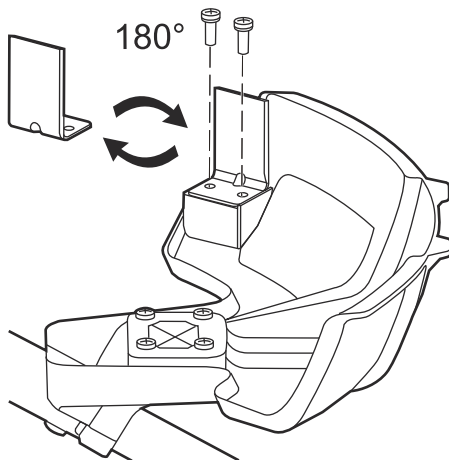
9.9 AJUSTE DEL DIÁMETRO DE CORTE

i NOTA

La máquina está ajustada a un diámetro de corte de 16" (406 mm). Puede ajustarla a un diámetro de corte de 14" (356mm).

Ajuste el diámetro de corte a para un tiempo de funcionamiento mayor y a para una zona de corte más extensa.

1. Retire la batería.
2. Retire los tornillos de la cuchilla de la cuchilla de corte.
3. Gire la cuchilla de corte 180°.
4. Apriete los tornillos de la cuchilla.



10 MANTENIMIENTO

i IMPORTANTE

Debe leer y entender los reglamentos de seguridad y las instrucciones de mantenimiento antes de limpiar, reparar o realizar tareas de mantenimiento en la máquina.

i IMPORTANTE

Asegúrese de que todas las tuercas, los pernos y los tornillos estén apretados. Compruebe periódicamente que las asas estén firmemente montadas.

i IMPORTANTE

Utilice únicamente las piezas de repuesto y los accesorios del fabricante original.

10.1 INFORMACIÓN GENERAL

i IMPORTANTE

Únicamente un distribuidor o un centro de servicio autorizado puede realizar el mantenimiento que no se indica en este manual.

Antes de las operaciones de mantenimiento:

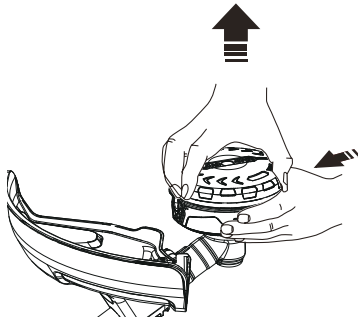
- Detenga la máquina.
- Retire la batería.
- Deje que se enfríe el motor.
- Utilice ropa adecuada, guantes protectores y gafas de seguridad.

10.2 LIMPIEZA DE LA MÁQUINA

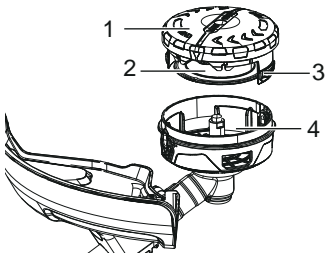
- Limpie la máquina después de cada uso con un paño húmedo humedecido en detergente neutro.
- No utilice detergentes o disolventes agresivos como "limpiacristales" para limpiar las piezas de plástico o las aspas.
- Mantenga el cabezal de corte libre de hierba, hojas o grasa excesiva.
- Mantenga los respiraderos limpios y libres de residuos para evitar el sobrecalentamiento y daños en el motor.
- No pulverice agua sobre el motor ni los componentes eléctricos.

10.3 RETIRADA DEL HILO RESTANTE

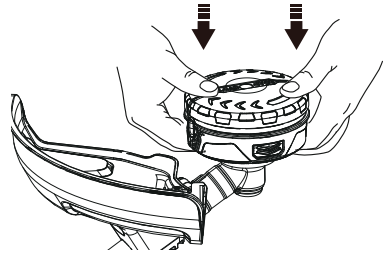
1. Presione las pestañas (3) de los laterales del cabezal de corte al mismo tiempo.



2. Tire para retirar la cubierta del carrete.
3. Retire el hilo de corte restante.



4. Ponga la cubierta del carrete en la carcasa del carrete (4).



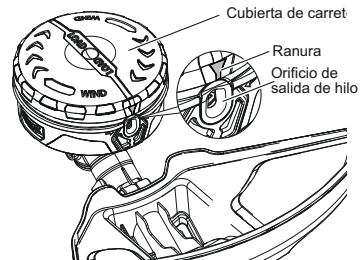
5. Presione las pestañas hasta que la cubierta del carrete encaje en su posición.

10.4 INSTALACIÓN DEL HILO DE CORTE

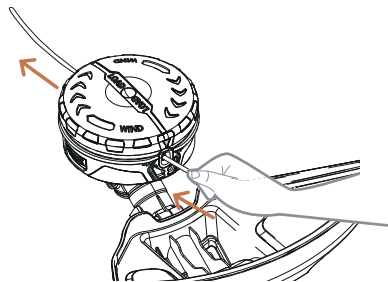
¡ NOTA

No ponga más de 5 m (15 pies) de hilo de corte cada vez.

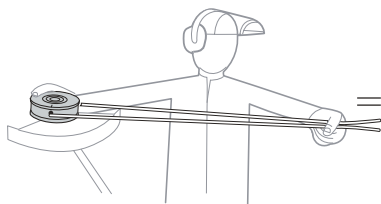
1. Retire el hilo de corte restante del carrete.
2. Alinee la ranura de la tapa del carrete con el orificio de salida de hilo del cabezal de corte.



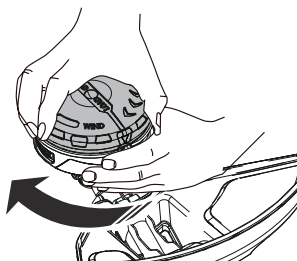
3. Introduzca el hilo de corte por el orificio. Introduzca el hilo de corte hasta que salga por el orificio contrario.



4. Tire del hilo de corte hasta que haya una cantidad igual de hilo de corte a cada lado.

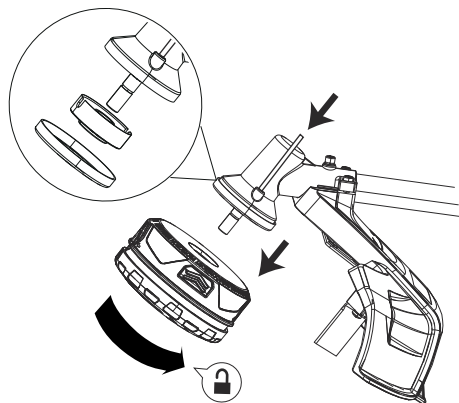


5. Gire la tapa del carrete en sentido horario para enrollar el hilo de corte en el cabezal de corte. Mantenga aproximadamente 12,5 cm (5 pulg.) de hilo de corte por encima de cada lado del cabezal de corte.



10.5 RETIRADA DEL CABEZAL DE CORTE

1. Coloque la varilla metálica en el orificio de transmisión del ángulo especificado para fijar el cabezal de corte.
2. Gire el cabezal de corte en sentido horario para aflojarlo. No retire el espaciador del eje.



10.6 MONTAJE DEL CABEZAL DE CORTE

1. Coloque la varilla metálica en el orificio de transmisión del ángulo especificado para fijar el cabezal de corte.
2. Monte el cabezal de corte.
3. Gire el cabezal de corte en sentido antihorario para apretarlo.
4. Retire la varilla metálica.

¡ IMPORTANTE

Debe instalar la cuchilla de corte cuando utilice el cabezal de corte.

11 TRANSPORTE Y ALMACENAMIENTO

▲ AVISO

Retire la batería de la máquina antes del transporte y el almacenamiento.

11.1 ALMACENAMIENTO DE LA MÁQUINA

- Retire la batería de la máquina.
- Asegúrese de que los niños no puedan acercarse a la máquina.
- Mantenga la máquina alejada de agentes corrosivos, como sustancias químicas para jardín y sales para descongelación.
- Fije la máquina durante el transporte para evitar daños o lesiones. Limpie y examine si hay daños en la máquina.

12 SOLUCIÓN DE PROBLEMAS

Problema	Posible causa	Solución
La máquina no se pone en marcha cuando aprieta el gatillo.	No hay contacto eléctrico entre la máquina y la batería.	1. Retire la batería. 2. Compruebe el contacto e instale de nuevo la batería.
	La batería se ha agotado.	Cargue la batería.
	El botón de desbloqueo y el gatillo no se presionan al mismo tiempo.	1. Tire el botón de desbloqueo hacia atrás. 2. Apriete el gatillo para poner en marcha la máquina.

Problema	Posible causa	Solución
La máquina se detiene cuando corta.	La protección no está fijada a la máquina.	Retire la batería y fije la protección a la máquina.
	Se utiliza un hilo de corte pesado.	Utilice únicamente con el hilo de corte de nailon de 0.095" (2.4 mm) de diámetro.
La hierba se enrolla alrededor del eje del motor o del cabezal de corte.		<ol style="list-style-type: none"> 1. Detenga la máquina. 2. Retire la batería. 3. Retire la hierba del eje del motor y del cabezal de corte.
El motor se ha sobrecargado.		<ol style="list-style-type: none"> 1. Retire el cabezal de corte de la hierba. 2. El motor se recuperará para funcionar en cuanto se retire la carga. 3. Cuando corte, mueva el cabezal de corte hacia dentro y fuera de la hierba que va a cortar y quite no más de 20 cm en cada pasada.
La batería o la máquina está demasiado caliente.		<ol style="list-style-type: none"> 1. Deje enfriar la batería hasta que el funcionamiento vuelva a la normalidad. 2. Deje enfriar la máquina durante aproximadamente 10 minutos.
La batería se ha desconectado de la herramienta.		Instale de nuevo la batería.
La batería se ha agotado.		Cargue la batería.

Problema	Posible causa	Solución
El hilo no se extiende.	Los hilos se han quedado soldados.	Lubrique con spray de silicona.
	No hay suficiente hilo en el carrete.	Instale más hilo.
	Los hilos se desgastan y son demasiado cortos.	Extienda el hilo.
	Los hilos están enredados en el carrete.	<ol style="list-style-type: none"> 1. Retire los hilos del carrete. 2. Enrolle los hilos.
El hilo se rompe continuamente.	La máquina se está utilizando incorrectamente.	<ol style="list-style-type: none"> 1. Corte con la punta del hilo, evite piedras, paredes y otros objetos duros. 2. Avance el hilo de corte periódicamente para mantener el ancho de corte completo.
La hierba se enrolla alrededor del cabezal de corte y de la carcasa del motor.	Corte la hierba alta al nivel del suelo.	<ol style="list-style-type: none"> 1. Corte la hierba alta de arriba a abajo. 2. No quite más de 20 cm en cada pasada para evitar que se enrolle.
El hilo no corta bien.	La cuchilla de corte se ha desafilado.	Afile la cuchilla de corte con una lima o sustitúyala.
Las vibraciones aumentan notablemente.	El hilo está gastado en un lado y no se ha extendido a tiempo.	Asegúrese de que el hilo a ambos lados esté igual. Extienda el hilo.

13 DATOS TÉCNICOS

Tipo	Inalámbrico, con funcionamiento a batería
Motor	80V
Velocidad sin carga	5000/6300±10% RPM
Diámetro de hilo de corte	Hilo de nailon en espiral de 0.095" (2.4 mm)
Diámetro de recorrido de corte	14" (356mm) / 16" (406 mm)
Tipo de alimentación	Avance por sacudida

Peso (sin batería)	4.75 kg (10.47 lbs)
Modelo de batería	BAT80V20A y otras series BAT 80V
Modelo de cargador	CHA180VA2 y otras series CHA 80V

El intervalo de temperatura ambiente recomendado:

Elemento	Temperatura
Intervalo de temperatura de almacenamiento del cortabordes	32°F (0°C) - 113°F (45°C)
Intervalo de temperatura de funcionamiento del cortabordes	32°F (0°C) - 113°F (45°C)
Intervalo de temperatura de carga de la batería	39°F (4°C) - 104°F (40°C)
Intervalo de temperatura de funcionamiento del cargador	39°F (4°C) - 104°F (40°C)
Intervalo de temperatura de almacenamiento de la batería	32°F (0°C) - 113°F (45°C)
Intervalo de temperatura de descarga de la batería	32°F (0°C) - 113°F (45°C)

2. La unidad, si no ha sido utilizada o mantenida de acuerdo con el manual del propietario; o
3. Desgaste normal;
4. Artículos de mantenimiento de rutina tales como lubricantes, afilado de cuchillas;
5. Deterioro normal del acabado exterior debido al uso o la exposición.

LÍNEA DE ASISTENCIA TELEFÓNICA:

Puede contactar con el servicio de garantía llamando a nuestra línea de asistencia telefónica gratuita, a 888-227-9443.

COSTES DE TRANSPORTE:

Los costes de transporte por el desplazamiento de cualquier unidad o accesorio de equipos eléctricos son responsabilidad del comprador. Es responsabilidad del comprador pagar los costes de transporte de cualquier pieza enviada para su sustitución bajo esta garantía, a menos que dicha devolución sea solicitada por escrito por BAD BOY.

Nombre de empresa: Bad Boy, Inc.
 Dirección: 102 Industrial Drive
 Batesville, Arkansas 72501

14 GARANTÍA LIMITADA

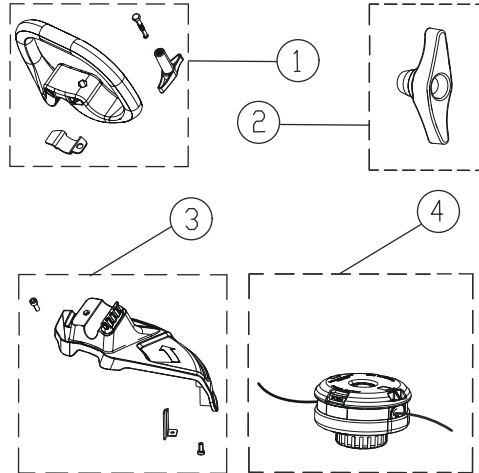


Por la presente BAD BOY garantiza este producto, al comprador original con el comprobante de compra, durante un periodo de cuatro (4) años frente a defectos en materiales, piezas o mano de obra. A su entera discreción BAD BOY reparará o sustituirá cualquiera y todas las piezas que resulten ser defectuosas, con un uso normal, sin coste alguno para el cliente. Esta garantía es válida únicamente para unidades que se hayan utilizado para uso personal que no han sido arrendadas o alquiladas para uso industrial/comercial y cuyo mantenimiento se ha realizado de acuerdo con las instrucciones del manual del propietario suministrado con el producto nuevo.

ARTÍCULOS NO CUBIERTOS POR LA GARANTÍA:

1. Cualquier pieza que no funcione debido a mal uso, uso comercial, abuso, negligencia, accidente, mantenimiento inadecuado o alteración; o

15 VISTA DESPIEZADA



Nº.	Nº pieza	Can t.	Descripción	Nº.	Nº pieza	Ca nt.	Descripción
1	RB311032461A	1	Conjunto de asa auxiliar	3	R0204808-00	1	Conjunto de cabezal de corte
2	RA34107511C	1	Mando de acoplamiento	4	R0204809-00	1	Conjunto de cabezal de corte

badboymowers.com



P0804453-00 Rev B