



WALK-BEHIND MODEL

ZERO-TURN MOWER OWNER'S PARTS MANUAL

Before ordering parts please check for the latest parts manual update at www.badboymowers.com

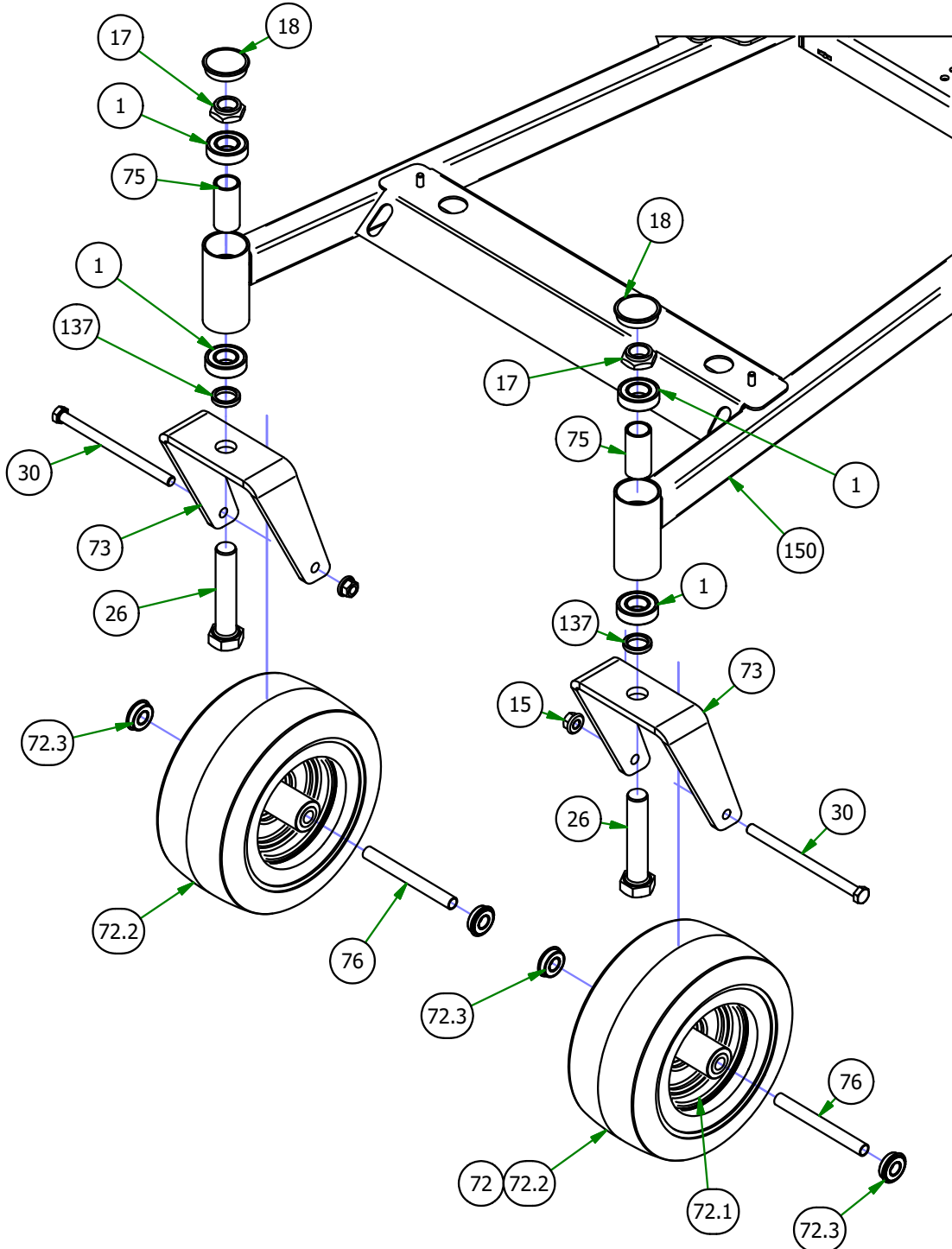
Released
1/18/2021



BAD BOY MOWERS

PARTS SECTION: FRONT END

ITEM	QTY	PART NUMBER	DESCRIPTION	ITEM	QTY	PART NUMBER	DESCRIPTION
1	4	010-1050-00	1641 BEARING W/2 CONTACT RUBBER SEALS	72.2	1	022-2012-00	11x4.00 - 5 Tire Only
15	2	013-8050-00	1/2-13 NYLON INSERT FLANGE LOCKNUT ZINC	72.3	1	022-7009-00	Ball Bearing w/Retainer, 99502H-NR, .625 Bore x 1.375 OD x .4375 Width
17	2	013-9004-00	1"-14 NYLON INSERT JAM LOCKNUT ZINC	73	2	023-0002-00	2017 MZ Front fork
18	2	014-2025-00	2017 Bearing Cover	75	2	025-0003-00	2016 Front Bearing Spacer
26	2	018-0005-00	1"-14 X 5 HEX CAP SCREW (GR.8) ZINC YELLOW	76	2	025-0008-00	Front Wheel Spanner
30	2	018-0035-00	1/2-13 X 7-1/2 HEX CAP SCREW (GR.5) ZINC	137	2	058-1000-00	Spacer, 1x1.375x.25
72	2	022-8049-19	11x6-5 front tire & wheel assembly (Kenda)	150	1	070-5101-00	2020 Walk Behind Frame - Welded Assembly
72.1	1	022-2013-00	Front wheel				

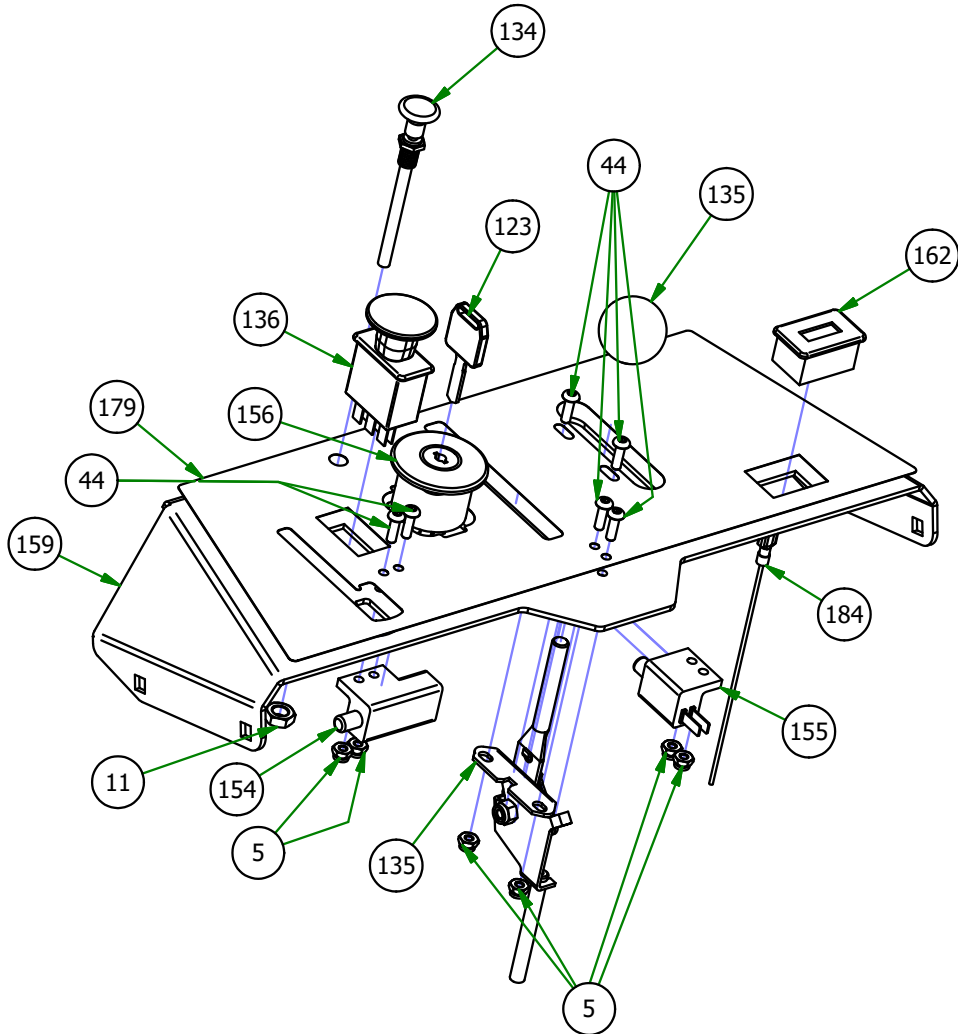




BAD BOY MOWERS

PARTS SECTION: CONTROL PANEL

ITEM	QTY	PART NUMBER	DESCRIPTION	ITEM	QTY	PART NUMBER	DESCRIPTION
5	6	013-5019-00	10-24 NYLON INSERT LOCKNUT ZINC	154	1	077-0001-00	Brake switch 4 prong
11	1	013-6051-00	3/8-24 HEX NUT ZINC YELLOW	155	1	077-0002-00	safety Switch
44	6	018-5200-00	10-24 X 5/8 BUTTON SOCKET CAP SCREW 18-8 STAINLESS STEEL	156	1	077-0003-00	Ignition Switch
123	1	042-9000-00	Ignition Key	159	1	079-0035-00	2020 Walk Control Panel
134	1	054-8017-00	Choke	162	1	083-4013-00	Tachometer
135	1	055-8020-00	Throttle Lever Assembly	179	1	091-4055-00	2020 Walk Control Panel Decal
136	1	056-8058-00	PTO Engager	184	1	216-1000-17	2017 MZ/ZT/MAV Tach Wire Assy

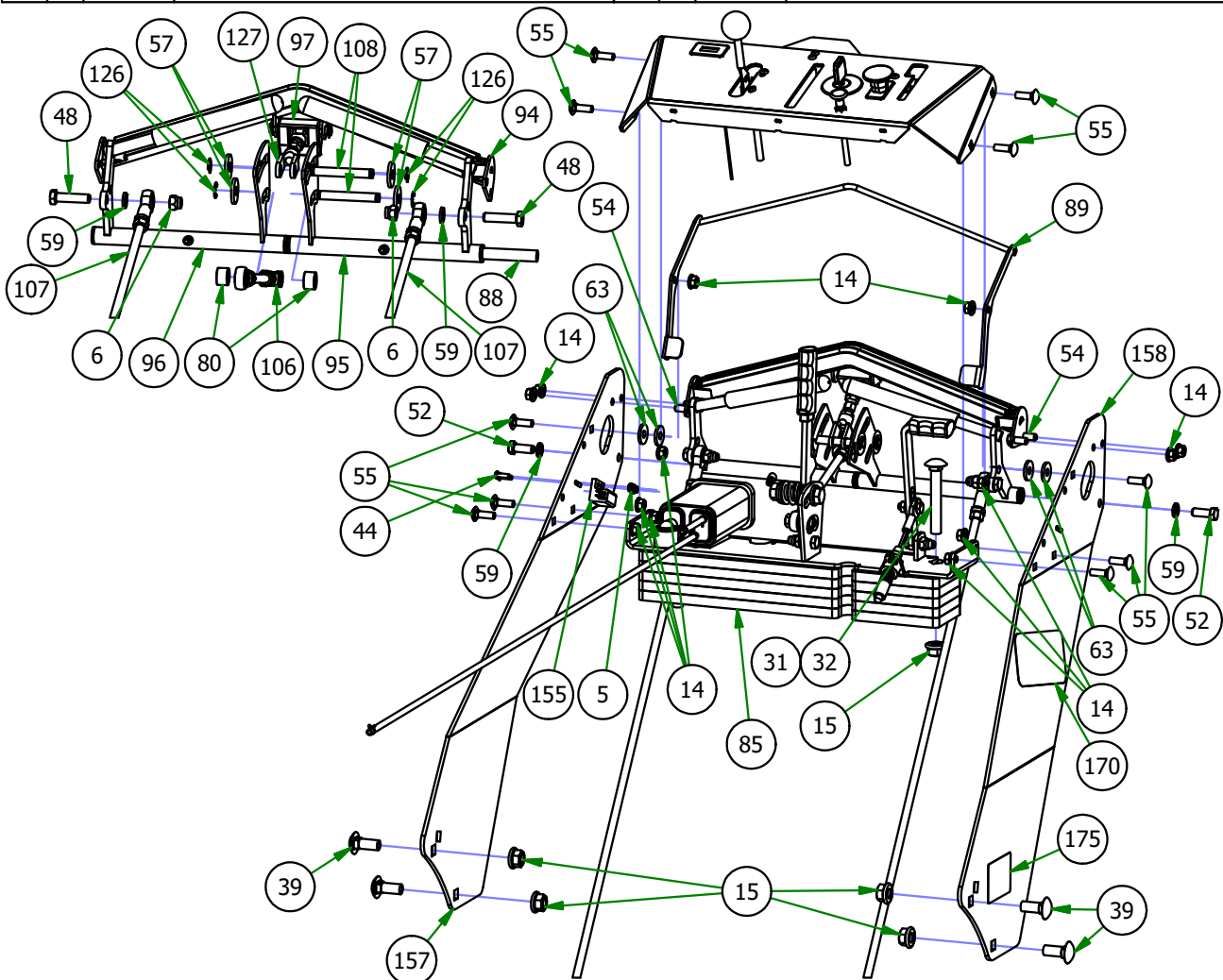




BAD BOY MOWERS

PARTS SECTION: PODIUM ASSEMBLY

Parts List				Parts List			
ITEM	QTY	PART NUMBER	DESCRIPTION	ITEM	QTY	PART NUMBER	DESCRIPTION
5	8	013-5019-00	10-24 NYLON INSERT LOCKNUT ZINC	94	1	031-0039-70	2020 Walk Handle Bar
6	4	013-5041-00	3/8-16 NYLON INSERT LOCKNUT ZINC	95	1	031-0042-00	2020 Walk-Behind Control Lever Assembly - Left
14	15	013-8049-00	5/16-18 NYLON INSERT FLANGE LOCKNUT ZINC	96	1	031-0043-00	2020 Walk-Behind Control Lever Assembly - Right
15	9	013-8050-00	1/2-13 NYLON INSERT FLANGE LOCKNUT ZINC	97	1	031-0047-00	2020 Walk-Behind Neutral Lever
31	2	018-0043-00	2 1/2 x 1/2 Carriage Bolt	106	1	035-0002-98	Walk Speed Control Linkage
32	2	018-0052-00	1/2-13 X 3-1/2 CARRIAGE BOLT (GR.5) ZINC	106.1	1	013-0016-00	3/8" Left-Handed Fine Threaded Jam Nut
39	4	018-3003-00	1/2-13 X 1-1/4 CARRIAGE BOLT ZINC	106.2	1	013-6051-00	3/8" Fine Threaded Jam Nut
44	8	018-5200-00	10-24 X 5/8 BUTTON SOCKET CAP SCREW 18-8 STAINLESS STEEL	106.3	1	035-0002-00	Walk Speed Control Rod
48	2	018-6012-00	3/8-16 X 1-1/2 HEX CAP SCREW (GR.5) ZINC	106.4	1	046-0001-00	Yoke Left Hand Thread
52	2	018-6049-00	3/8-16 X 1 GR 5 Hex Bolts Zinc	106.5	1	048-3000-00	Spherical Rod End - Outlaw
54	4	018-8063-00	5/16-18 X 3/4 HEX CAP SCREW (GR.5) ZINC	107	2	035-0007-98	2020 Walk Behind Push Rod Assembly
55	10	018-8065-00	5/16-18 X 1 CARRIAGE BOLT (GR.8) ZINC	108	3	035-0008-00	2020 Walk Control Pin
57	4	019-2073-00	.390 ID X 1.12 OD X .125 THK FLAT WASHER NYLON	126	6	044-2018-00	3/8" E-Clip
59	5	019-5037-00	3/8 SPLIT LOCKWASHER ZINC	127	1	047-9000-00	Adjustable Yoke Male/Female 2010 and Newer
63	4	019-6042-00	.360 ID X .983 OD X .120 THICK FLAT WASHER NYLON	155	2	077-0002-00	safety Switch
80	2	025-2025-00	.380 ID X .750 OD X .472 LENGTH SPACER NYLON	157	1	079-0028-00	2020 Walk Side Panel - Right
85	5	026-0172-00	2020 Walk Weight Plate	158	1	079-0029-00	2020 Walk Side Panel - Left
88	1	028-0009-00	2017 Walk Behind Control Pivot Rod	170	1	091-0412-18	2018 Walk Behind 603cc Back Plate Cluster
89	1	028-0043-00	2020 Walk Rider Presence - Weldment	175	2	091-1020-00	Hydraulic Decal

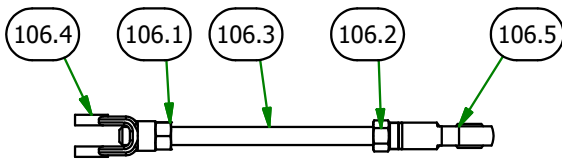




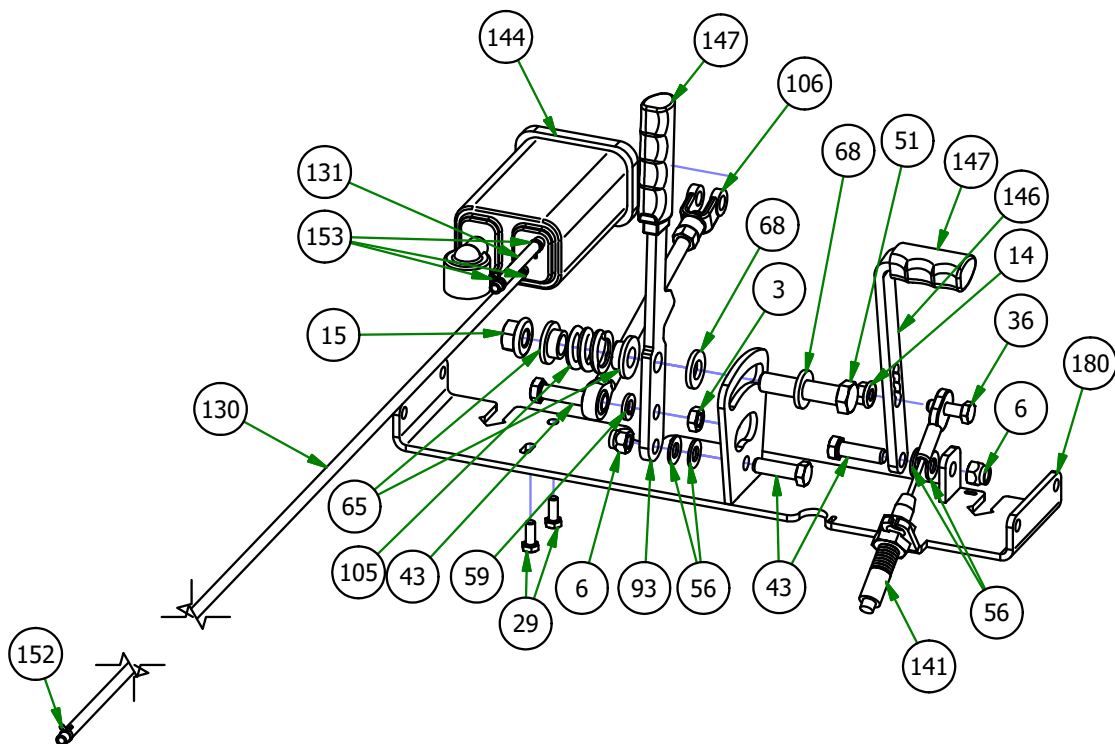
BAD BOY MOWERS

PARTS SECTION: PODIUM CONTINUED

ITEM	QTY	PART NUMBER	DESCRIPTION	ITEM	QTY	PART NUMBER	DESCRIPTION
3	1	013-0012-00	3/8-16 HEX JAM 2-WAY REVERSIBLE CENTER LOCKNUT ZINC	106.1	1	013-0016-00	3/8" Left-Handed Fine Threaded Jam Nut
6	2	013-5041-00	3/8-16 NYLON INSERT LOCKNUT ZINC	106.2	1	013-6051-00	3/8" Fine Threaded Jam Nut
14	1	013-8049-00	5/16-18 NYLON INSERT FLANGE LOCKNUT ZINC	106.3	1	035-0002-00	Walk Speed Control Rod
15	1	013-8050-00	1/2-13 NYLON INSERT FLANGE LOCKNUT ZINC	106.4	1	046-0001-00	Yoke Left Hand Thread
29	2	018-0024-00	M6-1.0 X 16MM DIN 933 HEX TAP BOLT (CL 8.8) ZINC	106.5	1	048-3000-00	Spherical Rod End - Outlaw
36	1	018-2007-00	5/16-18 X 1 HEX CAP SCREW (GR.5) ZINC	130	1	051-2023-02	3/16 Vinyl Tubing, 44"
43	3	018-5040-00	3/8-16 X 1-1/4 HEX CAP SCREW (GR.5) ZINC	131	1	051-2027-00	3/16" Clear Vinyl Tubing
51	1	018-6037-00	1/2-13 X 2-1/4 HEX CAP SCREW (GR.5) ZINC	141	1	064-3000-00	Brake Cable
56	4	019-2003-00	.390 ID X .750 OD X .062 THK FLAT WASHER NYLON	144	1	067-0015-00	Carbon Canister for Magnum/MZ
59	1	019-5037-00	3/8 SPLIT LOCKWASHER ZINC	146	1	069-2020-00	Walk Brake Handle
65	2	019-8027-00	.525 ID SHOULDER WASHER NYLON	147	2	069-7000-00	Rubber Brake Grip-cZT/ZT 2013
68	2	019-8054-00	.505 ID X 1.000 OD X .125 THICK FLAT WASHER NYLON	153	3	072-0002-00	8.6mm Hose Clamp
93	1	031-0036-00	Speed Control Lever	152	1	072-8073-00	3/16" Vinyl Hose Clamp
105	1	034-8025-00	Drive Lever Spring	180	1	201-1171-00	2020 Walk Cross Support Weldment
106	1	035-0002-98	Walk Speed Control Linkage				



035-0002-98
Walk Speed Control Linkage



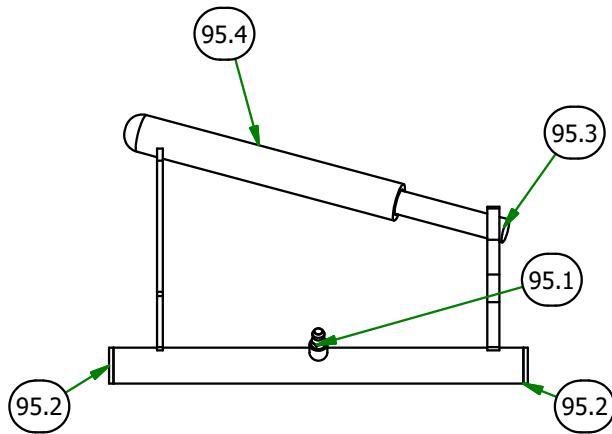


BAD BOY MOWERS

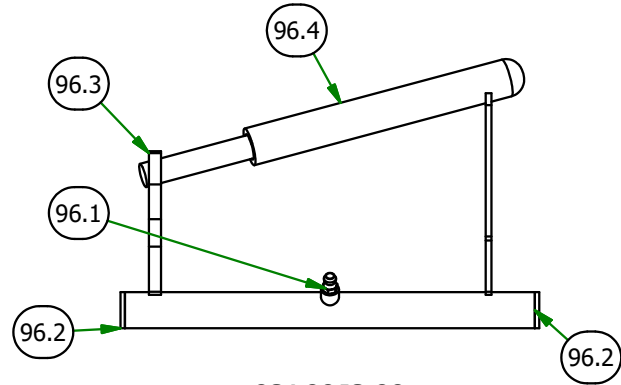
PARTS SECTION: PODIUM SUBASSEMBLIES

031-0042-00 Parts List				031-0043-00 Parts List			
ITEM	QTY	PART NUMBER	DESCRIPTION	ITEM	QTY	PART NUMBER	DESCRIPTION
95.1	1	024-6034-00	1/4 DRIVE-TYPE STRAIGHT GREASE FITTING ZINC YELLOW)	96.1	1	024-6034-00	1/4 DRIVE-TYPE STRAIGHT GREASE FITTING ZINC YELLOW)
95.2	2	031-0032-00	2019 Drive Arm Bushing	96.2	2	031-0032-00	2019 Drive Arm Bushing
95.3	1	031-0042-01	2020 Walk-Behind Control Lever Weldment - Left	96.3	1	031-0043-01	2020 Walk-Behind Control Lever Weldment - Right
95.4	1	069-2014-00	2019 Stand On Control Grip	96.4	1	069-2014-00	2019 Stand On Control Grip

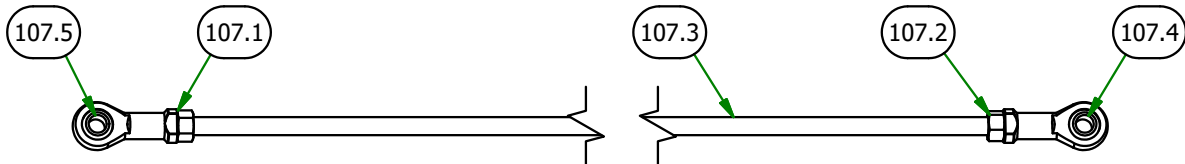
035-0007-98 Parts List			
ITEM	QTY	PART NUMBER	DESCRIPTION
107.1	1	013-0016-00	3/8" Left-Handed Fine Threaded Jam Nut
107.2	1	013-6051-00	3/8" Fine Threaded Jam Nut
107.3	1	035-0007-00	2020 Walk Behind Push Rod (Rod Only)
107.4	1	048-3000-00	Spherical Rod End - Outlaw
107.5	1	048-3001-00	Swivel Heim left handed thread



031-0042-00
2020 Walk-Behind Control Lever Assembly - Left



031-0043-00
2020 Walk-Behind Control Lever Assembly - Right



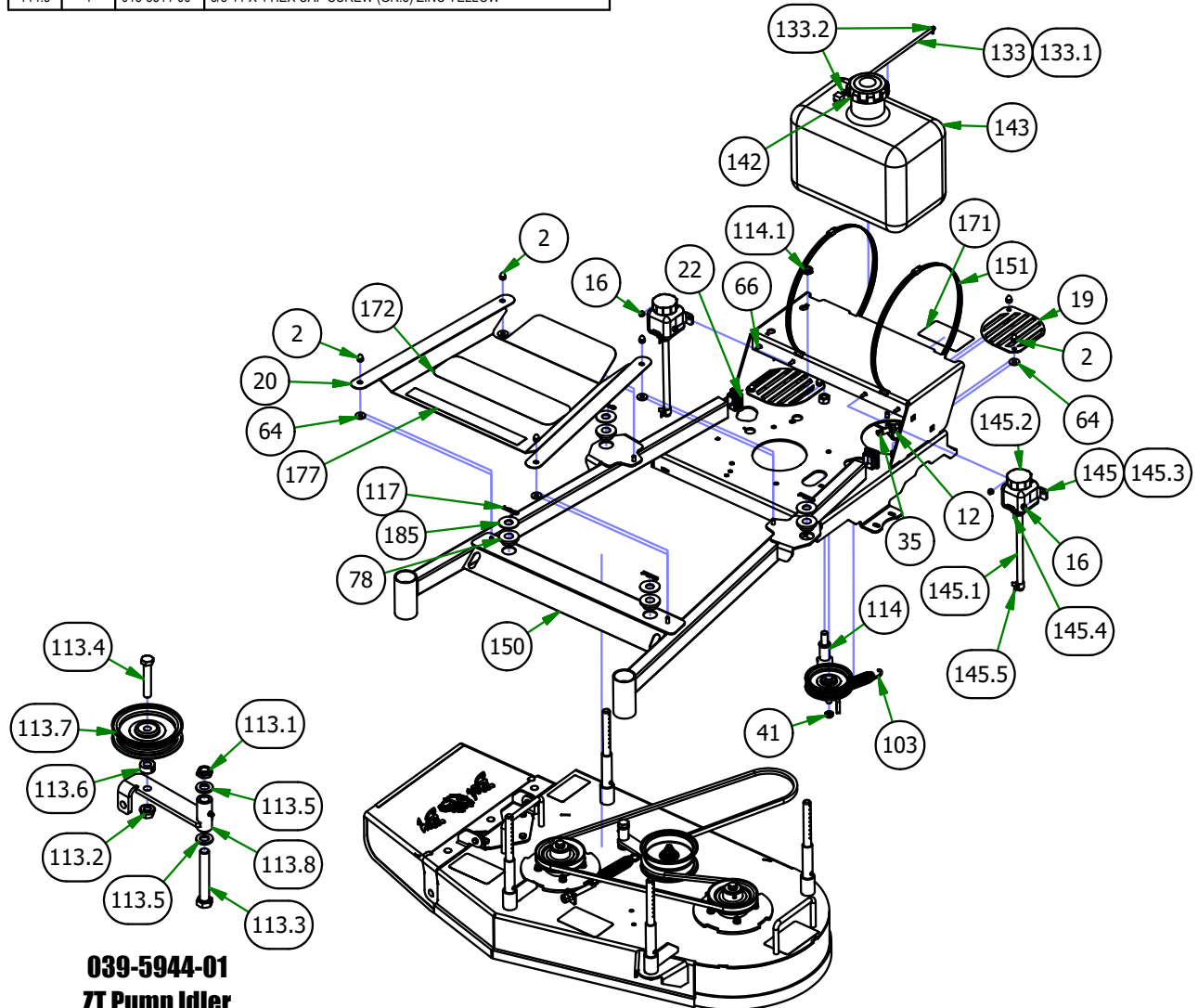
035-0007-98
2020 Walk Behind Push Rod Assembly



BAD BOY MOWERS

PARTS SECTION: UPPER FRAME

ITEM	QTY	PART NUMBER	DESCRIPTION	ITEM	QTY	PART NUMBER	DESCRIPTION
2	8	013-0004-00	5/16-18 ACORN NUT HIGH-CROWN ZC	114.4	1	018-6036-00	1/2-13 X 2-3/4 HEX CAP SCREW (GR.5) ZINC
8	2	013-5202-00	3/8-16 NYLON INSERT FLANGE LOCKNUT (GR.F) ZINC	114.5	2	019-6017-00	.635 ID X 1.120 OD X .140 THICK FLAT WASHER NYLON
12	6	013-7018-00	1/2-13 HEX NUT ZINC	114.6	1	025-7036-00	1/2 SOLID SHAFT COLLAR (W/1 SET SCREW) ZINC
16	4	013-8073-00	1/4-20 NYLON INSERT LOCKNUT ZINC	117	4	040-6060-00	Seat latch pin
19	2	014-3580-00	Bolt on Fan Cover	133	1	051-8067-15	15" Revolt Fuel Line Assembly
20	1	014-3590-18	2018 Walk Cover	133.1	1.25	051-8067-00	1/4" Fuel Line Hose
22	2	014-9002-00	1 1/2 X 2 Plug For .120 Tubing	133.2	2	072-8069-00	1/4 Fuel Hose Clamp
35	3	018-2004-50	All Thread	142	1	066-8083-00	Fuel Cap
41	1	018-4010-00	1/2-13 NYLON INSERT JAM LOCKNUT ZINC	143	1	067-0003-00	5 Gal Black Gas Tank w/gauge
64	8	019-6050-00	.360 ID X .983 OD X .120 THICK FLAT WASHER NYLON BLACK	145	2	067-8090-04	Walk Behind Hydro Tank Assembly
66	4	019-8040-00	1/4-20 X 3/4 CARRIAGE BOLT (GR.5) ZINC	145.1	.83	051-8063-00	3/8" Clear Hose
78	4	025-0031-00	Deck Hanger Insert	145.2	1	066-5050-00	Hydraulic Tank Cap
101	3	033-6006-00	5.25" Deck Spindle Pulley	145.3	1	067-8090-00	350ml Expansion Tank
103	1	034-2009-00	2009 Deck/Pump Idler Spring	145.4	1	072-8065-00	3/8" Hose Clamp
112	1	039-1220-00	Warner Clutch A-R Bracket	145.5	1	072-8066-00	1/2 Hose Clamp
114	1	039-5944-01	ZT Pump Idler	150	1	070-5101-00	2020 Walk Behind Frame - Welded Assembly
114.8	1	039-5944-00	Pump Idler Bracket	151	2	072-0050-00	Fuel Tank Clamp-Stand On
114.7	1	033-6001-00	4 3/4" Idler Pulley	172	1	091-0902-00	2013 cZT/ZT Logo Decal-Floorboard-Standard 15"x4"
114.1	1	013-5301-00	5/8-11 NYLON INSERT JAM LOCKNUT ZINC	177	1	091-3150-00	Outlaw Warning Decal
114.2	1	013-8050-00	1/2-13 NYLON INSERT FLANGE LOCKNUT ZINC	185	4	319-0002-00	3/4 FW USS (2" OD) ZC
114.3	1	018-5311-00	5/8-11 X 4 HEX CAP SCREW (GR.8) ZINC YELLOW				

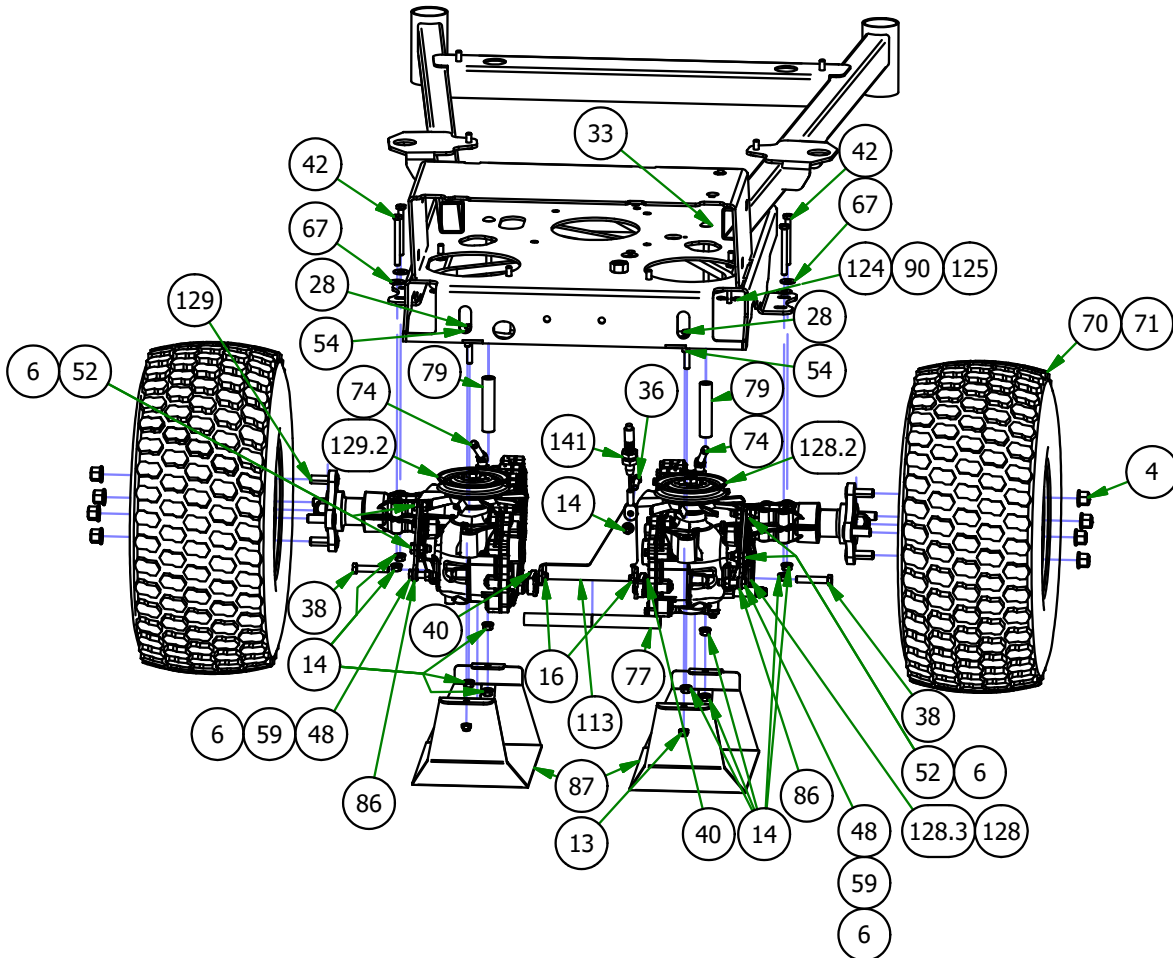




BAD BOY MOWERS

PARTS SECTION: TRANSAXLE & REAR WHEELS

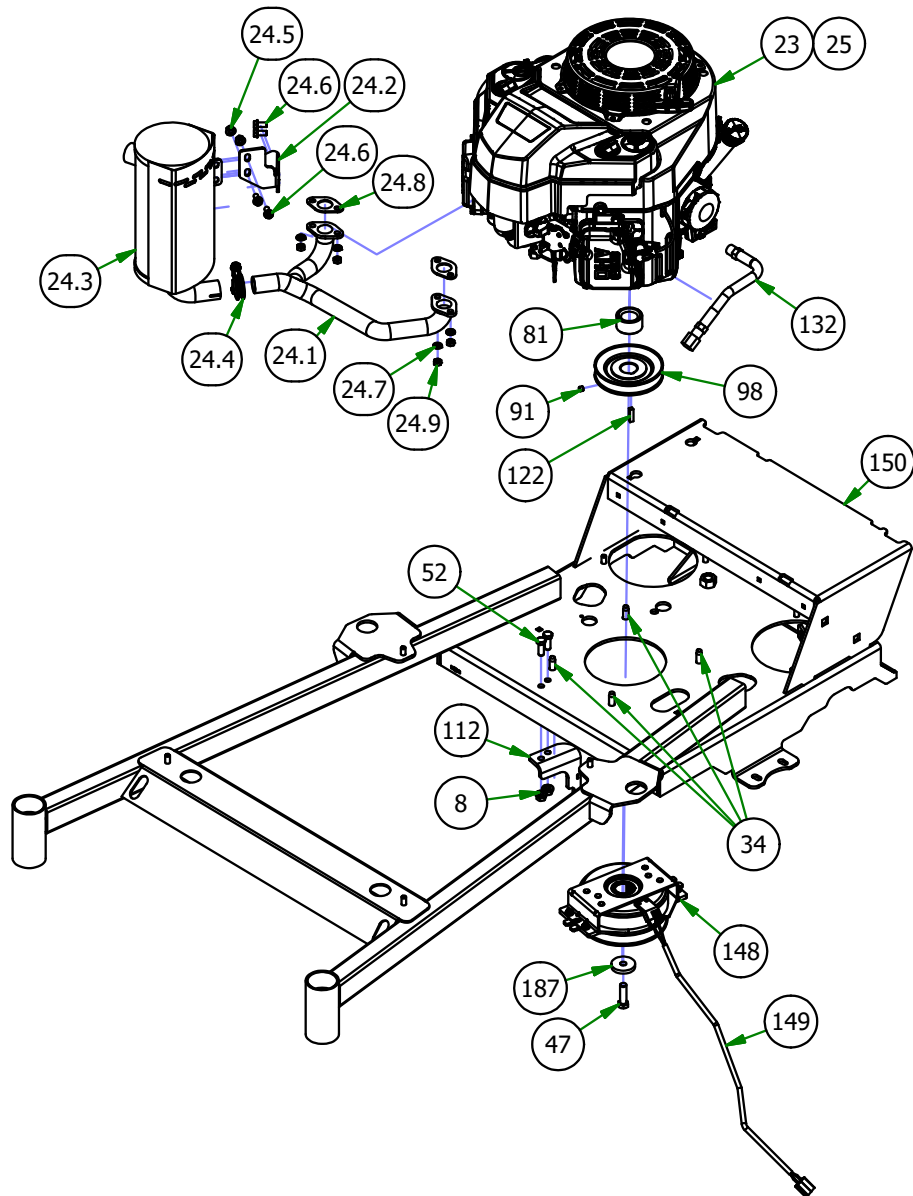
ITEM	QTY	PART NUMBER	DESCRIPTION	ITEM	QTY	PART NUMBER	DESCRIPTION
4	8	013-3000-00	Acorn Lug Nut	71.1	1	022-8022-00	10" Wheel Only-36" Stand On
6	6	013-5041-00	3/8-16 NYLON INSERT LOCKNUT ZINC	71.2	1	022-8023-00	Walk Behind 36" Tire Only 21 X 7-10
13	2	013-8047-00	5/16-18 NYL INS L/N ZC	74	2	024-1200-00	ZT Fitting, 3/8 x 3/8 45 Degree, 4603-6-6
14	11	013-8049-00	5/16-18 NYLON INSERT FLANGE LOCKNUT ZINC	77	1	025-0018-00	2017 Transaxle Spacer-Walker
16	2	013-8073-00	1/4-20 NYLON INSERT LOCKNUT ZINC	79	2	025-0070-00	2017 Transaxle Spacer
28	2	018-0023-00	5/16-18 X 2-1/4 HEX CAP SCREW (GR.5) ZINC	86	2	026-0173-00	2020 Walk-Behind Hydro Plate Extension
33	2	018-0056-00	5/16-18 X 6 CARRIAGE BOLT (GR.5) ZINC	87	2	026-3441-00	2020 Walk Trans Skid Plate
36	1	018-2007-00	5/16-18 X 1 HEX CAP SCREW (GR.5) ZINC	90	2	028-0072-00	2020 Walk Neutral Rod
38	2	018-3000-00	3/8-16 X 2 HEX CAP SCREW (GR.5) ZINC	113	1	039-1917-RW	Walk Brake Pull Bracket-Raw
40	2	018-4007-00	1/4-20 X 1 HEX CAP SCREW (GR.5) ZINC	124	2	044-2004-00	Bow Pin
42	4	018-4701-00	5/16-18 X 3 HEX CAP SCREW (GR.5) ZINC	125	2	044-2008-00	Neutral Rod Clip
48	2	018-6012-00	3/8-16 X 1-1/2 HEX CAP SCREW (GR.5) ZINC	128	1	050-0003-00	Right Walk-Behind Transaxle
52	4	018-6049-00	3/8-16 X 1 GR 5 Hex Bolts Zinc	128.2	1	050-2075-00	Fan/Pulley Kit for ZT
54	2	018-8063-00	5/16-18 X 3/4 HEX CAP SCREW (GR.5) ZINC	128.3	1	063-1050-00	Filter
59	2	019-5037-00	3/8 SPLIT LOCKWASHER ZINC	129	1	050-0004-00	Left Walk-Behind Transaxle
67	4	019-8044-00	5/16 USS FLAT WASHER (7/8 OD) ZINC	129.2	1	050-2075-00	Fan/Pulley Kit for ZT
70	2	022-6000-00	20x10.50-8 Tire/Wheel Assembly	129.3	1	063-1050-00	Filter
70.1	1	022-6002-00	8 Inch Wheel	141	1	064-3000-00	Brake Cable
70.2	1	022-6001-00	20X10-8 Turf Tire	150	1	070-5101-00	2020 Walk Behind Frame - Welded Assembly
71	2	022-8019-00	21 x 7 - 10 Walk Behind Rim and Tire (36" Only)				





PARTS SECTION: ENGINE

ITEM	QTY	PART NUMBER	DESCRIPTION	ITEM	QTY	PART NUMBER	DESCRIPTION
8	2	013-5202-00	3/8-16 NYLON INSERT FLANGE LOCKNUT (GR.F) ZINC	34	4	018-1075-00	3/8-16 X 1-1/8 HEX WASHER UNSLOT SERRATED (TRI-LOB) TRS ZINC YELLOW
23	1	015-0541-00	Kawasaki FS541V Pull Start Engine	47	1	018-5450-00	7/16-20 X 1-1/2 HEX CAP SCREW (GR.8) ZINC YELLOW
24	1	015-0543-00	Exhaust Assembly	52	2	018-6049-00	3/8-16 X 1 GR 5 Hex Bolts Zinc
24.9	0	013-0075-00	M8-1.25 Zinc Nut	187	1	019-0010-00	CLUTCH WASHER
24.3	0	015-0543-01	MUFFLER	81	1	025-5032-00	1.130 x 1.75 x 1 Spacer, Countersunk, Zinc
24.1	0	015-0543-02	Exhaust Pipe	91	1	030-0050-00	5/16-24 X 1/4 SOCKET SET SCREW (CUP PT) PLAIN
24.2	0	015-0543-03	Exhaust Bracket	98	1	033-5034-00	4 3/4" Motor Pulley
24.6	0	015-0543-04	Exhaust Flange Bolt	112	1	039-1220-00	Warner Clutch A-R Bracket
24.7	0	015-0543-05	Exhaust Lock Washer	122	1	042-6030-00	1/4 X 1 SQ MACHINERY KEY 1018 STL PLN
24.5	0	015-0543-06	Exhaust Nut	132	1	051-5408-00	16" Oil drain Hose
24.8	0	015-0543-07	Exhaust Gasket	148	1	070-0056-00	Clutch
24.4	0	015-0543-08	Exhaust Clamp	149	1	070-2000-00	Clutch Pigtail
25	1	015-0599-00	Kawasaki FS600V Pull Start Engine	150	1	070-5101-00	2020 Walk Behind Frame - Welded Assembly

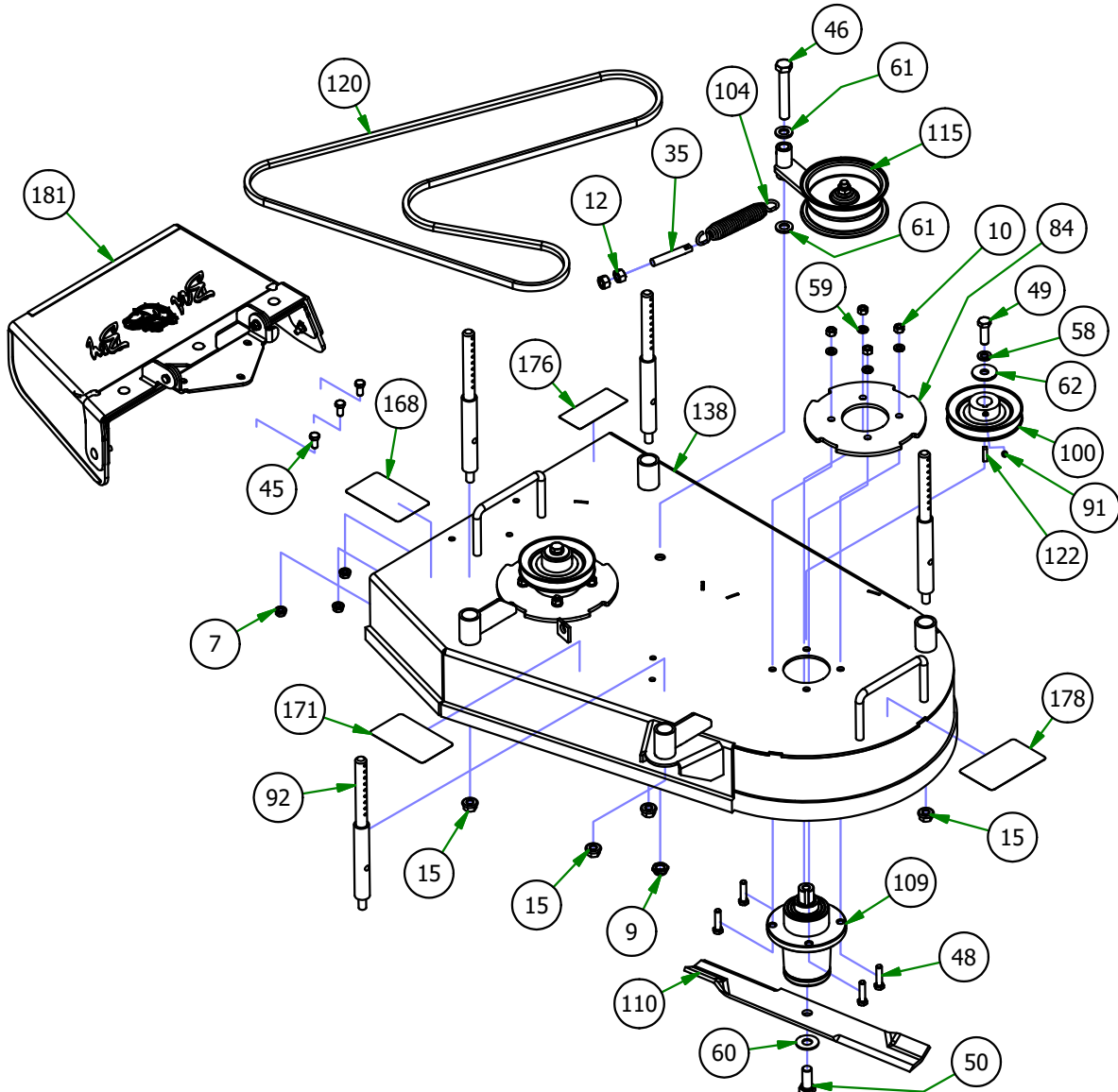




BAD BOY MOWERS

PARTS SECTION: 36" Walk Deck

ITEM	QTY	PART NUMBER	DESCRIPTION	ITEM	QTY	PART NUMBER	DESCRIPTION
7	3	013-5201-00	3/8-16 HEX SERRATED FLANGE NUT HARD/ZINC	84	2	026-0025-00	Deck Spindle Support Plate
9	1	013-5301-00	5/8-11 NYLON INSERT JAM LOCKNUT ZINC	91	2	030-0050-00	5/16-24 X 1/4 SOCKET SET SCREW (CUP PT) PLAIN
10	8	013-5202-00	3/8-16 NYLON INSERT FLANGE LOCKNUT (GR.F) ZINC	92	4	031-0023-00	2017 Walk Behind Deck Hanger
12	2	013-7018-00	1/2-13 HEX NUT ZINC	100	2	033-6003-00	5" Spindle Deck Pulley
15	4	013-8050-00	1/2-13 NYLON INSERT FLANGE LOCKNUT ZINC	104	1	034-2020-00	Deck Idler Spring
35	1	018-2004-50	All Thread	109	2	037-6015-50	Spindle Assembly
45	3	018-5250-00	3/8-16 X 3/4 HEX CAP SCREW (GR.5) ZINC	110	2	038-0001-00	54" Deck Fusion Blade For Outlaw
46	1	018-5311-00	5/8-11 X 4 HEX CAP SCREW (GR.8) ZINC YELLOW	115	1	039-6945-10	Deck Idler Assembly 36" Walk Behind
48	8	018-0075-00	3/8-16 X 1-3/4 HEX CAP SCREW (GR.5) ZINC	120	1	041-8054-00	2020 Walk-Behind 36 Deck Belt
49	2	018-6019-00	1/2-20 X 1-1/2 HEX CAP SCREW (GR.5) ZINC	122	2	042-6030-00	1/4 X 1 SQ MACHINERY KEY 1018 STL PLN
50	2	018-6020-00	5/8-18 X 1-1/2 HEX CAP SCREW (GR.8) ZINC YELLOW	138	1	060-3600-00	Walk 36 Deck
58	2	019-5007-00	1/2 SPLIT LOCKWASHER (GR.8) ZINC/YELLOW	168	1	091-0023-00	36" Deck Height Adjustment Decal
59	8	019-8044-00	5/16 USS FLAT WASHER (7/8 OD) ZINC	171	1	091-0418-00	2017 Walk Behind 36" Deck Belt Route
60	2	019-5038-00	5/8 USS FLAT WASHER (1-3/4" OD) GR.8 ZINC YELLOW	176	1	091-3012-00	Danger Decal-Spindle/Discharge
61	2	019-6017-00	.635 ID X 1.120 OD X .140 THICK FLAT WASHER NYLON	178	1	091-3601-18	2018 36" Deck Decal
62	2	019-6020-00	1/2 BELLEVILLE WASHER (1-5/8 OD X .140 THK) ZINC	181	1	210-6005-48	ZT Chute Assembly

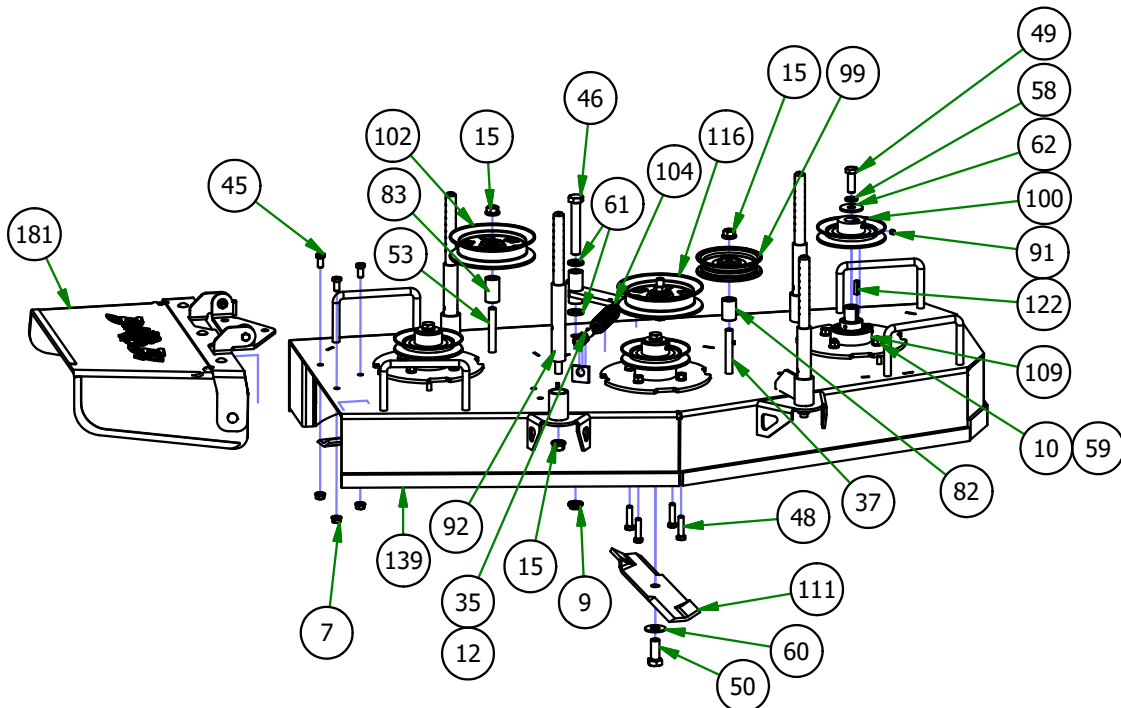
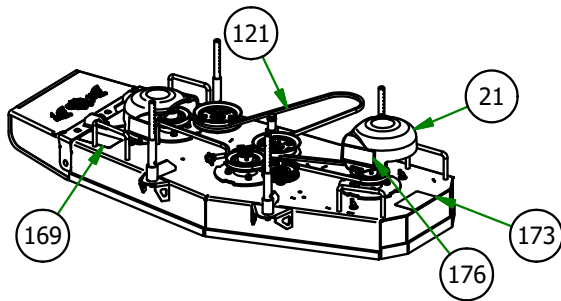




BAD BOY MOWERS

PARTS SECTION: 48" DECK ASSEMBLY

ITEM	QTY	PART NUMBER	DESCRIPTION	ITEM	QTY	PART NUMBER	DESCRIPTION
2	4	013-0004-00	5/16-18 ACORN NUT HIGH-CROWN ZC	64	4	019-6050-00	.360 ID X .983 OD X .120 THICK FLAT WASHER NYLON BLACK
7	3	013-5201-00	3/8-16 HEX SERRATED FLANGE NUT HARD/ZINC	82	1	025-5338-00	.502 ID X .750 OD X 1.500 Long Spacer
9	1	013-5301-00	5/8-11 NYLON INSERT JAM LOCKNUT ZINC	83	1	025-5339-00	1 3/4" Pulley Spacer
10	12	013-5202-00	3/8-16 NYLON INSERT FLANGE LOCKNUT (GR.F) ZINC	84	3	026-0025-00	Deck Spindle Support Plate
12	2	013-7018-00	1/2-13 HEX NUT ZINC	91	3	030-0050-00	5/16-24 X 1/4 SOCKET SET SCREW (CUP PT) PLAIN
15	6	013-8050-00	1/2-13 NYLON INSERT FLANGE LOCKNUT ZINC	92	4	031-0023-00	2017 Walk Behind Deck Hanger
21	2	014-4000-00	Pulley Cover	99	1	033-6001-00	4 3/4" Idler Pulley
35	1	018-2004-50	All Thread	100	3	033-6003-00	5" Spindle Deck Pulley
37	1	018-2018-00	1/2-13 X 3-1/2 HEX FLANGE BOLT (GR.8) ZINC	102	1	033-7201-25	5-3/4 Idler Pulley
45	3	018-5250-00	3/8-16 X 3/4 HEX CAP SCREW (GR.5) ZINC	104	1	034-2020-00	Deck Idler Spring
46	1	018-5311-00	5/8-11 X 4 HEX CAP SCREW (GR.8) ZINC YELLOW	109	3	037-6015-50	Spindle Assembly
48	12	018-0075-00	3/8-16 X 1-3/4 HEX CAP SCREW (GR.5) ZINC	111	3	038-5350-00	16 1/4" Bad Boy Blade
49	3	018-6019-00	1/2-20 X 1-1/2 HEX CAP SCREW (GR.5) ZINC	116	1	039-6945-17	2017 MZ/ZT Deck Idler Assembly
50	3	018-6020-00	5/8-18 X 1-1/2 HEX CAP SCREW (GR.8) ZINC YELLOW	121	1	041-8055-00	2020 48" Deck Belt
53	1	018-6054-00	1/2-13 X 3-1/2 HEX CAP SCREW (GR.5) ZINC	122	3	042-6030-00	1/4 X 1 SQ MACHINERY KEY 1018 STL PLN
58	3	019-5007-00	1/2 SPLIT LOCKWASHER (GR.8) ZINC/YELLOW	139	1	060-3648-00	2020 48in Walk Deck - Weldment - Painted
59	12	019-8044-00	5/16 USS FLAT WASHER (7/8 OD) ZINC	169	1	091-0024-00	48" Deck Height Adjustment Decal
60	3	019-5038-00	5/8 USS FLAT WASHER (1-3/4" OD) GR.8 ZINC YELLOW	173	1	091-0903-18	2018 48" Deck Decal
61	2	019-6017-00	.635 ID X 1.120 OD X .140 THICK FLAT WASHER NYLON	176	2	091-3012-00	Danger Decal-Spindle/Discharge
62	3	019-6020-00	1/2 BELLEVILLE WASHER (1-5/8 OD X .140 THK) ZINC	181	1	210-6005-48	ZT Chute Assembly

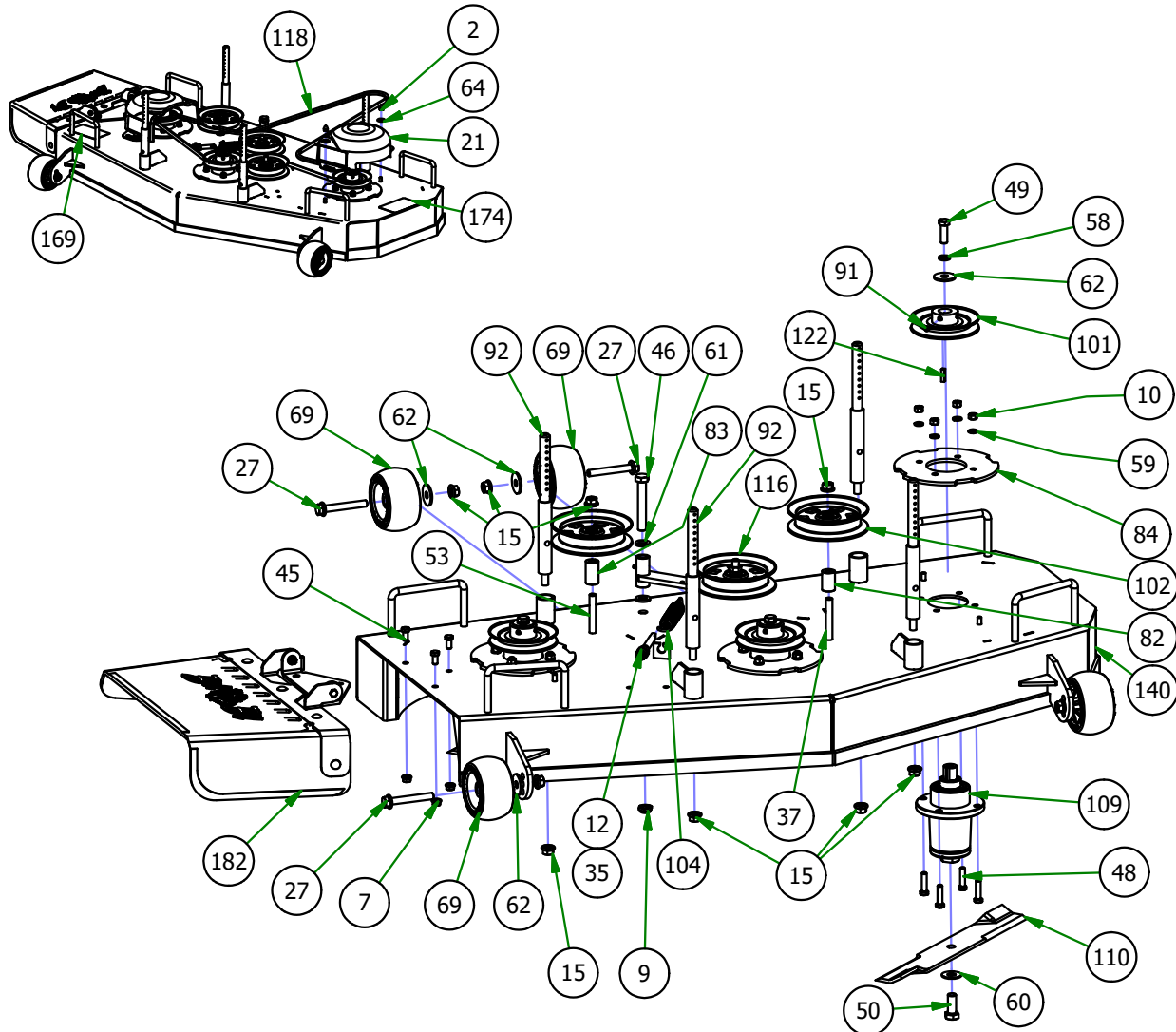




BAD BOY MOWERS

PARTS SECTION: 54" Walk Deck

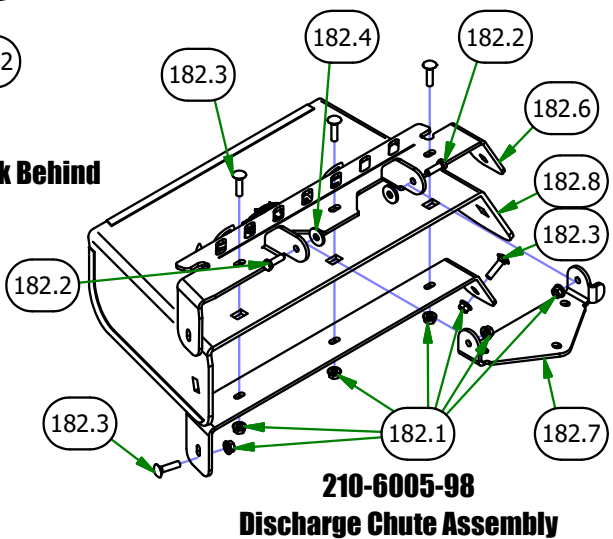
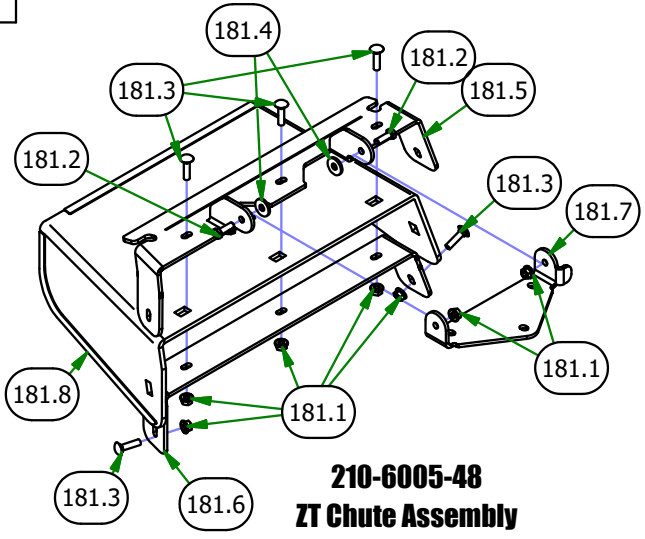
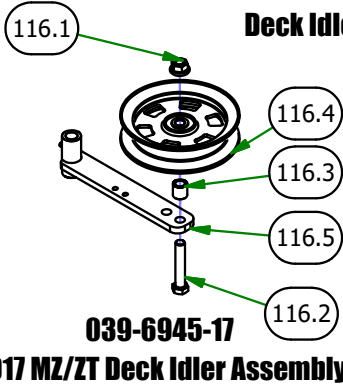
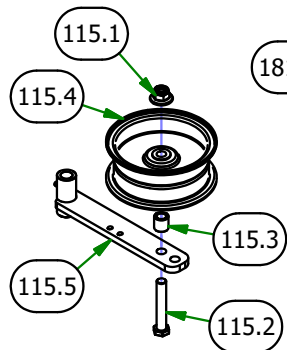
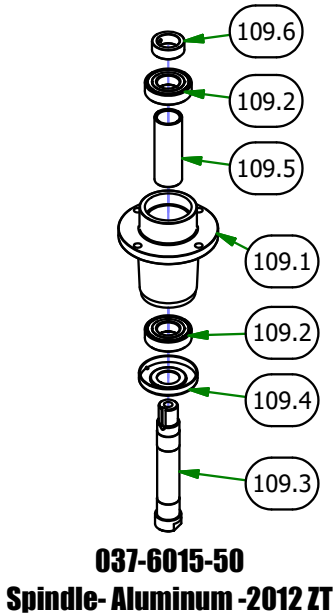
ITEM	QTY	PART NUMBER	DESCRIPTION	ITEM	QTY	PART NUMBER	DESCRIPTION
2	4	013-0004-00	5/16-18 ACORN NUT HIGH-CROWN ZC	64	4	019-6050-00	.360 ID X .983 OD X .120 THICK FLAT WASHER NYLON BLACK
7	3	013-5201-00	3/8-16 HEX SERRATED FLANGE NUT HARD/ZINC	69	4	022-1000-00	Deck Wheel
9	1	013-5301-00	5/8-11 NYLON INSERT JAM LOCKNUT ZINC	82	1	025-5338-00	.502 ID X .750 OD X 1.500 Long Spacer
10	12	013-5202-00	3/8-16 NYLON INSERT FLANGE LOCKNUT (GR.F) ZINC	83	1	025-5339-00	1 3/4" Pulley Spacer
12	2	013-7018-00	1/2-13 HEX NUT ZINC	84	3	026-0025-00	Deck Spindle Support Plate
15	10	013-8050-00	1/2-13 NYLON INSERT FLANGE LOCKNUT ZINC	91	3	030-0050-00	5/16-24 X 1/4 SOCKET SET SCREW (CUP PT) PLAIN
21	2	014-4000-00	Pulley Cover	92	4	031-0023-00	2017 Walk Behind Deck Hanger
27	4	018-0010-00	1/2-13 X 90MM HEX FLANGE BOLT W/SHOULDER (GR.8) ZINC	101	3	033-6006-00	5.25" Deck Spindle Pulley
35	1	018-2004-50	All Thread	102	2	033-7201-25	5-3/4 Idler Pulley
37	1	018-2018-00	1/2-13 X 3-1/2 HEX FLANGE BOLT (GR.8) ZINC	104	1	034-2020-00	Deck Idler Spring
45	3	018-5250-00	3/8-16 X 3/4 HEX CAP SCREW (GR.5) ZINC	109	3	037-6015-50	Spindle Assembly
46	1	018-5311-00	5/8-11 X 4 HEX CAP SCREW (GR.8) ZINC YELLOW	110	3	038-0001-00	54" Deck Fusion Blade For Outlaw
48	12	018-0075-00	3/8-16 X 1-3/4 HEX CAP SCREW (GR.5) ZINC	116	1	039-6945-17	2017 MZ/ZT Deck Idler Assembly
49	3	018-6019-00	1/2-20 X 1-1/2 HEX CAP SCREW (GR.5) ZINC	118	1	041-6027-00	B128 Deck Belt
50	3	018-6020-00	5/8-18 X 1-1/2 HEX CAP SCREW (GR.8) ZINC YELLOW	122	3	042-6030-00	1/4 X 1 SQ MACHINERY KEY 1018 STL PLN
53	1	018-6054-00	1/2-13 X 3-1/2 HEX CAP SCREW (GR.5) ZINC	140	1	060-5420-00	2020 54" Walk Behind Deck
58	3	019-5007-00	1/2 SPLIT LOCKWASHER (GR.8) ZINC/YELLOW	169	1	091-0024-00	48" Deck Height Adjustment Decal
59	12	019-8044-00	5/16 USS FLAT WASHER (7/8 OD) ZINC	174	1	091-0904-18	2018 54" Deck Decal
60	3	019-5038-00	5/8 USS FLAT WASHER (1-3/4" OD) GR.8 ZINC YELLOW	176	2	091-3012-00	Danger Decal-Spindle/Discharge
61	2	019-6017-00	.635 ID X 1.120 OD X .140 THICK FLAT WASHER NYLON	182	1	210-6005-98	Discharge Chute Assembly
62	7	019-6020-00	1/2 BELLEVILLE WASHER (1-5/8 OD X .140 THK) ZINC				





PARTS SECTION: DECK SUBASSEMBLIES

037-6015-50 Parts List				210-6005-48 Parts List			
ITEM	QTY	PART NUMBER	DESCRIPTION	ITEM	QTY	PART NUMBER	DESCRIPTION
109.1	1	037-6017-50	Aluminum Spindle Housing -2010	181.1	7	013-8049-00	5/16-18 NYLON INSERT FLANGE LOCKNUT ZINC
109.2	2	037-6023-00	Spindle Bearing, 2004 and up	181.2	2	018-2007-00	5/16-18 X 1 HEX CAP SCREW (GR.5) ZINC
109.3	1	037-6026-00	Short Spindle Shaft w/Locking	181.3	5	018-4703-00	5/16-18 X 1-1/4 CARRIAGE BOLT ZINC
109.4	1	037-8002-00	Dust Cover	181.4	2	019-6042-00	.360 ID X .983 OD X .120 THICK FLAT WASHER NYLON
109.5	1	037-8050-00	Tube Spacer for Spindle Shaft	181.5	1	039-4870-00	Discharge Upper Chute Bracket
109.6	1	037-9050-00	Collar Spacer - Top of Spindle	181.6	1	039-4871-00	Discharge Lower Chute Bracket
039-6945-10 Parts List				210-6005-98 Parts List			
ITEM	QTY	PART NUMBER	DESCRIPTION	ITEM	QTY	PART NUMBER	DESCRIPTION
115.1	1	013-8050-00	1/2-13 NYLON INSERT FLANGE LOCKNUT ZINC	182.1	7	013-8049-00	5/16-18 NYLON INSERT FLANGE LOCKNUT ZINC
115.2	1	018-7016-00	1/2-13 x GR 5 Hex Bolt Zinc	182.2	2	018-2007-00	5/16-18 X 1 HEX CAP SCREW (GR.5) ZINC
115.3	1	025-5203-00	Spacer 3/4 OD x 1/2 ID x 3/4 Length	182.3	5	018-4703-00	5/16-18 X 1-1/4 CARRIAGE BOLT ZINC
115.4	1	033-5000-00	5 3/4" Deck Idler Pulley	182.4	2	019-6042-00	.360 ID X .983 OD X .120 THICK FLAT WASHER NYLON
115.5	1	039-6945-00	Deck Idler	182.5	1	039-4863-00	60" Discharge Lower Bracket
039-6945-17 Parts List				210-6005-00 Parts List			
ITEM	QTY	PART NUMBER	DESCRIPTION	ITEM	QTY	PART NUMBER	DESCRIPTION
116.1	1	013-8050-00	1/2-13 NYLON INSERT FLANGE LOCKNUT ZINC	182.6	1	039-4864-00	60" Discharge Chute Upper Hanger
116.2	1	018-6036-00	1/2-13 X 2-3/4 HEX CAP SCREW (GR.5) ZINC	182.7	1	206-6017-00	Discharge Chute Hanger (deck mounted)
116.3	1	025-5203-00	.51 ID X .75 OD X .75 LGTH SOLID SPACER ZINC	182.8	1	210-6005-00	Rubber Discharge Chute
116.4	1	033-8050-00	5" Idler Pulley				
116.5	1	039-6945-00	Deck Idler				





BAD BOY MOWERS

PARTS SECTION: DECALS



091-0314-00
FLOORBOARD LOGO DECAL



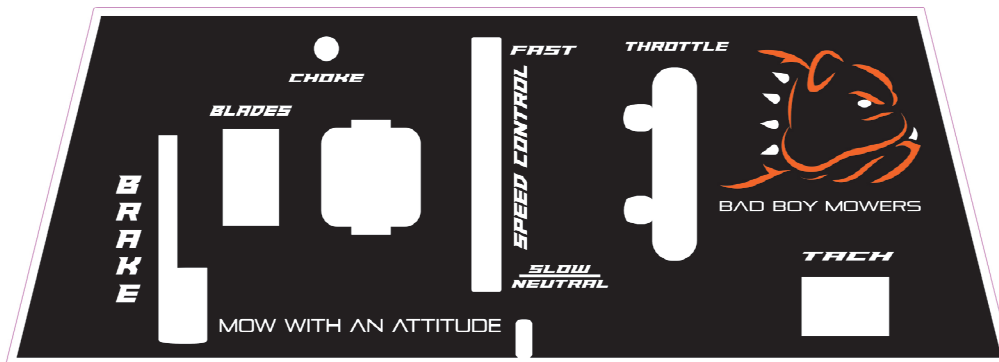
091-3601-18
36" DECK DECAL



091-0903-18
48" DECK DECAL



091-0904-18
54" DECK DECAL



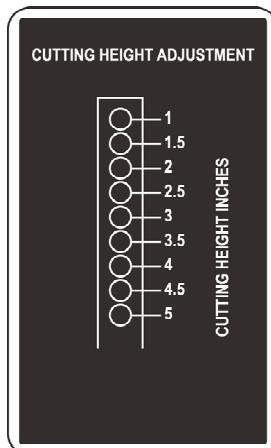
091-4055-00
CONTROL PANEL DECAL



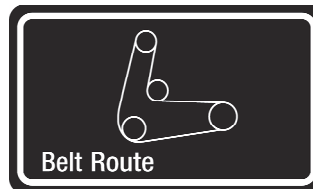
091-0412-18
603cc PODIUM DECAL



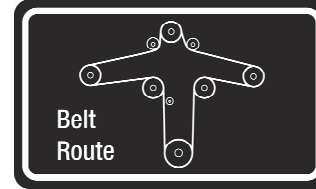
091-0023-00
36" DECK HEIGHT DECAL



091-0024-00
48" DECK HEIGHT DECAL



091-0418-00
36" DECK BELT ROUTE DECAL



091-3309-00
48" DECK BELT ROUTE DECAL



091-1020-00
CAUTION DECAL



091-3012-00
DANGER DECAL

DANGER	• STOP BLADE & BACK SLOWLY IF MACHINE STOPS GOING UPHILL • NEVER MOW NEAR PEOPLE • NEVER USE WHEN UNDER THE INFLUENCE OF DRUGS OR ALCOHOL	NEVER MOW SIDE HILL OVER 5°	NEVER MOW UP HILL OVER 10°	NEVER MOW SLOPE OVER 15°	DANGER	CAUTION	Shut off engine before refueling.	CAUTION
	• NEVER CARRY PASSENGERS • SET PARKING BRAKE & REMOVE KEY IF LEAVING MACHINE • AVOID SLIPPERY OR BUMP AREAS • AVOID BLADE UNLESS BLADE & ENGINE ARE STOPPED • USE SAFELY, MACHINE IS NOT A TOY • KNOW LOCATION AND FUNCTION OF CONTROLS • REMOVE POTENTIAL THROWN OBJECTS • KEEP SAFETY DEVICES IN PLACE AND WORKING • LOOK BEHIND MACHINE BEFORE BACKING	• READ OWNER'S MANUAL •					Never fill fuel tank indoors or when engine is hot.	

091-3150-00
CAUTION/DANGER DECAL