



OUTLAW STAND-ON MODEL **ZERO-TURN MOWER** **OWNER'S, SERVICE & PARTS MANUAL**

For additional information, please see us at
www.badboymowers.com

Bad Boy, Inc.
102 Industrial Drive
Batesville, Arkansas 72501

TABLE OF CONTENTS

Basic Information.....	Section 1 (page 4)
Bad Boy Safety Guidelines	Section 2 (pages 5–8)
Operation	Section 3 (pages 9)
Maintenance	Section 4 (page 10)
Storage and Transportation	Section 5 (page 12)
Troubleshooting and FAQ.....	Section 6 (page 13)
Controls	Section 7 (page 14)
Moving In-operable Mower	Section 8 (page 15)
Instrumentation	Section 9 (page 15)
Mower Blade Maintenance	Section 10 (page 16)
Greasing Bearings.....	Section 11 (pages 16)
How to choose the right blade	Page 17
Mowing Tips	Page 18
Service Section	Page 19
Parts Section	Page 33
Limited Warranty	Page 54



This manual applies to the following equipment:

Bad Boy Stand-On Series

BBS 3600 36" 726cc Kawasaki FX691V

BBS 4800 48" 726cc Kawasaki FX730V

BBS 5400 54" 726cc Kawasaki FX730V

BBS 6100 61" 726cc Kawasaki FX730V

COMMONLY USED ITEMS AND PART NUMBERS

61" Blade	Hi-Lift Fusion 038-6080-00	Gator Blade 038-6081-00	Wave Blade 038-6090-00
54" Blade	Hi-Lift Fusion 038-0001-00	Gator Blade 038-0003-00	Wave Blade 038-5220-00
48" Blade	Hi-Lift Fusion 038-4826-00	Gator Blade 038-5000-00	Wave Blade 038-4825-00
36" Blade	Hi-Lift Fusion 038-0001-00	Gator Blade 038-0003-00	Wave Blade 038-5220-00
Deck Belt	61" 041-4022-00	54" 041-0120-00	48" 041-5200-00
Pump Belt	041-5200-00		
Oil Filter	063-8017-00		
Air Filter	Inner Air Filter 063-8020-00	Outer Air Filter 063-8019-00	
Motor Oil	10W-30 Motor Oil - Bad Boy Synthetic Blend Motor Oil Recommended		
Hydraulic Oil	20W-50 Motor Oil - Bad Boy Hydrostatic Oil Recommended Approximately 2 quarts per side		

SECTION 1: BASIC INFORMATION

Congratulations on the purchase of your new Bad Boy Mower! The purpose of this manual is to assist operators in maintaining and operating their machine. The information and instructions in this manual can help you attain years of performance from your new Bad Boy. Also, check out our website to learn more about the Bad Boy family.

- 1.1 All Bad Boy engines use 10W-30 engine oil. For maximum protection, Bad Boy synthetic blend engine oil is recommended.
- 1.2 All Bad Boy hydraulic systems use 20W-50 engine oil (Conventional or Synthetic). Bad Boy Hydrostatic oil is recommended.
- 1.3 All Bad Boy Mowers use hi-temp multi-purpose grease. NLGI No. 2 for the grease fittings.
- 1.4 Outlaw models have 12 psi in both front and rear tires.
- 1.5 Most Briggs, Kohler, Kawasaki, and Vanguard engines hold approximately two (2) quarts of motor oil. Be careful not to over fill engine oil. Refer to the engine's service manual.

Warranty Registration

The Warranty Registration form must be completed within 30 days to validate your warranty. As the new equipment owner, you are expected to see that the form is completed and forwarded to Bad Boy, Inc., at time of delivery. Warranty is non transferable. **Warranty registration should be completed by the selling dealership using the on-line registration site.**

Model/Serial Number

Your Stand-On model serial numbers are found on the SIN plate inside podium and under the floor panel. Also, these numbers can assist you in the ordering of new parts when replacements become necessary.

Parts/Service

Only Bad Boy replacement parts are to be used on your mower.

Replacement parts are available through your local Bad Boy Mower Dealer. Remember to always provide the following information when ordering parts:

1. Correct part number
2. Correct serial number

All warranty repair and service must be handled through your authorized Bad Boy Mowers dealer.

To locate the nearest dealer, go to our website and click on Locate a Dealer.

EVAPORATIVE EMISSION CONTROL WARRANTY STATEMENT

Federal Evaporative Emission Control Warranty: Your Warranty Rights and Obligations

The Environmental Protection Agency (EPA), and Bad Boy Inc. are pleased to explain the evaporative emission control system's warranty on your 2016 equipment. New equipment that uses spark ignition engines for off-road use must meet stringent anti-smog standards. The evaporative emission control system on your equipment is designed, built, and equipped so it conforms at the time of sale to the ultimate purchaser with the requirements of 40 CFR 1060. The evaporative emission control system is free from defects in materials and workmanship that may keep it from meeting said requirements. Bad Boy Inc. must warrant the evaporative emission control system on your equipment for two years provided there has been no abuse, neglect or improper maintenance. If an evaporative emission control system component does fail in a manner that would cause the equipment to no longer meet the requirements of 40 CFR 1060 within the first two years Bad Boy Inc. will replace the defective component. Your evaporative emission control system may include parts such as fuel tanks, fuel lines, carbon canisters, fuel caps, valves, vapor hoses, clamps, or connectors.



SECTION 2: MOWER SAFETY GUIDELINES

Never allow untrained people to operate this machine. It is the owner's responsibility to get training and see to it that anyone who has permission to use your machine receives the proper training. Do not mow around people. The factory discharge chute is designed to deflect debris downward, but it could be possible for debris to be thrown in a way that can cause damage to people or property. Seek additional training when possible to learn more about safety techniques and practices. **This cutting machine is capable of amputating hands and feet and throwing objects. Failure to observe the following safety instructions could result in serious injury or death.**

GENERAL OPERATION

- 2.1 Read, understand, and follow all instructions on the machine and in the manual before starting.
- 2.2 Do not put hands or feet near rotating parts or under the machine. Keep clear of the discharge opening at all times.
- 2.3 Always remain seated while operating the machine. If the machine is equipped with Roll Over Protection (ROPs), always buckle your seat belt.
- 2.4 Only allow responsible adults who are familiar with the instructions to operate this machine.
- 2.5 Clear the area of objects such as rocks, wire, toys, etc., which could be thrown by the blades.
- 2.6 Always maintain a safe distance from people and pets just prior to, and during, operation. Stop the machine if anyone enters the area.
- 2.7 Never carry passengers.
- 2.8 Do not mow in reverse unless absolutely necessary. Always look down and behind before and while backing.
- 2.9 Never direct discharged material toward anyone. Avoid discharging material against a wall or obstruction as material may ricochet back toward the operator. Stop the blades when crossing gravel surfaces.
- 2.10 Never operate the machine without the discharge chute, grass catcher, or other safety devices correctly in place and functioning properly.
- 2.11 Slow down before turning.
- 2.12 Always disengage blades, place steering controls in neutral, engage parking brake, and remove ignition key when leaving operators seat. Never leave a running machine unattended.
- 2.13 Disengage blades when not mowing. Shut off engine and wait for all parts to come to a complete stop before cleaning the machine, inspecting the machine for damage, removing the grass catcher, or unclogging the discharge guard.
- 2.14 Always operate machine in daylight or with adequate working lights.
- 2.15 Do not operate the machine while under the influence of alcohol or drugs.
- 2.16 Watch for traffic when operating near or crossing roadways.
- 2.17 Always wear eye protection when operating or servicing the machine.
- 2.18 Always wear ear protection, such as earplugs, while mowing.
- 2.19 Use extra care when loading or unloading the machine into a trailer or truck.
- 2.20 Be alert of surroundings. Watch for rocks, stumps, mounds, depressions, and low hanging limbs or objects that could be potentially hazardous while mowing.
- 2.21 Data indicates that operators 60 years of age and above are involved in a large percentage of riding mower related injuries. These operators should periodically evaluate their ability to operate the riding mower safely enough to protect themselves and others from serious injury.

SLOPE OPERATION

Slopes are a major factor related to loss of control and tip over accidents, which can result in severe injury or death. Operation on all slopes requires extra caution. If you cannot back up the slope, or you feel uneasy on it, do not mow it.

- 2.22 Mow up and down slopes, not across.
- 2.23 Watch for holes, ruts, bumps, rocks, or other hidden objects that tall grass can obscure. Uneven terrain could overturn the machine.
- 2.24 Choose a low ground speed when operating the machine on a slope.
- 2.25 Do not mow on wet grass, the tires may lose traction.
- 2.26 Do not attempt to coast down a slope in the neutral position.
- 2.27 Avoid starting, stopping, or turning on a slope. If the tires lose traction, disengage the blades and proceed slowly, straight down the slope.
- 2.28 Keep all movement on slopes slow and gradual. Sudden changes in speed or direction could cause the machine to roll over.
- 2.29 Use extra care while operating machine with grass catchers or other attachments: they can affect the stability of the machine. Do not use on steep slopes.
- 2.30 Do not try to stabilize the machine by putting your foot on the ground.
- 2.31 Do not mow near drop offs, ditches or embankments. The machine could suddenly roll over if a wheel goes over the edge or the edge caves in.
- 2.32 Be aware of what is located at the bottom of slopes. For example: rocks water, cliffs, and roadways.

CHILDREN

Tragic accidents can occur if the operator is not alert to the presence of children. Children are often attracted to the machine and the mowing activity. NEVER assume that children will remain where you last saw them.

- 2.33 Keep children out of the mowing area and in the watchful care of a responsible adult other than the operator.**
- 2.34 Maintain alertness and turn machine off if a child enters the area.**
- 2.35 Before and while backing, look behind and down for small children.**
- 2.36 Never carry children, even with the blades shut off. They may fall off and be seriously injured or interfere with safe machine operation. Children who have been given rides in the past may suddenly appear in the mowing area for another ride and be run over or backed over by the machine.**
- 2.37 Never allow children to operate the machine.**
- 2.38 Never leave key in the ignition, especially around children.**
- 2.39 Use extreme care when approaching blind corners, shrubs, trees, or other objects that may block your view of a child.**

TOWING

- 2.40 Tow only with a machine that has a hitch specifically designed for towing. Do not attach towed equipment except at the hitch point.
- 2.41 Follow the manufacturer's recommendation for weight limits for towed equipment and towing on slopes.
- 2.42 Never allow children or others in or on towed equipment.
- 2.43 On slopes, the weight of the towed equipment may cause loss of traction and loss of control.
- 2.44 Travel slowly and allow extra distance to stop.



SERVICE:

SAFE HANDLING OF GASOLINE

To avoid personal injury or property damage, use extreme care in handling gasoline. Gasoline is extremely flammable and the vapors are explosive.

- 2.45 Extinguish all cigarettes, cigars, pipes, and all other sources of ignition.
- 2.46 Use only an approved gasoline container.
- 2.47 Never remove gas cap or add fuel with the engine running.
- 2.48 Allow engine to cool before refueling.
- 2.49 Never fuel the machine indoors.
- 2.50 Do not store machine near open flame or source of ignition, such as a water heater or furnace.
- 2.51 Remove gas powered equipment from the truck or trailer and refuel it on the ground. If this is not possible, then refuel such equipment with a portable container, rather than from a gasoline dispenser nozzle.
- 2.52 Never fill gasoline containers inside a vehicle or on a truck or trailer bed with a plastic liner. Always place containers on the ground away from your vehicle before filling.
- 2.53 Keep the nozzle in contact with the rim of the fuel tank or container opening at all times until the fueling is complete. Do not use a nozzle lock-open device.
- 2.54 If fuel is spilled on clothing, change clothing immediately.
- 2.55 Never overfill fuel tank. Replace gas cap and tighten securely. **Tank is full when level reaches bottom of fill tube.**

GENERAL SERVICE

- 2.56 Never operate machine in a closed area where dangerous carbon monoxide fumes can collect.
- 2.57 Keep all nuts and bolts tight to be sure the equipment is in safe working condition. Never operate a poorly maintained machine.
- 2.58 Do not touch hot areas of the machine.
- 2.59 Never interfere with the intended function of a safety device or reduce the protection provided by a safety device. Check their proper operation regularly.
- 2.60 Keep the entire machine free of grass, leaves, or other debris build up. Clean up oil or fuel spillage and remove any fuel soaked debris. Failure to do so can affect the safety and functionality of the machine, as well as increase the danger of a fire due to contact with the hot surfaces of the machine.
- 2.61 Allow machine to cool before storing.
- 2.62 If you strike something with the mower, turn the mower and blades off, engage the parking brake, and inspect the machine for damage. Repair, if necessary, before resuming.
- 2.63 Never make any adjustments or repairs with the engine running.
- 2.64 Check grass catcher components and the discharge guard frequently and replace with manufacturer's recommended parts, when necessary.
- 2.65 Mower blades are sharp. Wrap the blade or wear gloves before servicing them.
- 2.66 Check parking brake operation frequently. Adjust and service as required.
- 2.67 Maintain or replace safety and instruction labels, as necessary.
- 2.68 Do not attempt to mount a tire without the proper equipment and experience to perform the job.

-
- 2.69 Always maintain the correct tire pressure. Do not inflate the tires above the recommended pressure. Never weld or heat a wheel and tire assembly. The heat can cause an increase in air pressure resulting in a tire explosion. Welding can structurally weaken or deform the wheel.
- 2.70 Park machine on level ground. Never allow untrained personnel to service machine. Understand service procedure before doing work.

SAFETY INTERLOCK SYSTEM

Your Bad Boy mower is equipped with a safety interlock system. This system is designed to prevent serious injury or death to the operator and other people or property damage. The system consists of an operator presence switch in the seat, the parking brake, drive lever neutral position, the mower blade engagement switch, and the ignition switch.

These interlocks are vitally important and must be tested frequently. Following are instructions to test these very important safety precautions. **Note: the operator must be standing on the operator's platform during these tests and the engine should have been previously allowed to warm to operating temperature.**

- 2.71 On a level surface disengage the parking brake and attempt to start the machine (the blade actuator should be in the OFF position); the engine should not start.
- 2.72 Engage parking brake and put blade actuator in its ON position, then attempt to start the machine; the engine should not start.
- 2.73 Next, start the engine as stated in the 'Mower Operation Section', disengage parking brake, and allow the right lever arm to return to its outward position; the engine should stop.

If any of these tests fail to produce the results indicated and the problem cannot be identified, contact your Bad Boy Mower dealer or the support contacts in the rear of this manual.



SECTION 3: MOWER OPERATION

Never operate the machine with faulty equipment. Always be alert of sudden changes in landscape, as the mower will react differently on slopes or embankments than it will on flat surfaces. Never operate the mower with the discharge chute open. Do not cross terrain, other than grass, with blades turning. This could cause damage to property or bystanders.

- 3.1 Ensure parking brake is engaged.
- 3.2 Put PTO switch in the OFF position.
- 3.3 If machine has not been started recently, engage the choke.
- 3.4 Make sure nothing is under or around machine.
- 3.5 Place key in ignition and turn.
- 3.6 Once machine is started, disengage the choke.
- 3.7 Increase RPM by sliding the throttle to fast position, toward the rabbit.
- 3.8 Owners must become familiar with the controls before operating a zero-turn radius vehicle.
- 3.9 Start slowly and build your skill level. Have ample practice before using the machine at full capabilities.
- 3.10 Be comfortable with machine before engaging blades. Know what each component controls before using machine.
- 3.11 Your mower will perform differently on an incline /decline. Be cautious, slow down, and do not make any sudden jerking movements with control arms. The machine could lose traction on a decline or tip backwards on an incline.
- 3.12 Once you become comfortable with your Bad Boy Mower you will notice your overall mowing time will decrease.

***Avoid operating your mower on side hills of over 5 degrees,
inclines of over 10 degrees,
and declines of over 15 degrees.***

SECTION 4: MOWER MAINTENANCE

Maintenance	Interval					Section
	Daily	First 8 hours	Every 50 hours or annually*	Every 100 hours or annually*	Every 250 hours	
Check and add engine oil	•					Section 3
Check all belts for proper alignment	•					Section 2 (Pump) 6 (Deck)
Check tire pressure and wheel lug nuts	•					Section 5
Check battery terminal connections	•					Section 4
Check condition of blades	•					Section 6
Check for fule and oil leakage	•					Section 3
Initial oil change		•				Section 3
Change engine oil and filter			•			Section 3
Tighten nuts and screws			•			
initial change of hydraulic oil and filter			•			Section 1
Grease mower				•		Section 5
Replace air element and pre-cleaner ◇				•		Section 3
Replace fuel filter ◇				•		Section 3
Clean or replace spark plugs and set gap				•		Section 3
Change hudraulic oil and filter					•	Section 1
Clean combustion chamber <small>Dealer</small>					•	
Check and adjust valve clearance <small>Dealer</small>					•	
Clean and lap valve seating surface <small>Dealer</small>					•	

*Maintenance by hour or annually, which ever comes first

◇ Check air and fuel filter more often in dusty conditions

Dealer Get maintenance performed at a registered dealership



Maintenance Log

<i>Date:</i>	<i>Hours:</i>	<i>Performed:</i>
<i>Date:</i>	<i>Hours:</i>	<i>Performed</i>
<i>Date:</i>	<i>Hours:</i>	<i>Performed:</i>
<i>Date:</i>	<i>Hours:</i>	<i>Performed</i>
<i>Date:</i>	<i>Hours:</i>	<i>Performed</i>
<i>Date:</i>	<i>Hours:</i>	<i>Performed:</i>
<i>Date:</i>	<i>Hours:</i>	<i>Performed</i>
<i>Date:</i>	<i>Hours:</i>	<i>Performed:</i>
<i>Date:</i>	<i>Hours:</i>	<i>Performed</i>
<i>Date:</i>	<i>Hours:</i>	<i>Performed</i>
<i>Date:</i>	<i>Hours:</i>	<i>Performed:</i>
<i>Date:</i>	<i>Hours:</i>	<i>Performed:</i>
<i>Date:</i>	<i>Hours:</i>	<i>Performed</i>
<i>Date:</i>	<i>Hours:</i>	<i>Performed</i>
<i>Date:</i>	<i>Hours:</i>	<i>Performed</i>
<i>Date:</i>	<i>Hours:</i>	<i>Performed:</i>
<i>Date:</i>	<i>Hours:</i>	<i>Performed:</i>
<i>Date:</i>	<i>Hours:</i>	<i>Performed:</i>
<i>Date:</i>	<i>Hours:</i>	<i>Performed:</i>
<i>Date:</i>	<i>Hours:</i>	<i>Performed:</i>
<i>Date:</i>	<i>Hours:</i>	<i>Performed:</i>
<i>Date:</i>	<i>Hours:</i>	<i>Performed:</i>

SECTION 5: MOWER STORAGE & TRANSPORTATION

- 5.1 Keep machine from collecting debris by storing in a covered area while not in use.
- 5.2 Fuel can harm your machine if left for more than 30 days without changing, especially if the fuel contains ethanol. Never use fuel with more than 10% ethanol by volume. E-15 is not permitted.
- 5.3 Disconnect the negative battery cable when machine will be stored for more than 30 days.
- 5.4 Always secure machine properly when transporting machine.
- 5.5 Do not load machine on trailer with blades engaged.
- 5.6 Do not use ramps to load the machine.
- 5.7 Make sure Parking Brake is in “up” position.
- 5.8 In wet conditions tires may spin while loading / unloading. If necessary, wait for dry conditions before loading / unloading.
- 5.9 Make sure mode of transportation is suitable to bear the weight of mower.
- 5.10 Deck height should be set at maximum before attempting to load.
- 5.11 Secure mower with at least two straps capable of securing weight of mower.

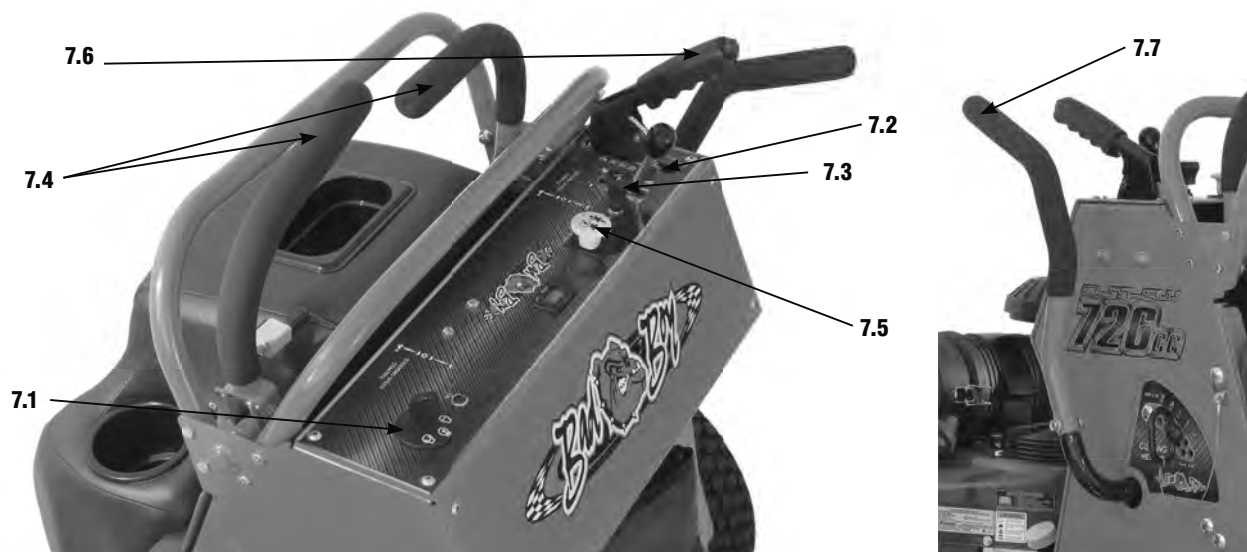


SECTION 6: TROUBLESHOOTING

- 6.1 **Q:** *How do I prevent an uneven cutting pattern and increase the quality of cut?*
- 6.1 **A:** Check tire pressure, check blade sharpness (replace blades or sharpen at least once per year or when needed), make sure blades are tightened properly, check spring and belt tension, check the underside of the deck to ensure the mower deck is free of grass build-up and debris, make sure your machine is at full throttle, and vary your mowing pattern each time you cut your grass.
- 6.2 **Q:** *What should I do if my mower won't start?*
- 6.2 **A:** Check battery charge and connection (grounds), check your fuel (make sure fuel is less than 30 days old and contains no water), make sure your spark plug is in good condition and spark plug wire is attached, and make sure air filter is clean (a dirty filter makes it more difficult for the engine to draw air). Check the integrity of the 25 amp main fuse; also check for any bare wires and/or bad connections.
- 6.3 **Q:** *What should I do if the blades won't engage?*
- 6.3 **A:** Check the underside of the PTO engagement switch to ensure the plug is secure. Also check PTO fuse underneath operator console (15 Amps).
- 6.4 **Q:** *What type of fuel is recommended for my mower?*
- 6.4 **A:** We recommend that you use a name brand fuel to ensure quality. Use fuel with an octane rating near 87. Higher octane fuels offer no benefit. By law, E-15 fuel is not permitted. Usage of E-15 will result in premature engine failure.
- 6.5 **Q:** *Do you offer touch-up paint for your mowers?*
- 6.5 **A:** Touch-up paint is available. Contact your local dealer for more information.

SECTION 7: CONTROLS

- 7.1 **Ignition Switch**—Bad Boy Mowers have a three position ignition switch: off, run, and start. With key inserted, rotate it clockwise to START position and release key when engine starts, and switch will automatically return to the RUN position.
- 7.2 **Throttle Control**—A cable is connected to the engine throttle for controlling engine speed. Move lever forward to increase engine rpm, move lever backward to decrease engine rpm.
- 7.3 **Choke Control**—A cable is linked to manually operate the engine choke. When the lever is in the down position, the choke is in the off (run) position. When the lever is pulled up, the choke is in the on (start) position. Do not operate the machine in the on (start) position. The choke lever is on the driver's left side, next to the seat.
- 7.4 **Control Levers**—These levers control the mower's speed, direction, and neutral lock. These levers are used to steer, accelerate, decelerate and change direction. (Drive Arms)
- 7.5 **Blade Engage Switch**—This switch engages the blades. Pull the switch up to engage the blades and push the switch down to disengage the blades.
- 7.6 **Parking Brake**—To engage the parking brake pull the handle up and rearwards. To disengage, depress the thumb button and place the handle in its forward-most position.
- 7.7 **Deck Lift Lever**—The deck height is controlled by the lever and set with a removable pin (as shown in the photograph). To raise the deck to its highest position, pull the lever to its rearward stop. The deck and lever will lock in this position. Choose the deck height by inserting the pin into the hole that corresponds to the desired cutting height. Standing on the operator's platform, quickly pull back on the lever; this will disengage the locking mechanism and allow the lever to move forward until the chosen cut height is reached.





SECTION 8: MOVING INOPERABLE MOWER

- 8.1 Do not tow machine. Use a winch to load on a trailer for transporting.
- 8.2 **ATTENTION:** RETURN BYPASS VALVES TO OPERATING POSITION BEFORE RUNNING MOWER FOLLOWING REPAIRS.
- 8.3 Stand-On Models are equipped with two neutral engage/disengage arms, located at the rear of the mowing deck protruding from the front of the transaxles. By pushing the arms in the mower can be put in a neutral position. Return the arms to the “forward position for normal operation.



- 8.4 Your Bad Boy Mower Weighs: **OUTLAW STAND-ON: 897 lbs**

**** Weights fluctuate with the addition of accessories.*

- 8.5 As you can see by the weights of the machines, you shouldn't ever try to push or pull a Bad Boy Mower by hand. This could cause serious bodily injury.
- 8.6 Hopefully, you'll never need to use this section of the manual. However, if you do, use extreme caution when moving machine!

SECTION 9: INSTRUMENTATION

- 9.1 **Electronic Hour Meter**—Registers Hour increments up to 9,999.9 total hours. This meter records the cumulative time the engine is running.
- 9.2 **Engine Oil Light**—Alerts the user of a low oil level situation when lit.

SECTION 10: MOWER BLADE MAINTENANCE

- 10.1 Check mower blades after each use. This is essential for maintaining well-groomed turf. Keep the blades sharp. If a dull blade is used for cutting, the grass will tear rather than cut. This could damage the grass leaving a brown frayed top on the grass within a few hours. A dull blade will also require more power from the engine.
- 10.2 NEVER attempt to straighten a bent blade by heating. NEVER attempt to weld a cracked blade. The blades can break and cause serious injury or death.
- 10.3 NEVER work with blades while engine is running or deck clutch is engaged.
- 10.4 ALWAYS place deck clutch in DISENGAGE position while performing maintenance.
- 10.5 Use blocks when you MUST work under mower.
- 10.6 ALWAYS wear thick gloves when handling blades.
- 10.7 ALWAYS check for blade damage if mower strikes rock, branch, or other objects that could potentially damage the blade.

***(REMEMBER: NEVER CHECK BLADE WHILE ENGINE IS ON!
NEVER CHECK BLADES WHILE BLADES ARE ENGAGED!)***

SECTION 11: GREASING THE BEARINGS

- 11.1 Park the machine on a level surface and disengage the blade control switch.
- 11.2 Engage the parking brake, move the right control lever outward to its neutral position, stop the engine, remove the key and wait for all moving parts to stop before leaving the operating position.
- 11.3 Grease Type: NLGI grade #2 multi-purpose gun grease. Grease the front caster pivots. 11.4 Clean the grease fittings with a cloth. Scrape any paint off the front of the fitting(s).
- 11.5 Connect a grease gun to each fitting. Pump grease in fittings until grease begins to seep out of the bearings. Wipe up excess grease.
- 11.6 Refer to service manual section for grease fitting locations.



HOW TO CHOOSE THE RIGHT BLADE

Essentially there are only TWO basic styles of mowing blades used or approved for use on our current products:

- 1) The standard style of mowing blade is essentially designed for cutting grass and effectively discharging the clippings out from the deck to fall onto the lawn or to be captured in a grass collection system. Standard blades are also referred to as “2-in-1” (discharging & bagging) or “high-lift” blades (because they are designed to create a higher-lifting airflow).
- 2) Mulching blades generally have a more curved style surface and frequently include extra cutting surfaces along the blade edges. These blades may also come in a “+” design (which is actually two individual blades arranged in a perpendicular fashion to enhance mulching). The “+” blades are usually found on older style mowers; newer ones utilize blades with more advanced mulching technology. Mulching blades may also be referred to as “3-in-1” (mulching, discharging & bagging) or “all-purpose” blades.

Bear in mind that the re-circulating airflow design of 3/1 blades makes them less efficient at discharging grass clippings than a standard 2/1 blade. As with most all-purpose tools, there is some give and take as opposed to using a tool designed for a more specific purpose.

If you're experiencing less-than-desired cutting or discharging performance with a 3/1 blade, you may want to check into using a 2/1 blade. Conversely, if you're using a 2/1 blade and want to mulch clippings, you should see about the availability of mulching blades or a mulching kit.*

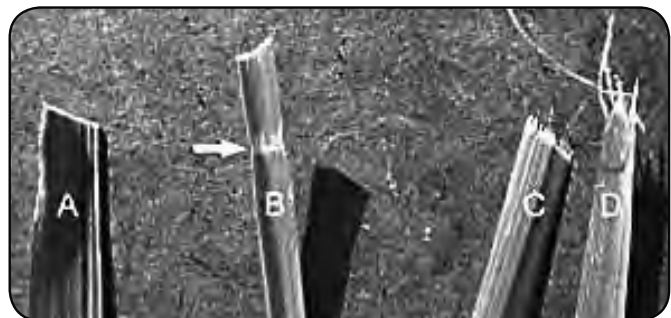
The type of blade installed on a new mower is a decision the retailer makes for each model of mower, based on the expected needs of most customers. If you're unsure of which blade is on a particular model, inspect the blade. Blades have part numbers stamped into them. Then compare these part numbers with the unit's Operator's Manual or Parts List.

It is true there are many other styles of blades available. But since we don't manufacture or recommend using these other aftermarket styles, we will leave them out of this discussion. Should you want more information on special application or aftermarket blades, you should contact the companies that make these products. NOTE: Customers using non-OEM blades do so at their own risk. The use of unapproved (non-OEM) blades may void any or all of the mower and engine factory warranties.

* **MULCHING KITS** – These generally consist of mulching blades and a mulching plug (which closes off the discharge opening to keep the clippings contained under the deck for re-cutting) plus any necessary hardware for installation. Please check with your parts distributor regarding the contents of a particular mulching kit.

MOWING TIPS:

- Mow header strips at the ends of the lawn and around flower beds first. Make them wide enough that you can turn the mower around in the already mown section. Then mow back and forth between these header strips overlapping each lap by about 1/8 the width of the mower's deck.
- Don't cut your grass too short, particular for cool season grasses. Higher heights usually provide for a deeper root system, looks better, and is less likely to have weeds invading, particularly crabgrass.
- Don't remove any more than one third of the grass leaf at any one cutting. If circumstances arise that a lawn gets too tall and you just have to lop off a bunch to get caught up, bite the bullet and break it down into several mowings to get caught up with 3 or so days between cuttings.
- **NEVER SCALP YOUR LAWN.** Scalping severely damages the root system to such a degree that it may die.
- Avoid mowing when the grass is wet or when it's dark
- Avoid throwing grass clippings into the street and driveway where they can be washed into the sewer system. After mowing, clean up driveway and walkways.
- When mowing remove only a third with each cutting (except for the first mowing of the season when it's ok to remove more). You can safely leave clippings that will quickly decompose and add nutrients back into the soil. Contrary to popular opinion, grass clippings do not add to thatch buildup. Grass blades are made up of about 75% water.
- Mow your lawn in a different direction with each mowing, especially with lawns of shorter grass types. Altering the direction ensures a more even cut since grass blades will grow more erect and less likely to develop into a set pattern.
- Keep your mower's blade sharp, which means having it sharpened several times during the mowing season. Keep several blades around so you'll always have a sharp one on hand. Sharp blades cut the grass cleanly and help mulch clippings into small pieces which break down quickly.
- Don't forget to change your mower's oil at least once during the mowing season. For brand new mowers, change the oil after about 5 hours of operation during the initial break-in period.
- At the end of the mowing season use a fuel stabilizer in the remaining gasoline
- In the spring, don't use that old gas unless you properly used a fuel stabilizer, it can cause a number of problems. Better to use fresh gasoline to begin the new mowing season.
- **Leaf blade A** demonstrates what a leaf blade should look like after mowing with a sharp blade.
- **Leaf blade B** demonstrates a leaf blade that was injured by a dull mower blade.
- **Leaf blade C** was cut by the mower but indicates that the mower blade is not sharp enough. The shredded white tissue protruding from the leaf blades C and D is the vascular tissue of the plant.
- **Leaf blade D** has been mown for quite some time with a dull mower blade.



To bag or mulch?

Grass clippings do not contribute to thatch buildup or increase the chances of disease. If you mow your lawn at the right height, without removing any more than 1/3 of it's total height, clippings will quickly breakdown without a trace. These clippings contribute additional nitrogen and other nutrients to the soil and supply it with additional organic materials. Clippings from a 1000 sq. ft. lawn can add as much as 1 - 2 pounds of nitrogen back into the soil.

If you have a compost pile, then you may want to bag your clippings occasionally to add much needed green-matter to the compost pile. Make sure it is mixed thoroughly with brown matter to avoid a strong ammonia odor. **DO NOT COMPOST CLIPPINGS** after applying any weed control or weed-feed type product. Before adding clippings to the compost pile wait at least 3 mowings after these products have been applied.



SERVICE SECTION

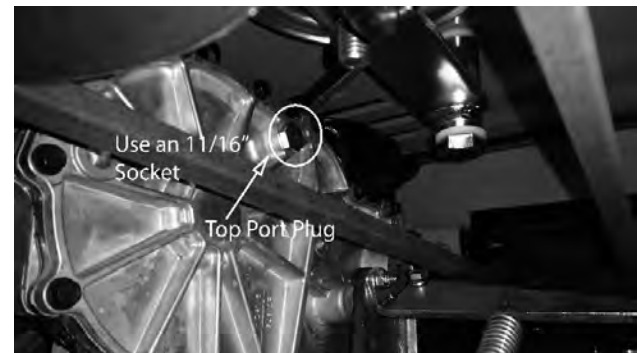
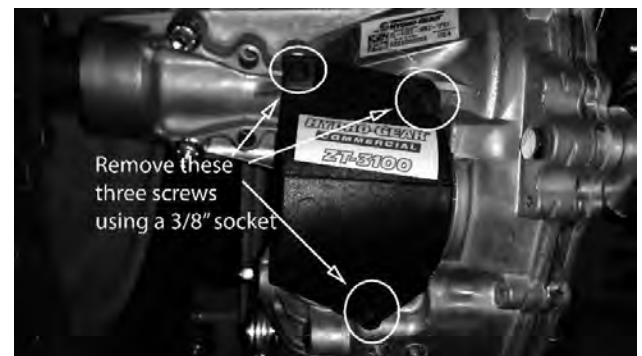
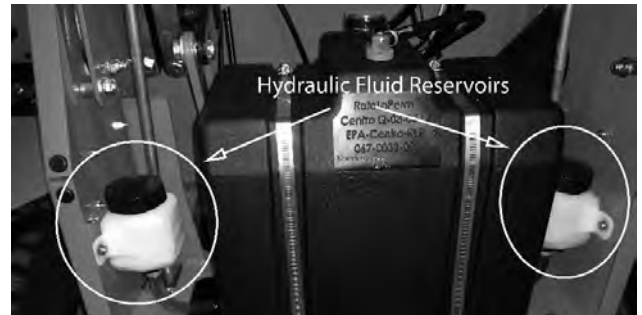
SECTION 1: HYDROSTATIC SYSTEM

The hydraulic fluid reservoirs are located on the sides of the rear cover. Notice the “full cold” line at the bottom of the tank. Use only 20W-50 motor oil in this tank.

(Bad Boy Hydrostatic oil is recommended)

Changing your hydraulic oil and filter

- 1) Remove the tops from the hydraulic fluid reservoirs and get an oil drain pan. Lift the mower from the rear will make access to the transaxles easier and allow you to purge the air from the transaxles.
- 2) Remove the three ¼” filter guard screws and filter guard from the ZT-3100 Transaxle or ZT-3400. Clean any loose debris from around the perimeter of the filter.
- 3) Place the oil drain pan under the oil filter as the oil filter serves as the drain for the transaxle.
- 4) After the oil has drained, wipe the filter base surface off and apply a film of new oil to the gasket of the new replacement filter.
- 5) Install the new filter by hand, turn ¾ to one full turn after the filter gasket contacts the filter base surface.
- 6) Re-install the filter guard with three ¼” screws. Torque screws to 65 in. lbs. (7.3 Nm) each.
- 7) Repeat steps 1-6 on the opposite side transaxle drive.
- 8) Drain old oil filters of all free flowing oil prior to disposal. Place used oil in appropriate containers and deliver to an approved recycling collection facility.
- 9) Remove the top port plug from the left side and right side transaxles prior to filling with oil. This will allow the transaxles to vent during oil fill and prevent any air lock within the transaxles.
- 10) Fill with 20W-50 motor oil (Bad Boy Hydrostatic oil is recommended) through the hydraulic fluid reservoirs until it just appears at the bottom of each transaxle’s top port (approximately 2 quarts per transaxle, 4 quarts total). Install the top port pug into each transaxle as the oil level reaches this port.



- 11) Install and torque the top port plugs to 180 in. lbs. (20.3 Nm).
- 12) Continue to fill the transaxle through the hydraulic fluid reservoirs until the "Full Cold" line is reached on the hydraulic fluid reservoirs.
- 13) Re-install the caps on the hydraulic fluid reservoirs.
- 14) Now we need to purge the air from the transaxle. With your mowers tires off the ground disengage the brake and start the engine.
- 15) Pull the neutral bypass levers which are located on each side of the muffler. Then slowly move the drive arms in the forward and reverse direction 5 to 6 times.
- 16) Push the neutral bypass levers back into place. Move the drive arms forward and backward 5 to 6 times slowly. Check the oil level, and add oil as required after stopping the engine.
- 17) It may be necessary to repeat steps 15 and 16 until all the air is completely purged from the system. When the transaxle operates at normal noise levels and moves smoothly forward and reverse at normal speeds, then the transaxle is considered purged.

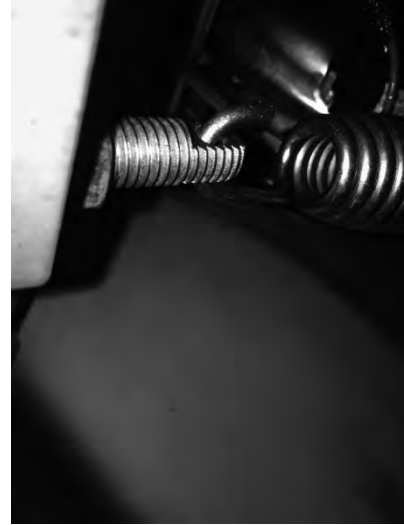


The neutral rods also allow you to disengage the transaxles and move the mower without the engine running.

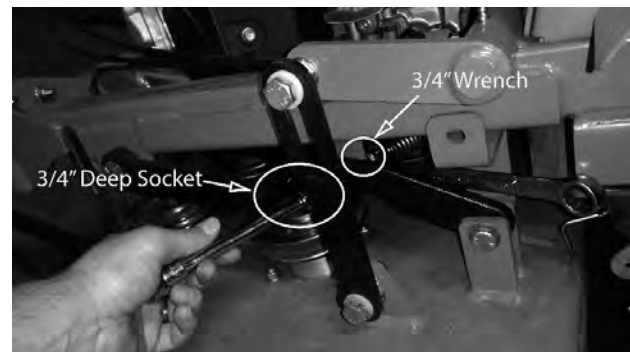


SECTION 2: DRIVE BELT

Shown on the right is a typical pump belt tensioner for your model mower. This is how you can adjust the belt pump belt tension on your mower. There are two jam nuts on an all thread that need to be adjusted in order to change the tension in the spring.



Use a $\frac{3}{4}$ " wrench and a deep socket in order to loosen the two nuts. Tighten the outside nut if more belt tension is desired and loosen the outside nut if less belt tension is desired.



The pump belt tension should be set between 60-65 lbs. This should be measured with a belt tension gauge. Your dealer or service center will have a belt tension gauge or you can buy one (Part Number 041-9999-00).





SECTION 3: ENGINE

Kawasaki FX691V and FX730V

This machine has an oil drain hose installed on the engine to allow for easier oil changes. Bad Boy recommends that the oil and filter be changed at intervals of 50 usage hours or yearly, whichever occurs first. The oil capacity is 2 quarts. Bad Boy 10W-30 synthetic blend engine oil is recommended for maximum protection.

3.1 Changing your engine oil and oil filter

1) Remove oil dipstick and open oil drain using a 10 mm socket or a flat head screwdriver until oil begins flowing. Allow oil to completely drain. (Make sure to have an oil pan ready to capture old oil and properly dispose old oil.)

2) The oil filter is located on the right side of the engine. Clean area around oil filter. Place a container under the oil filter to capture any oil and remove filter. Wipe off mounting surface and reinstall drain plug. Torque to 10 ft.*lb.

3) Place new filter in shallow pan with open end up. Fill with new oil until oil reaches the bottom of the threads. Allow 2 minutes for oil to be absorbed by filter material.

4) Apply a thin film of clean oil to rubber gasket on new filter

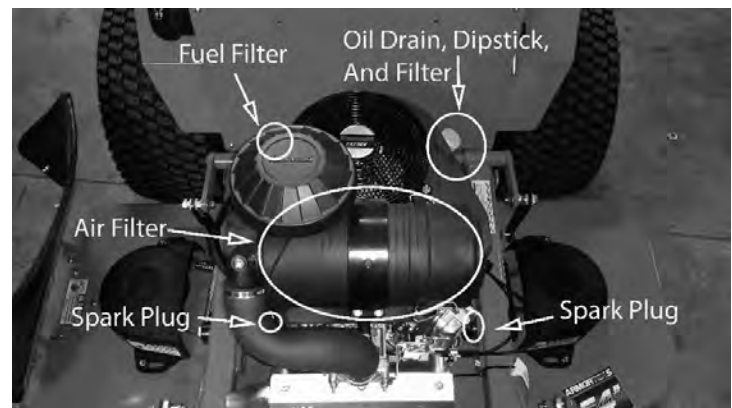
5) Refer to instructions on oil filter for proper installation.

6) Fill crankcase with approximately 2 quarts of new oil. Level should top of indicator on dipstick.

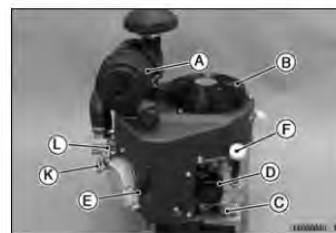
7) Reinstall oil fill/dipstick and tighten securely.

8) Start engine; check for oil leaks. Stop Engine; correct oil leaks. Recheck oil level

9) Dispose of used oil and filter in accordance with local ordinances.



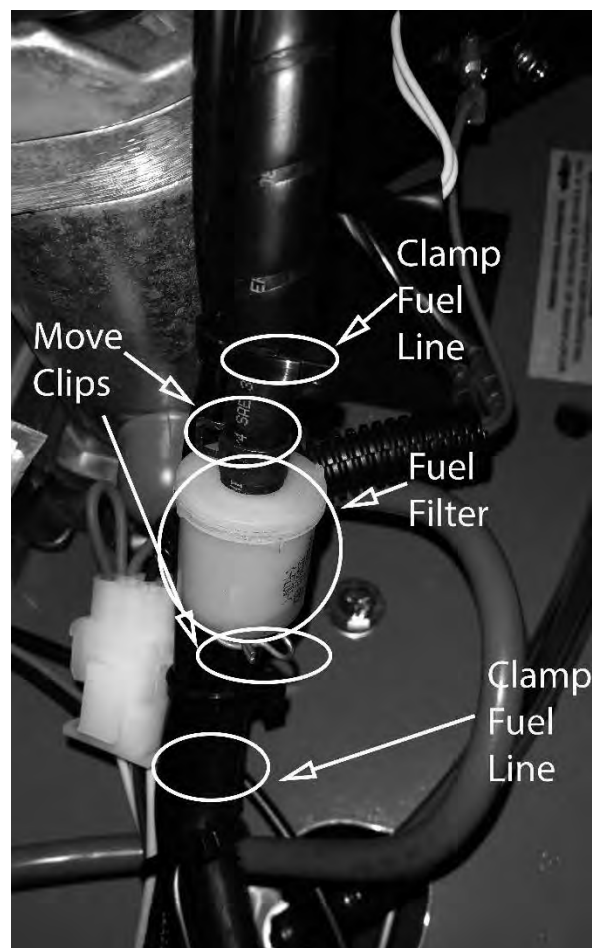
Parts Location



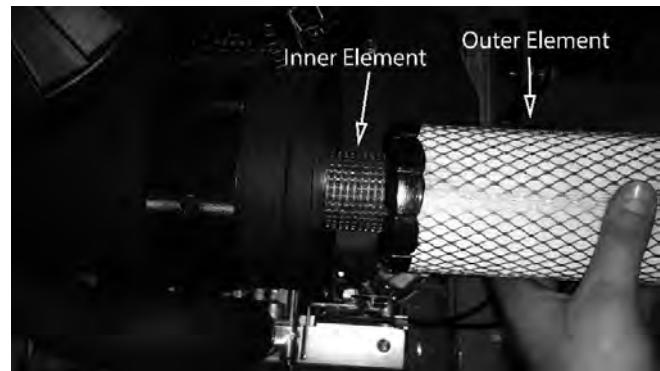
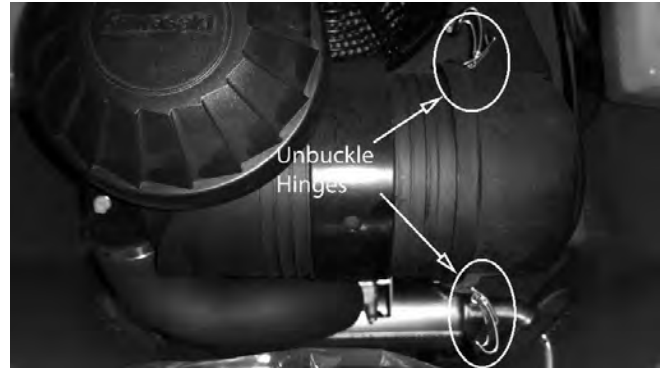
The fuel filter is located in the fuel line on the left side of the engine by the starter motor. Replace the filter yearly. Prior to the removal of the old filter, note the direction of fuel flow as indicated on the filter. Have towels readily available in order to quickly remove any fuel leakage. Always use new hose clamps and ensure the security of the new filter by lightly pulling on each hose. Always perform maintenance outdoors or in a well ventilated area. Do not smoke or allow any open flames in the vicinity of any maintenance activities.

3.2 Changing your fuel filter

- 1) Locate your fuel filter and mark the direction it is facing.
- 2) Clamp each side of the fuel filter to minimize and gas spills.
- 3) Remove the clips from each side of the fuel filter and remove the fuel filter.
- 4) Place the new fuel filter in the same direction as the old and place clips back into place and remove clamps.

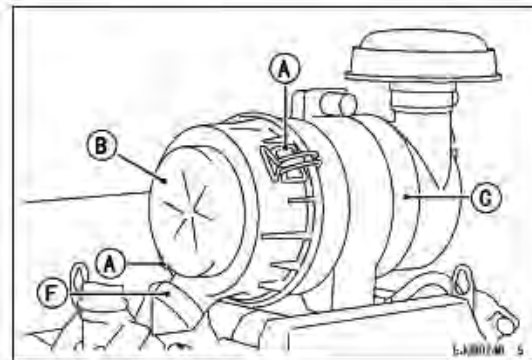


The air cleaner is the engine's only defense against damaging foreign particles. It is very important that the air cleaner element is inspected prior to each use. Remove the element and tap its sides in order to remove debris. Do not blow the filter out using compressed air. Doing so will greatly reduce the air cleaner's effectiveness. Replace yearly; more often in dusty environments. Adhering to these practices will help prevent loss of power and premature engine failure.

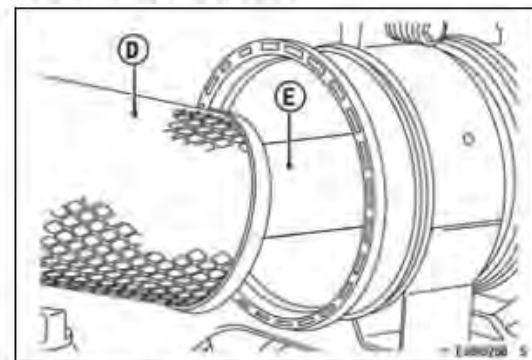


3.3 Changing the air cleaner

- 1) Locate the air filter and unbuckle the air filter cover.
- 2) Remove the cover and take out the outer white element and the inner blue element.
- 3) Clean or replace elements.
- 4) Reattach the cover making sure the air intake is facing down.



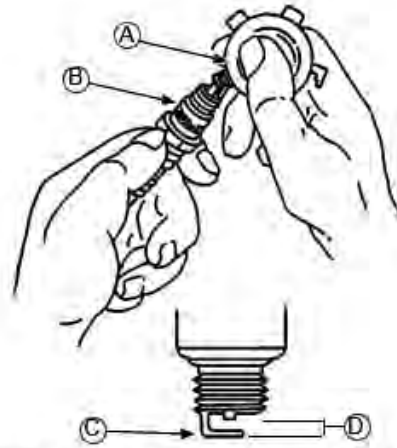
A. Retaining Clamps
B. Case
C. Air Cleaner Body
F. Cap (Dust Ejector Valve)



D. Primary Element
E. Secondary Element

3.4 Changing the spark plugs and checking the spark plug gap:

- 1) Remove the wire on the spark plug and use a 13/16" socket to remove the spark plug.
- 2) Check the gap on the spark plug to verify that it is 0.03 in using a feeler gauge.
- 3) If the spark plug is worn, overheated, wet or carbon fouled replace the spark plug.
- 4) Install the plug into cylinder head and torque to 16 ft*lbs. Be careful not to overtighten the spark plug.



A	Wire Gauge	B	Spark Plug
C	Ground Electrode	D	Gap

SECTION 4: ELECTRICAL SYSTEM

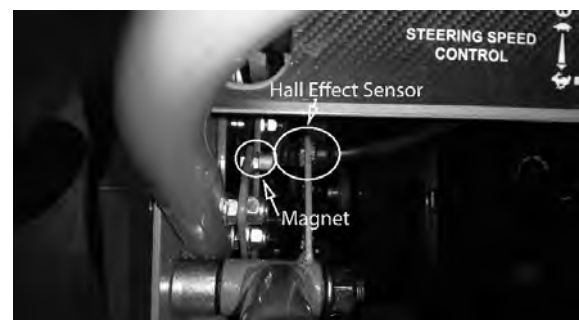
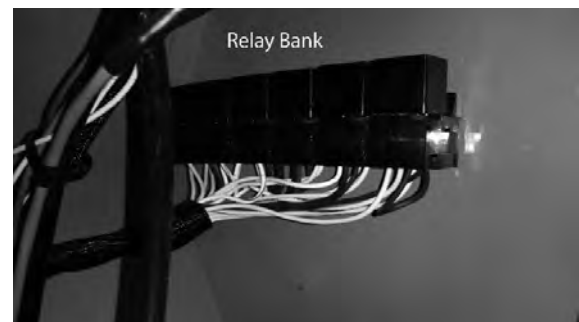
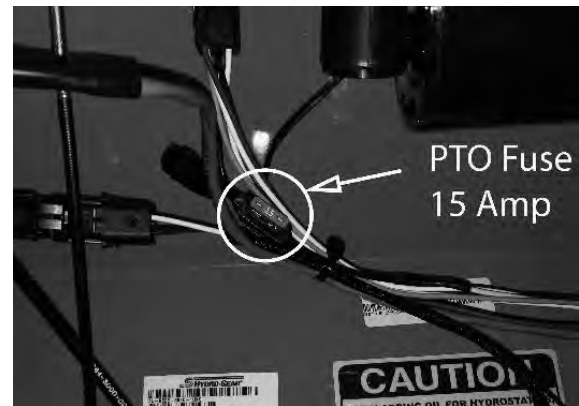
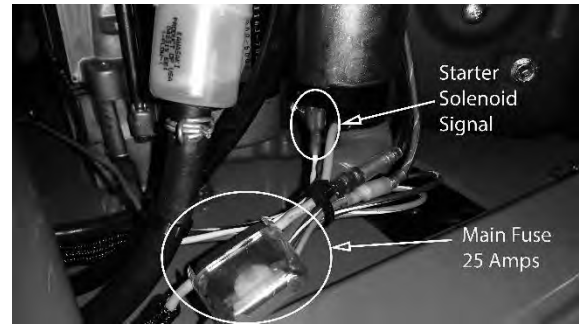
This mower is equipped with two protective fuses: a 25 amp main fuse (pictured to the right) and a 15 amp clutch fuse (blade engagement). The main fuse is located on the right side of the unit; towards the rear of the engine. The clutch fuse is located just underneath the operator's console. A blown fuse usually indicates a problem within the electrical system or an electrical component. Never replace a fuse with one of a higher amperage rating or 'bypass' a fuse in any way. Doing so creates a significant fire hazard and can cause severe damage to the mower's electrical components. If either fuse is repeatedly blowing, contact your Bad Boy dealer.

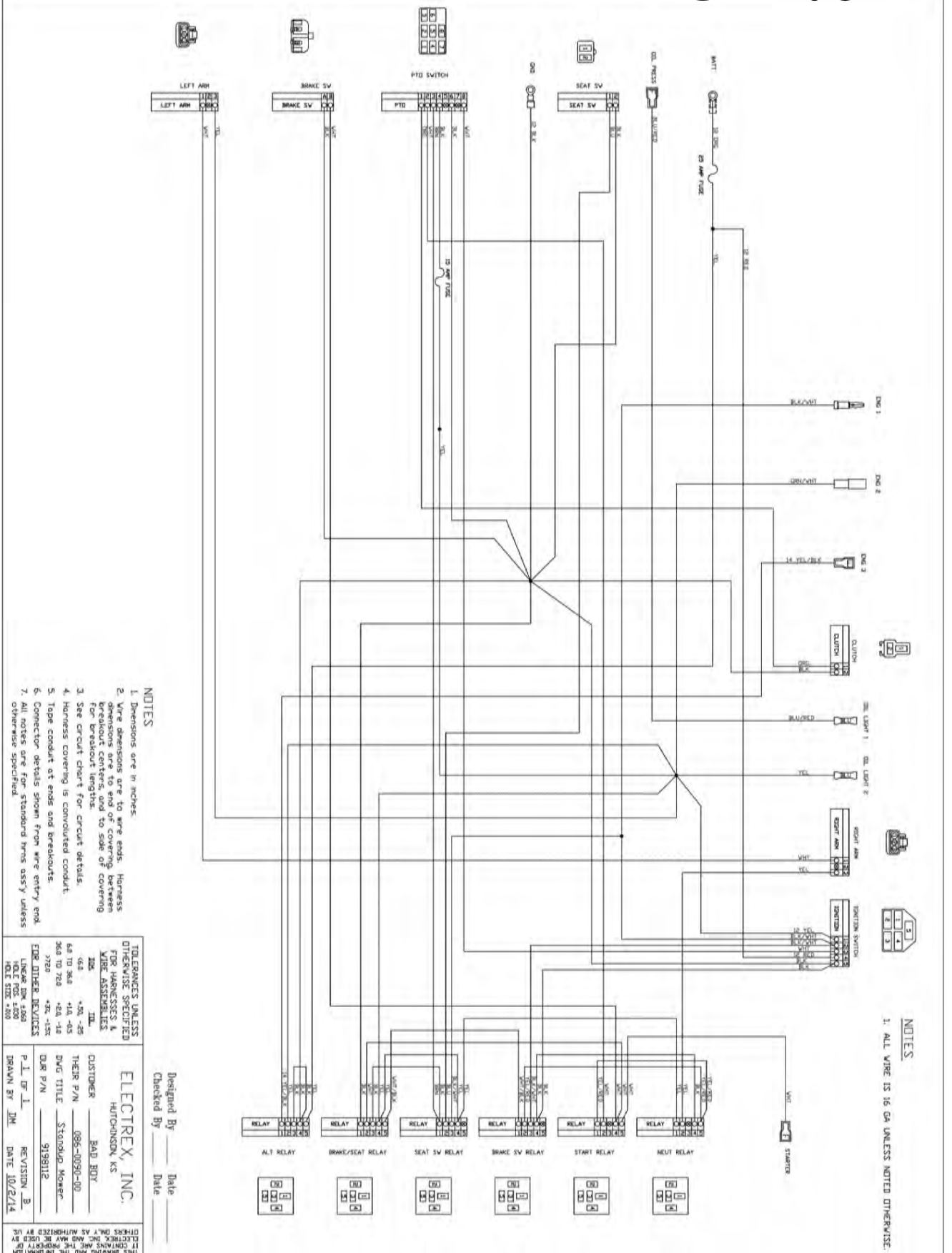
Always check the condition of the wiring harness ground cable. Ensure that the ground is connected, clean, and tight.

Check the condition and connection of the relays located on the right wall of the gas tank compartment. Ensure that they are clean and connected. Make sure that wire terminal ends have not been pushed out of the relay block.

The red wire coming out of the engine is the charging wire from the alternator. Check for 13.6—14.2 volts DC at this wire with engine at full throttle.

The stand on is equipped with two Hall Effect sensors and two magnets. The Hall Effect sensor must be lined up with magnet in order to start. If the mower will not start check to make sure they are lined up. You will hear the audible clicking of a relay when you move the sensor away from the magnet. The magnet can be adjusted in order to line up with the Hall Effect sensor.





- NOTES**
1. Dimensions are in inches.
 2. Wire dimensions are to wire ends. Harness dimensions are to end of covering between dimensions shown. Dimensions to side of covering for breakout lengths.
 3. See circuit chart for circuit details.
 4. Harness covering is convoluted conduit.
 5. Tape conduit at ends and breakouts.
 6. Connector details shown from wire entry end.
 7. All notes are for standard brass ass'y unless otherwise specified.

TDR CARRIER HARNESS OTHERWISE SPECIFIED FOR HARNESSES WIRE ASSEMBLIES	
30A 42A 6A TO 8A 36A TO 72A 72A	*20, -25 *10, -25 *20, -12 *20, -12 *20, -12
FOR OTHER DEVICES	
LINEAR DIM 1000 HOLE POS. 1000 HOLE SIZE *200	CUSTOMER: <u>BAO BOY</u> THEIR P/N: <u>095-0090-00</u> DWG TITLE: <u>Standard Motor</u> OUR P/N: <u>9198912</u> P.L. OF: <u>1</u> DRAWN BY: <u>DM</u>
REVISION: <u>B</u> DATE: <u>10/2/14</u>	

Designed By _____ Date _____
 Checked By _____ Date _____

- NOTES**
1. ALL WIRE IS 16 GA UNLESS NOTED OTHERWISE.

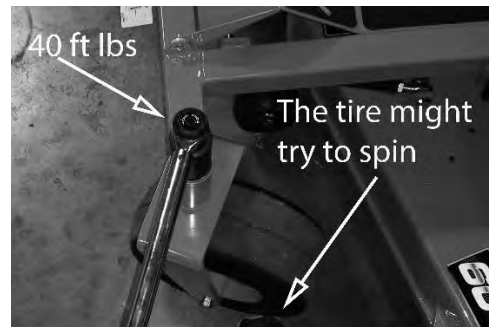
THE DRAWING AND THE INFORMATION IT CONTAINS ARE THE PROPERTY OF ELECTREX INC AND MAY BE USED BY OTHERS ONLY AS AUTHORIZED BY US.

SECTION 5: FRAME

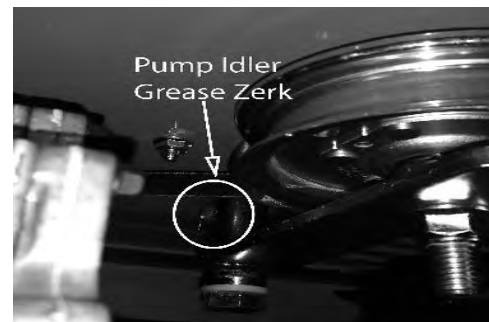
The front fork nuts require a torque of 40ft-lbs. While applying this torque, turn the fork itself to ensure no damage is done to the bearing. This operation is only necessary if a repair requires it.

Torque rear wheel lugs to 65-75 ft. lbs. Re-torque at every oil change and check at every mowing.

The front forks each have a grease zerk. The actuator bar has two grease zerks and should be greased at every oil change.



The pump belt tensioner is located under the engine and has a grease fitting at its pivot point. Grease at every engine oil change.



The deck belt tensioner is located at the rear of the deck and has a grease fitting on its pivot point. Grease at every engine oil change.



SECTION 6: CUTTING DECK

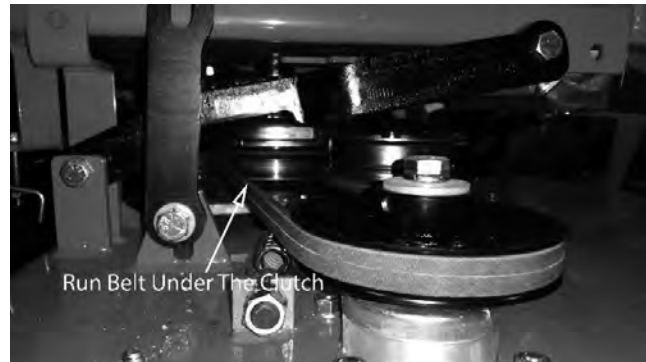
Deck belt removal

- 1) Remove ignition key.
- 2) Raise the deck to its highest position.
- 3) Remove the right pulley cover.
- 4) While lifting up on the belt (as shown in the photograph), rotate the pulley until the belt is free of the pulley. Exercise caution while performing this step as fingers can easily become caught between the belt and pulley.



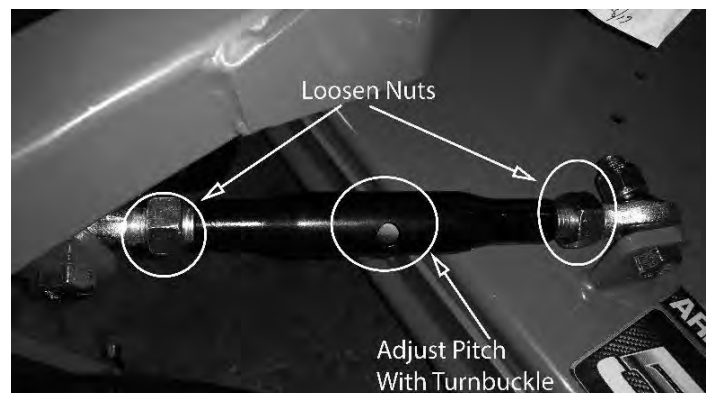
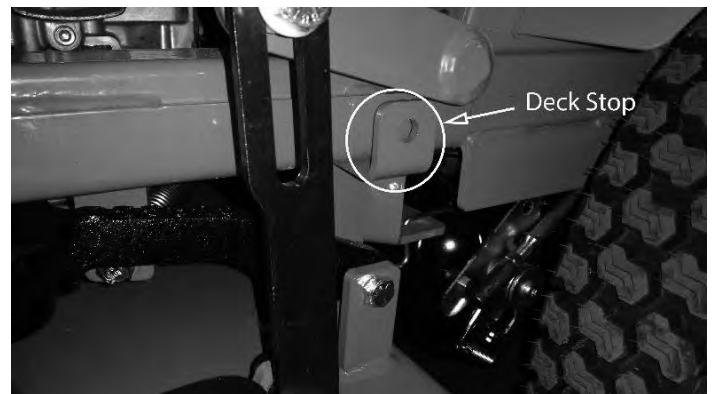
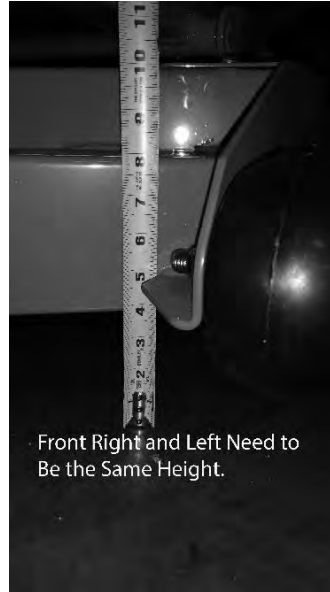
Deck belt installation:

- 1) Follow steps 1 and 2 from the deck removal section.
- 2) Take off both pulley covers and route the belt by following the belt route sticker.
- 3) The easiest way to finish running the belt is routing the belt through the deck pulleys and carefully slipping the belt onto the clutch in the rear of the engine.
- 4) Verify that the belt is routed properly as improper routing can damage the spindles as well as the engine.



Leveling the Deck

- 1) Start on a flat level surface and set the air pressure in all four tires to 12 psi.
- 2) Raise the deck up, and measure all four corners of the deck to see if it is level from left to right and front to back. All decks should be level from left to right and have a 1/8" pitch down in the front.
- 3) Adjusting the deck hangers in the rear of the deck will allow leveling from left to right.
- 4) Use 2x4s to lift the rear of the deck to the point that the deck stop hits the frame rail. Once the deck stop hits the frame rail, loosen the nuts on the bottom of the deck hanger using two 3/4" wrenches.
- 5) Raise the deck actuator arm on the podium and refasten the two nuts on each side once there is no slack in either deck hanger.
- 6) Adjust the turn buckles in the front of the deck to adjust the pitch up and down.
- 7) In order to use the turn buckles you must first use a crescent wrench and loosen the nuts on each side. Use a screwdriver in the middle hole on the turn buckle to spin the unit up and down to adjust the pitch and leveling.
- 8) Verify that the deck is level and has the correct pitch with a level and tape measure. Note that the deck will lose pitch as it drops to its lowest position.



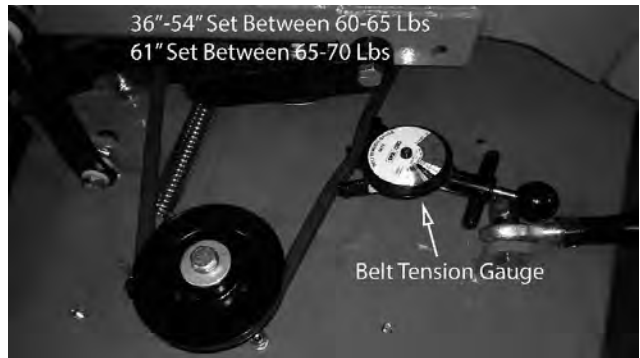
The deck spring tension is critical. If the tension is too high, premature failure of the deck belt and blade spindles can occur. If the tension is too low, the belt can 'jump off' or slip on the pulleys. This results in reduced cut quality and early belt failure.

Spring tension adjustments can be made by sliding the bolt shown above forward or backward in the slot of the deck. Belt tension should be 60-65 lbs. for the 36", 48" and 54" decks and 65-70 lbs. for the 60" deck, with the deck at its lowest setting.

Use a belt tension gauge to ensure the proper tension. Your dealer or service center will have a belt tension gauge or you can buy one (Part Number 041-9999-00).

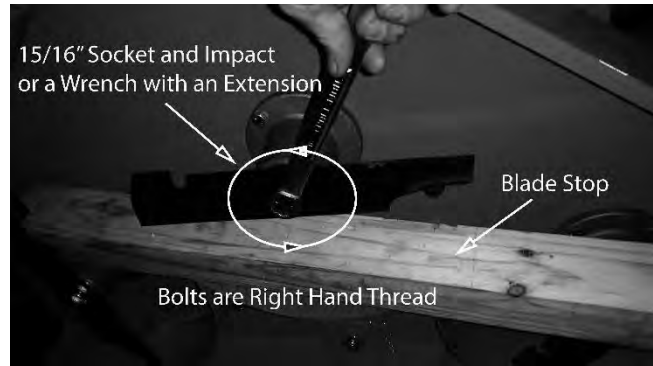
Blade Sharpening:

The blade on the top (see photo) was utilized long after replacement was required. In addition to a decline in cut quality, failure to replace a worn or damaged blade creates a major safety hazard. Bad Boy recommends that blade sharpening be performed by a professional.



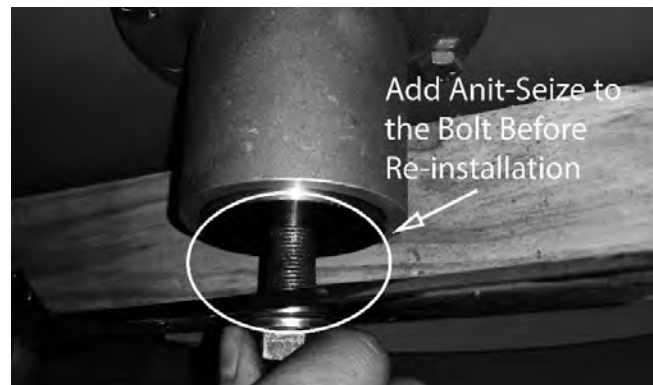
Blade Removal:

To change blades, it may be easier to use a piece of wood to keep the blade from turning so that the bolt can be loosened. Use a 15/16" socket and impact Drill, or a wrench and an extension to gain more leverage. You might need to put a 3/4" wrench on top of the pulley bolt to keep the blade from spinning. **Bolts used have right-handed threads.**



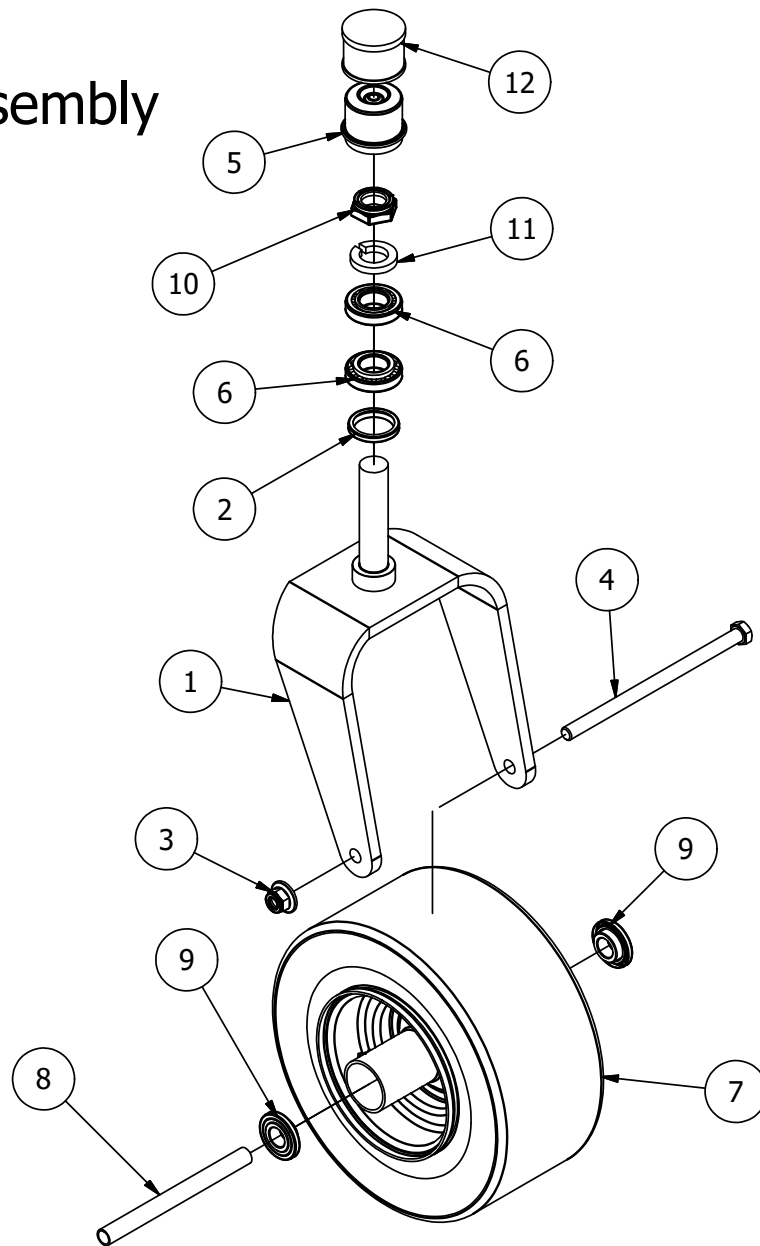
Re-torque the blade bolts to 90-110 lbs.

The blade spindles contain a sealed ball bearing inside the top and bottom of the spindle. The bearings are replaceable for a more cost effective repair.



PARTS SECTION

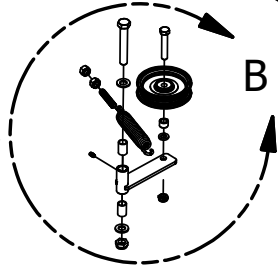
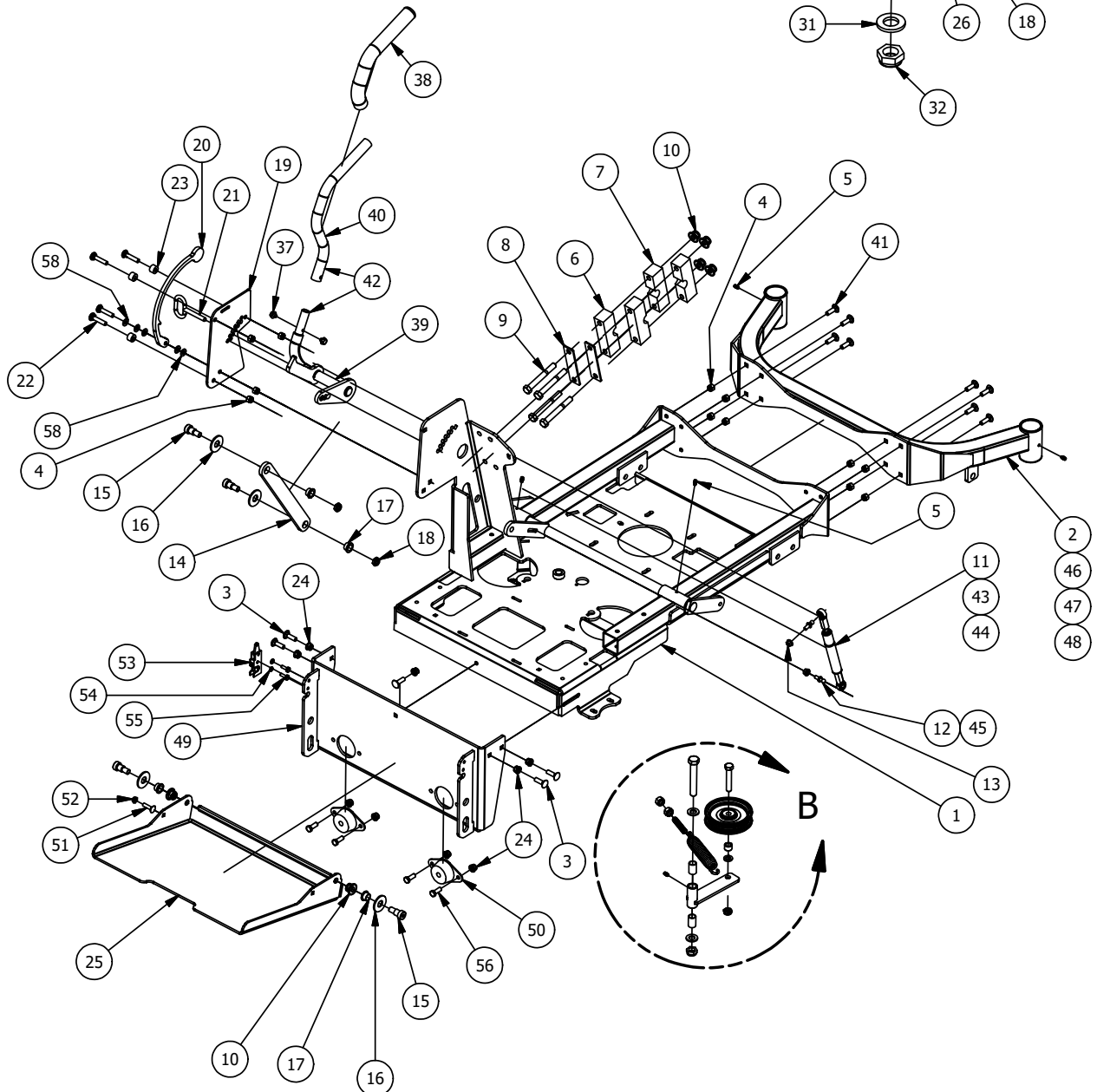
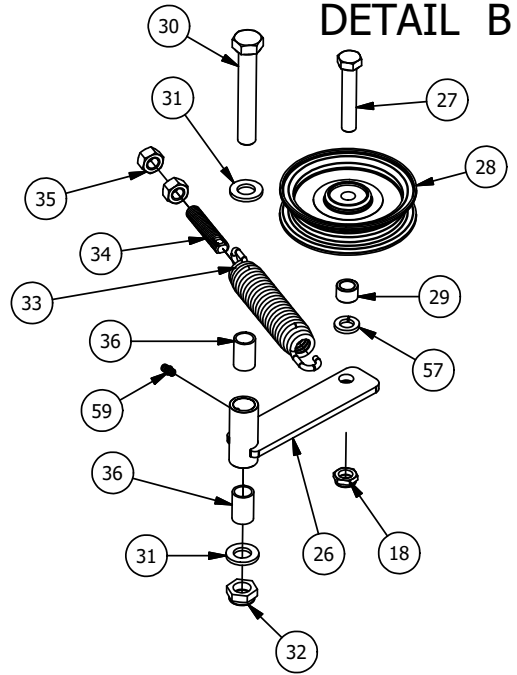
Front Fork Assembly



Parts List			
ITEM	QTY	PART NUMBER	DESCRIPTION
1	1	023-7913-00	Front Fork
2	1	012-7003-00	Seal
3	1	013-8050-00	1/2-13 Nylon Flange Nut
4	1	018-7010-00	1/2" x 9" GR 5 Hex Bolt
5	1	014-7005-00	Dust Cover
6	2	010-7001-00	Bearing
7	1	022-2006-00	Tire and wheel assembly
8	1	025-5202-00	Front Wheel Spanner
9	2	022-7009-00	1 3/8" Wheel Bearing
10	1	013-9004-00	1" Fine Thread 1/2 Nylock Nut
11	1	019-3000-00	1" Lock Washer
12	1	014-8047-00	Spring Cap Cover

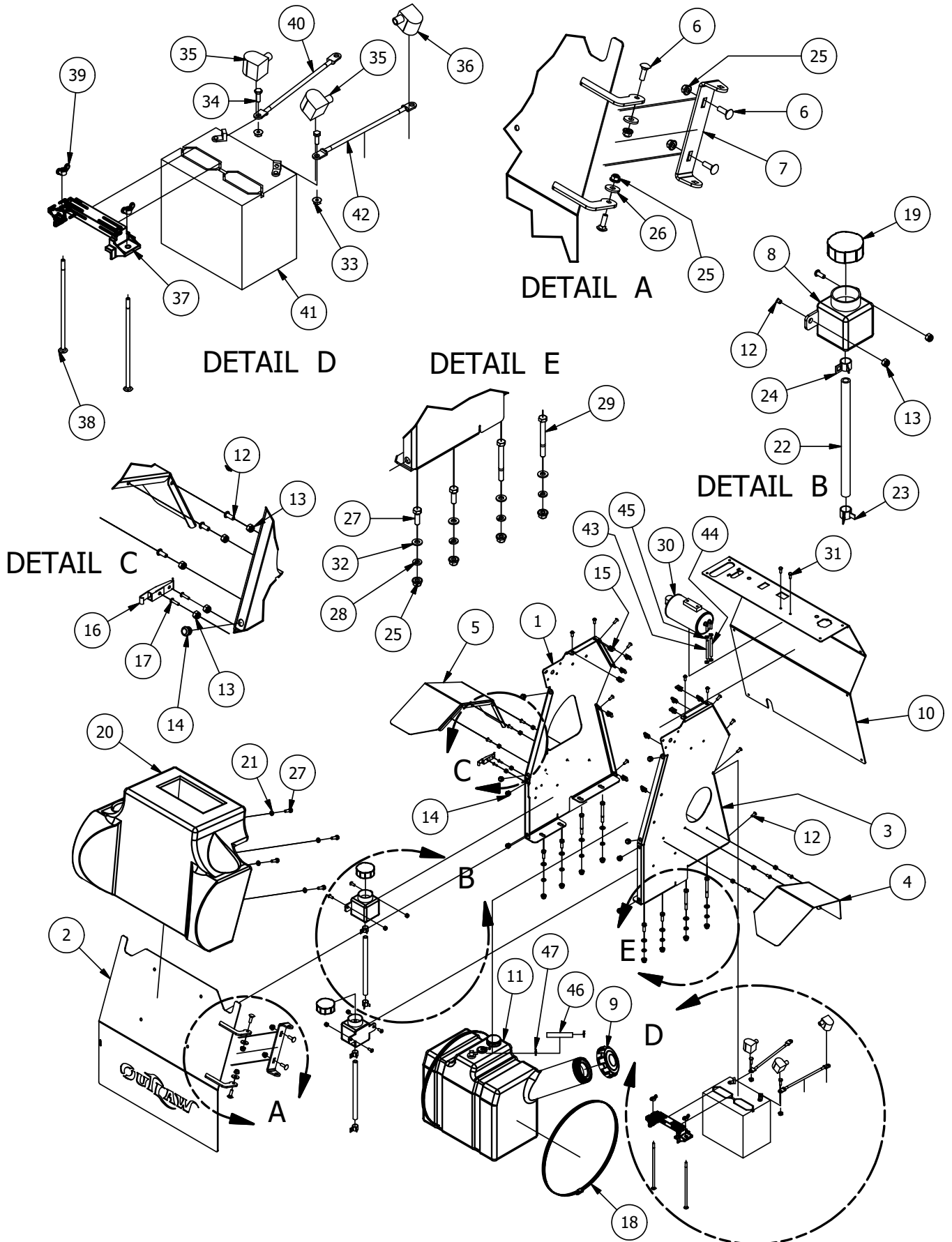


DETAIL B



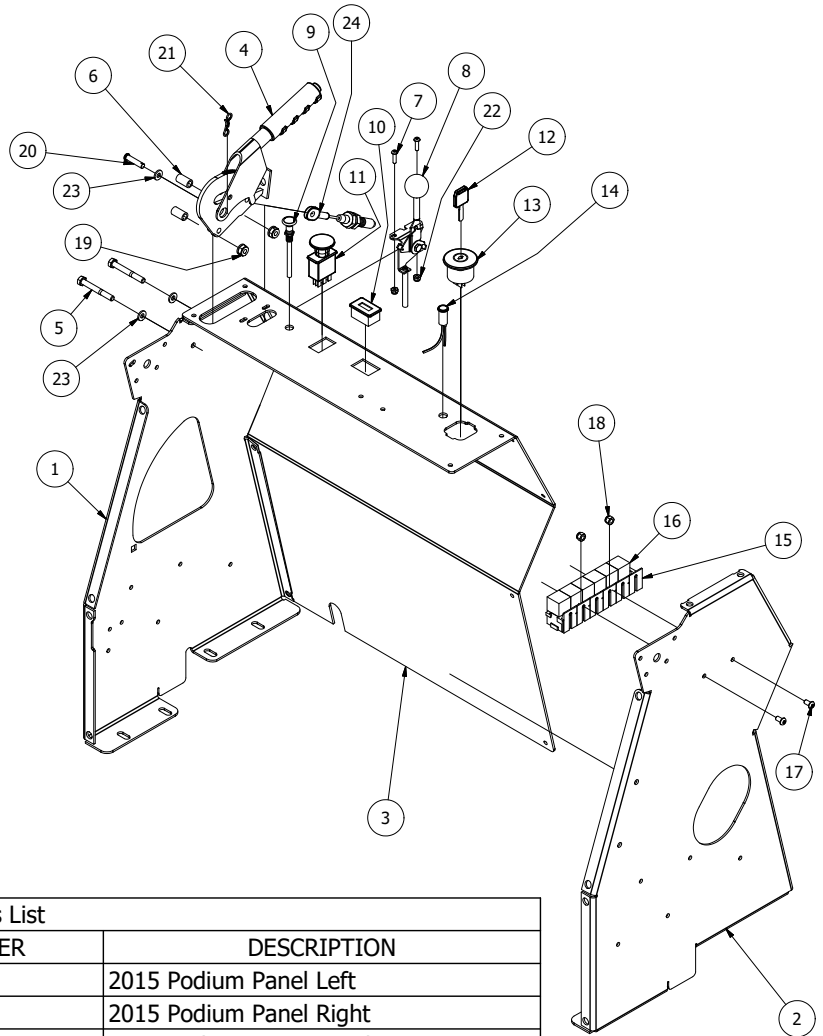
Parts List

ITEM	QTY	PART NUMBER	DESCRIPTION
1	1	070-5220-00	2015 Stand-On Frame
2	1	070-9048-00	48" Front End (2015 Stand-On)
3	5	018-5043-00	3/8" x 1 1/4" Carriage Bolt
4	12	013-5041-00	3/8 Nylock Nut
5	4	024-6034-00	1/4" Press in Grease Fitting
6	2	017-9000-00	Two Piece Pillow Block (Male)
7	2	017-9050-00	Two Piece Pillow Block (Female)
8	2	017-9025-00	Two Piece Pillow Block Strap
9	4	018-5019-00	1/2" x 4" Bolt (Grade 8)
10	7	013-8050-00	1/2-13 Nylon Flange Nut
11	1	087-5400-00	200 lb Gas Spring- 48" Deck
12	2	018-2050-00	10mm Damper Ball Stud-Steering
13	2	013-9002-00	5/16" Flange Nut
14	1	028-5000-00	Stand On Flat Linkage Bar
15	4	018-3001-00	5/8" x 5/8" Shoulder Bolt
16	4	019-5038-00	5/8" Flat Washer
17	4	032-5052-00	Bronze Bushing - SF - 2024-8
18	3	018-4010-00	1/2" Nylock Nut (1/2 Jam)
19	1	026-5050-00	2015 Stand-On Adjustment Plate (Bolt On)
20	1	031-0090-00	2015 Stand-On Deck Lever Lock
21	1	040-4075-00	Pin And Lanyard
22	4	018-0009-00	3/8 x 1 3/4 Carriage Bolt
23	3	025-2004-00	ACS Spacer 3/4x3/8x1/2
24	9	013-5202-00	3/8" Nylock Flange Nut
25	1	026-5030-00	2016 Stand-On Platform
26	1	039-5949-00	Stand-On Pump Idler Bracket
27	1	018-6036-00	1/2" x 2 3/4" Hex Bolt
28	1	033-6001-00	4 3/4" Idler Pulley
29	1	025-7036-00	1/2 x 1/2 Spacer
30	1	018-5311-00	5/8" x 4" Hex Bolt
31	2	019-6017-00	.630 ID Plastic Washer
32	1	013-5301-00	5/8" Nylock (1/2 Jam)
33	1	034-2009-00	2009 Deck/Pump Idler Spring
34	1	018-2004-00	All Thread-Pump Idler Tensioner
35	2	013-7018-00	1/2" Hex Nut
36	2	032-6033-00	Idler Retainer bushing
37	2	018-2020-00	5/16-18 1/2 HWH Bolt-Steering
38	1	069-4010-00	rubber grip
39	1	031-7145-00	Stand-On Deck Lift Lever
40	1	031-7155-00	Stand-On Deck Lift Handle
41	8	018-5045-00	3/8"-16 x 1 1/4" Carriage Bolt
42	1	031-7160-00	Deck Lift Lever Assembly uses parts: 37, 38, 39, & 40
43	1	087-6100-00	250 lb Gas Spring- 54" Deck
44	1	087-7200-00	300 lb Gas Spring- 61" Deck
45	2	018-2049-00	13 mm Damper Ball Stud
46	1	070-9054-00	54" Front End (2015 Stand-On)
47	1	070-9061-00	61" Front End (2015 Stand-On)
48	1	070-9036-00	36" Front End (2016 Stand-On)
49	1	201-1120-00	Stand-On Platform Support
50	2	032-4050-00	Rubber Isolator
51	1	018-4703-00	5/16" x 1 1/4" Carriage Bolt
52	1	013-9005-00	5/16-18 Nylock Jam Nut 1/2 Nut
53	1	052-1000-00	Latch-Stand On
54	2	019-4008-00	1/4" Lock Washer
55	2	018-8052-00	1/4" x 3/4" Hex Bolt
56	4	018-6049-00	3/8" x 1" Hex Bolt
57	1	019-5007-00	1/2" Lock Washer
58	5	019-2003-00	.390 x .750 x .062 Nylon Washer
59	1	024-3050-00	1/4" Press in Grease Fitting

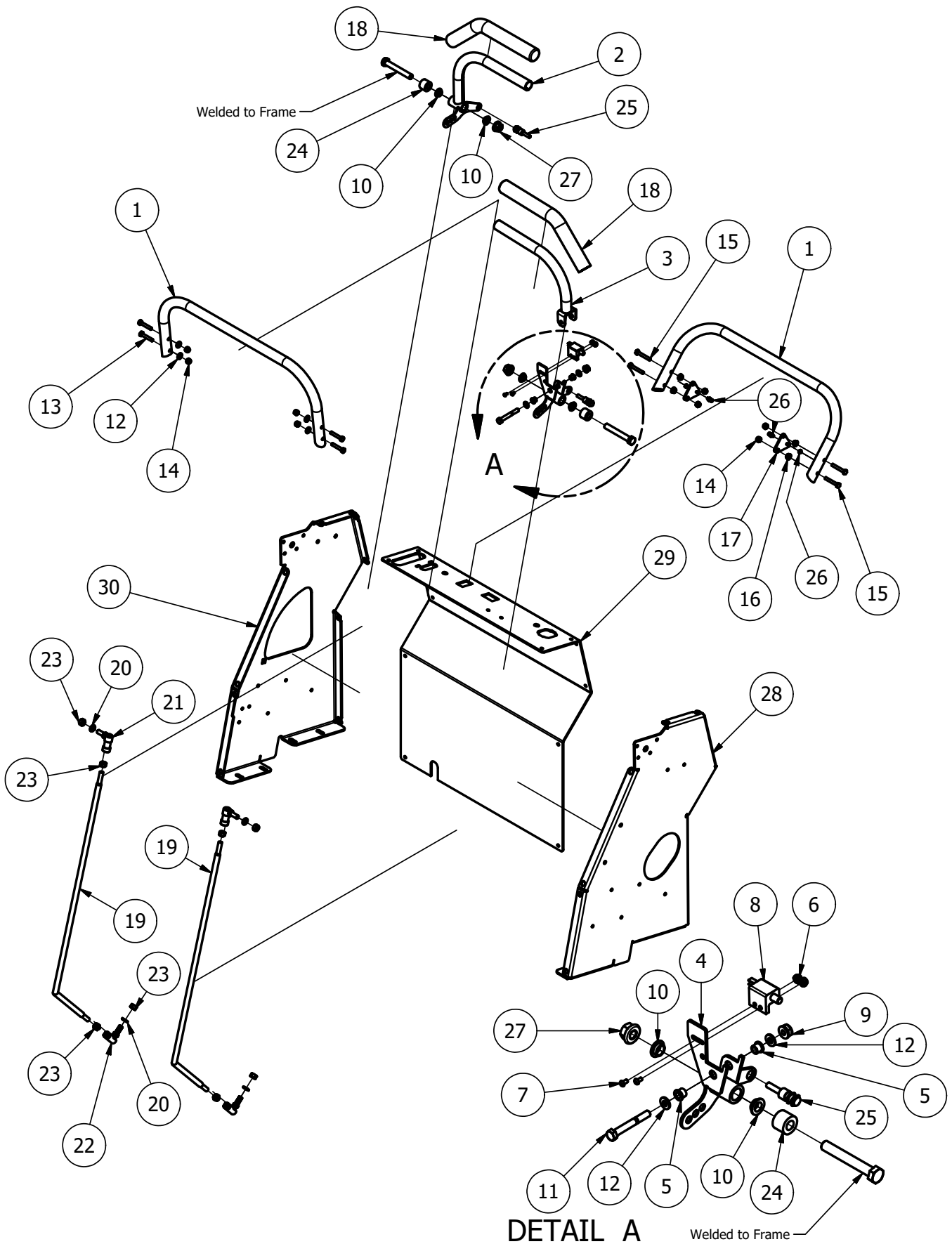


Parts List

ITEM	QTY	PART NUMBER	DESCRIPTION
1	1	079-4110-00	2015 Podium Panel Left
2	1	079-4050-00	Door Panel Assembly
3	1	079-4105-00	2015 Podium Panel Right
4	1	074-0050-00	Fender (Right Side)
5	1	074-0060-00	Fender (Left Side)
6	4	018-8065-00	5/16" x 1" Carriage Bolt
7	1	039-0070-00	Back Cover Hinge Bracket
8	2	067-8090-00	350ml Expansion Tank
9	1	066-8076-00	Fuel Cap
10	1	079-4100-00	2015 Podium Front Panel
11	1	067-0030-00	Fuel Tank
12	22	018-8064-00	1/4" x 5/8" BS C/S 18-8 SS
13	12	013-8073-00	1/4" Nylock Nut
14	8	014-3010-00	5/8 Round Insert
15	12	013-0054-00	1/4-20 Cage Nut
16	1	052-3000-00	Steel Pump Cover Latch
17	2	018-5200-00	10-24 X 5/8 BS Button Head Bolt
18	2	072-0050-00	Fuel Tank Clamp-Stand On
19	2	066-5050-00	Hydraulic Tank Cap
20	1	071-5075-00	Cushion-2015 Stand On Mower
21	4	019-7040-00	1/4" Flat Washer
22	2	051-8063-00	3/8" Clear Hose
23	2	072-8066-00	1/2 Hose Clamp
24	2	072-8065-00	3/8" Hose Clamp
25	12	013-8049-00	5/16" Nylock Flange Nut Zinc
26	2	019-6042-00	.360 ID Plastic Washer
27	8	018-2007-00	5/16" x 1" Bolt
28	8	019-8051-00	5/16" Lock Washer
29	4	018-4701-00	5/16" x 3" Hex Bolt
30	1	067-0020-00	Carbon Canister
31	2	018-0024-00	M6-1.0 X 16MM Hex Bolt
32	8	019-8044-00	5/16" Flat Washer
33	2	013-9001-00	1/4-20 Hex Flange Nuts Zinc w/Serrations
34	2	018-8052-00	1/4-20 x 3/4 GR 5 Hex Bolts Zinc
35	2	103-5400-00	Black Boot For Ground Cable
36	1	103-5300-00	Red Boot
37	1	043-8929-00	Battery Hold Down
38	2	018-8050-00	1/4-20 X 8 Carriage Bolt
39	2	013-8051-00	1/4" Wing Nut
40	1	064-0030-00	Ground Cable
41	1	068-8049-00	Battery
42	1	064-5300-00	24" Red Battery Cable
43	1	051-8072-00	1/4" Vinyl Tubing
44	1	051-8073-00	3/16 Vinyl Tubing
45	4	072-8070-00	3/16 Vinyl Clamp
46	1	051-8067-00	1/4 Fuel Line
47	2	072-8069-00	1/4 Fuel Hose Clamp



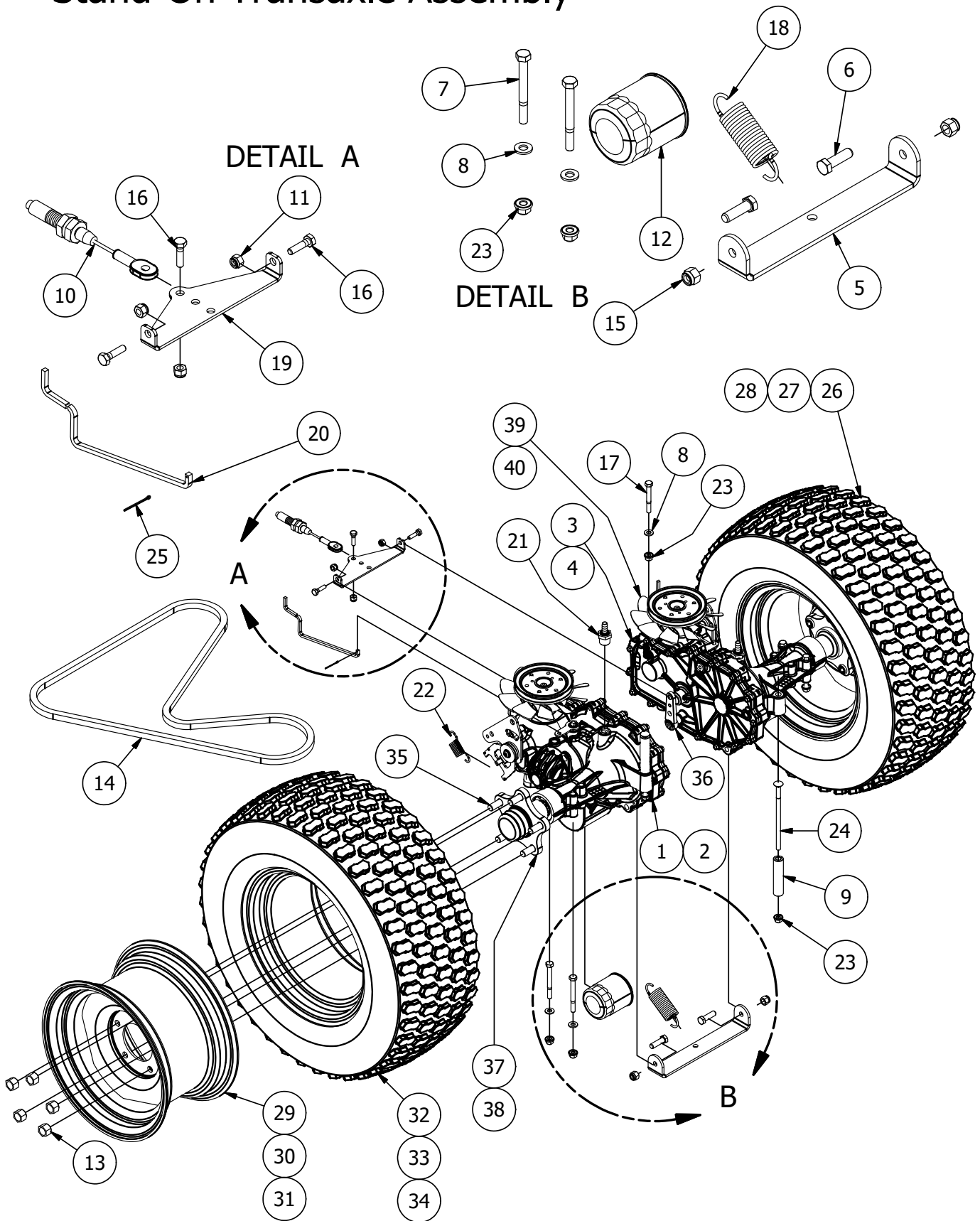
Parts List			
ITEM	QTY	PART NUMBER	DESCRIPTION
1	1	079-4110-00	2015 Podium Panel Left
2	1	079-4105-00	2015 Podium Panel Right
3	1	079-4100-00	2015 Podium Front Panel
4	1	069-2012-00	Brake Handle- Stand On
5	2	018-5344-00	5/16" x 2 1/2" Bolt
6	2	025-0011-00	Brake/Latch Spacer-Stand On
7	2	018-8058-00	10-24 x 1 BS C/S 18-8 SS
8	1	055-8021-00	Throttle-All Outlaws
9	1	054-8017-00	Choke
10	1	083-4013-00	Tachometer
11	1	056-8058-00	PTO Engager
12	1	042-9000-00	Ignition Key
13	1	077-8076-00	Ignition Switch
14	1	089-1000-00	Oil Light
15	1	086-0090-00	Wiring Harness - 2015 Stand On
16	6	086-1201-00	Relay Terminal
17	2	018-2012-00	1/4" x 1/2" BS C/S 18-8 SS
18	2	013-8073-00	1/4" Nylock Nut
19	2	013-8049-00	5/16-18 Nylon Flange Nut
20	1	040-7000-00	PIN .312 PIN
21	1	044-2004-00	Bow Pin
22	2	013-5019-00	#10 Nylock Nut
23	3	019-7040-00	1/4" Flat Washer
24	1	064-3000-00	Brake Cable





Parts List			
ITEM	QTY	PART NUMBER	DESCRIPTION
1	2	031-7120-00	Support Handle Stand Up (Front & Back)
2	1	031-7130-00	Left Steering Handle Assembly
3	1	031-7140-00	Right Steering Handle Assembly
4	1	039-0210-00	Safety Kill Switch Assembly Bracket
5	2	032-5002-00	Stand On Flange Bushing-Steering Arms
6	2	013-5019-00	#10 Nylock Nut
7	2	018-5200-00	1024 X 5/8" Buttonhead Bolt
8	1	077-8073-00	Safety Switch
9	1	013-8049-00	5/16-18 Nylon Flange Nut
10	4	032-5055-00	Bushing for 2012 Drive Arms
11	1	018-5344-00	5/16" x 2 1/2" Bolt
12	6	019-7040-00	1/4" Flat Washer
13	4	018-5005-00	1/4-20 x 1 1/2" Bolt
14	8	013-8073-00	1/4" Nylock Nut
15	4	018-0018-00	1/4-20x 1-3/4" Hex Bolt
16	4	013-9001-00	1/4-20 Hex Flange Nuts Zinc w/Serrations
17	2	039-0203-00	Neutral Safety Tab
18	2	069-4010-00	Black Steering Grip
19	2	035-1000-00	Push Rod Stand On
20	4	019-5037-00	3/8" Lock Washer
21	2	099-2009-00	3/8-24 Quick Release Ball Joint
22	2	099-6046-00	3/8-24 Ball Joint
23	8	013-6051-00	3/8" Fine Threaded Jam Nut
24	2	025-0012-00	Steering Arm Spacer- Stand On
25	2	086-0015-00	Safety Switch Harness
26	2	077-1000-00	Magnet-Steering Arm-Stand On
27	2	013-0010-00	1/2-13 Mechanical Lock Nut Grade F
28	1	079-4105-00	2015 Podium Panel Right
29	1	079-4100-00	2015 Podium Front Panel
30	1	079-4110-00	2015 Podium Panel Left

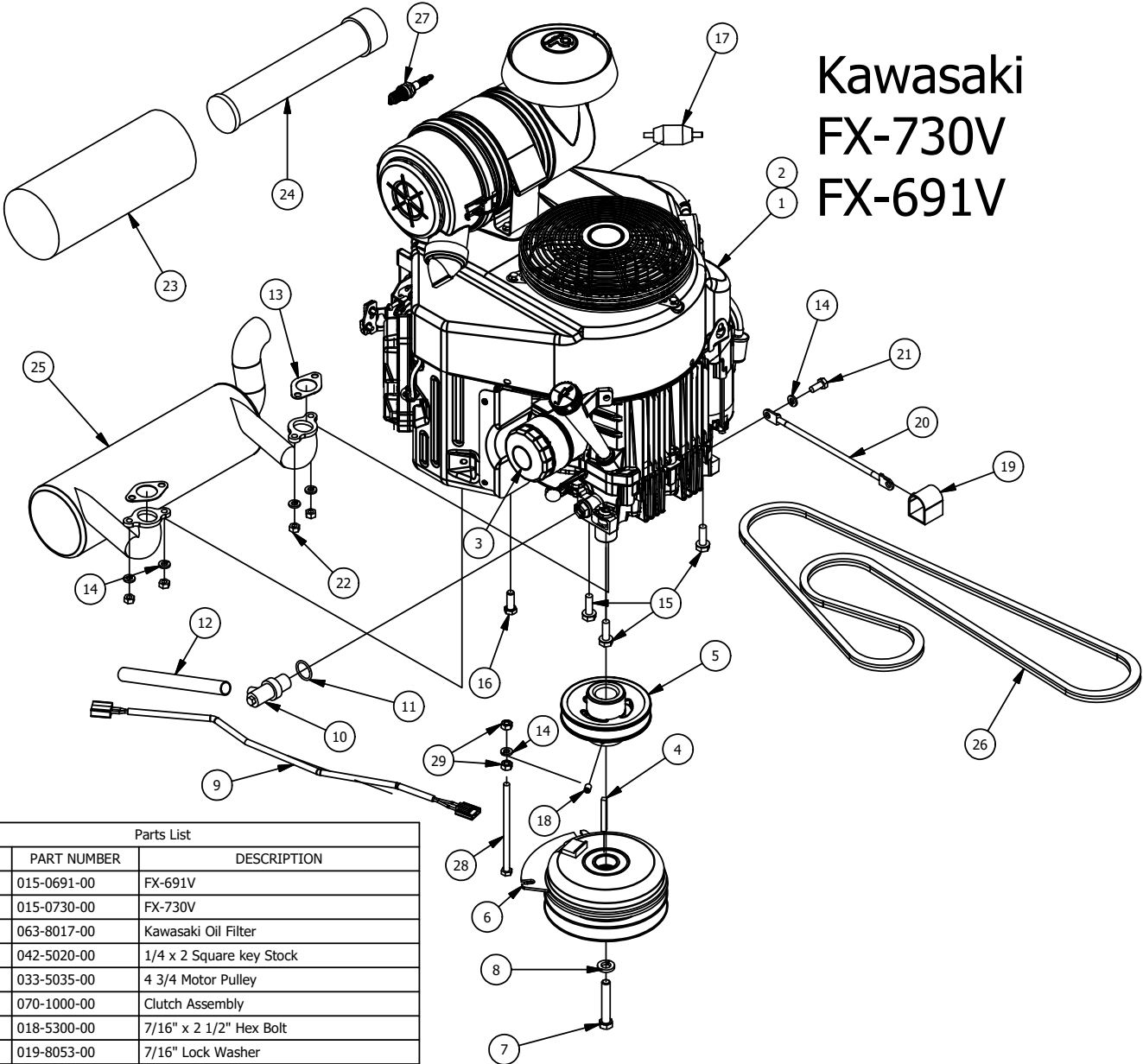
Stand-On Transaxle Assembly





Parts List			
ITEM	QTY	PART NUMBER	DESCRIPTION
1	1	050-6000-00	Left 3400 Transaxle
2	1	050-2081-00	Left 3100 Transaxle (36" Stand-On only)
3	1	050-6001-00	Right 3400 Transaxle
4	1	050-2080-00	RIght 3100 Transaxle (36" Stand-On only)
5	1	028-4802-00	Crossover Bar for ZT 2016
6	2	018-3000-00	3/8" x2" Hex Bolt
7	4	018-4701-00	5/16" x 3" Hex Bolt
8	6	019-8044-00	5/16" Flat Washer
9	2	025-5340-00	3 1/4" Spacer
10	1	064-3000-00	Brake Cable
11	3	013-8073-00	1/4" Nylock Nut
12	2	063-1050-00	Transaxle Hydro Filter
13	10	013-3000-00	Acorn Lug Nut (8 for 36" Stand-On)
14	1	041-6400-00	Pump Belt
15	2	013-5041-00	3/8 Nylock Nut
16	3	018-4007-00	1/4-20 x 1 GR 5 hex bolt zinc
17	2	018-5344-00	5/16" x 2 1/2" Bolt
18	1	034-9000-00	ZT spring
19	1	039-0212-00	Brake Bracket
20	2	028-0060-00	MZ Brake Release Bar
21	2	024-1200-00	45 degree fitting
22	2	034-1050-00	Spring for Stand On Models
23	8	013-8049-00	5/16" Nylon Flange Nut
24	2	018-0056-00	5/16" x 6" Carriage Bolt
25	2	040-2025-00	Cotter Pin-Brake bar on Mz
26	2	022-5460-00	23 x 10.50 -12 Tire and Wheel Assembly (54" and 61" Stand-On)
27	1	022-3000-00	23 x 8.50 - 12 Tire and Wheel Assembly (48" Stand-On Only)
28	2	022-8020-00	21 x 7 - 10 Tire and Wheel Assembly (36" Stand-On Only)
29	2	022-7061-00	12 x 10.5 Wheel (54" and 61" Stand-On)
30	1	022-3026-00	12 x7 Wheel (48" Stand-On Only)
31	2	022-8022-00	10" Wheel (36" Stand-On Only)
32	2	022-5351-00	23 x 10.50 -12 Tire (54" and 61" Stand-On Only)
33	1	022-3025-00	23 x 8.50 - 12 Tire (48" Stand-On Only)
34	2	022-8021-00	21x7-10 Tire (36" Stand-On only)
35	10	050-2012-00	Transaxle Wheel Studs (8 for 36 Stand-On)
36	2	092-8000-00	Transaxle Brake Lever
37	2	050-2077-00	Transaxle Hub
38	2	050-2076-00	Transaxle Hub (36" Stand-On only)
39	2	050-2072-00	Fan/Pully Kit
40	2	050-2075-00	Fan/Pully Kit (36" Stand-On only)

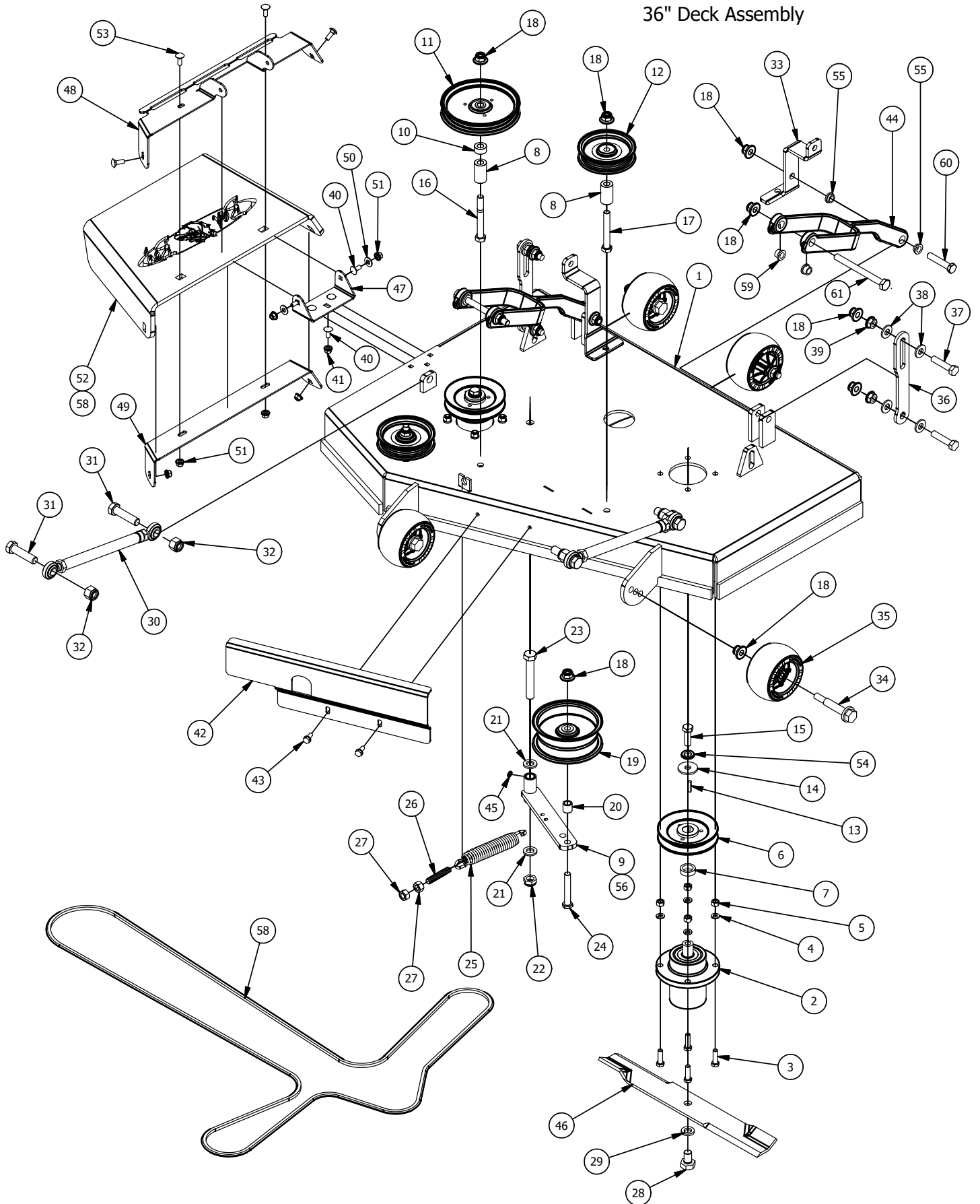
Kawasaki FX-730V FX-691V



Parts List			
ITEM	QTY	PART NUMBER	DESCRIPTION
1	1	015-0691-00	FX-691V
2	1	015-0730-00	FX-730V
3	1	063-8017-00	Kawasaki Oil Filter
4	1	042-5020-00	1/4 x 2 Square key Stock
5	1	033-5035-00	4 3/4 Motor Pulley
6	1	070-1000-00	Clutch Assembly
7	1	018-5300-00	7/16" x 2 1/2" Hex Bolt
8	1	019-8053-00	7/16" Lock Washer
9	1	070-2000-00	Clutch Pigtail
10	1	015-5404-00	oil drain
11	1	015-5403-00	O-Ring
12	1	051-8064-00	1/2 Clear Braided Hose Priced/Foot
13	2	015-2709-00	Exhaust Gasket
14	6	019-8051-00	5/16" Lock Washer
15	3	018-1075-00	3/8 x 1 1/8 bolt
16	1	018-6049-00	3/8" x 1" Hex Bolt
17	1	063-6000-00	Universal Inline Fuel Filter
18	1	030-0050-00	5/16 Set Screw
19	1	103-5400-00	Black Boot For Ground Cable
20	1	064-0030-00	Ground Cable
21	1	018-5321-00	M8x1.20x20MM Hex head bolt
22	4	013-0075-00	M8-1.25 Zinc Nut
23	1	063-8019-00	Canister Air Filter- Outer
24	1	063-8020-00	Canister Air Filter- Inner
25	1	015-0066-00	Exhaust- 2015 Stand On
26	1	041-6400-00	Pump Belt
27	2	015-8001-00	Spark Plug - Kawasaki
28	1	018-5350-00	5/16-18 x 5-1/2 GR 5 Hex Bolt
29	2	013-8043-00	5/16" Nut



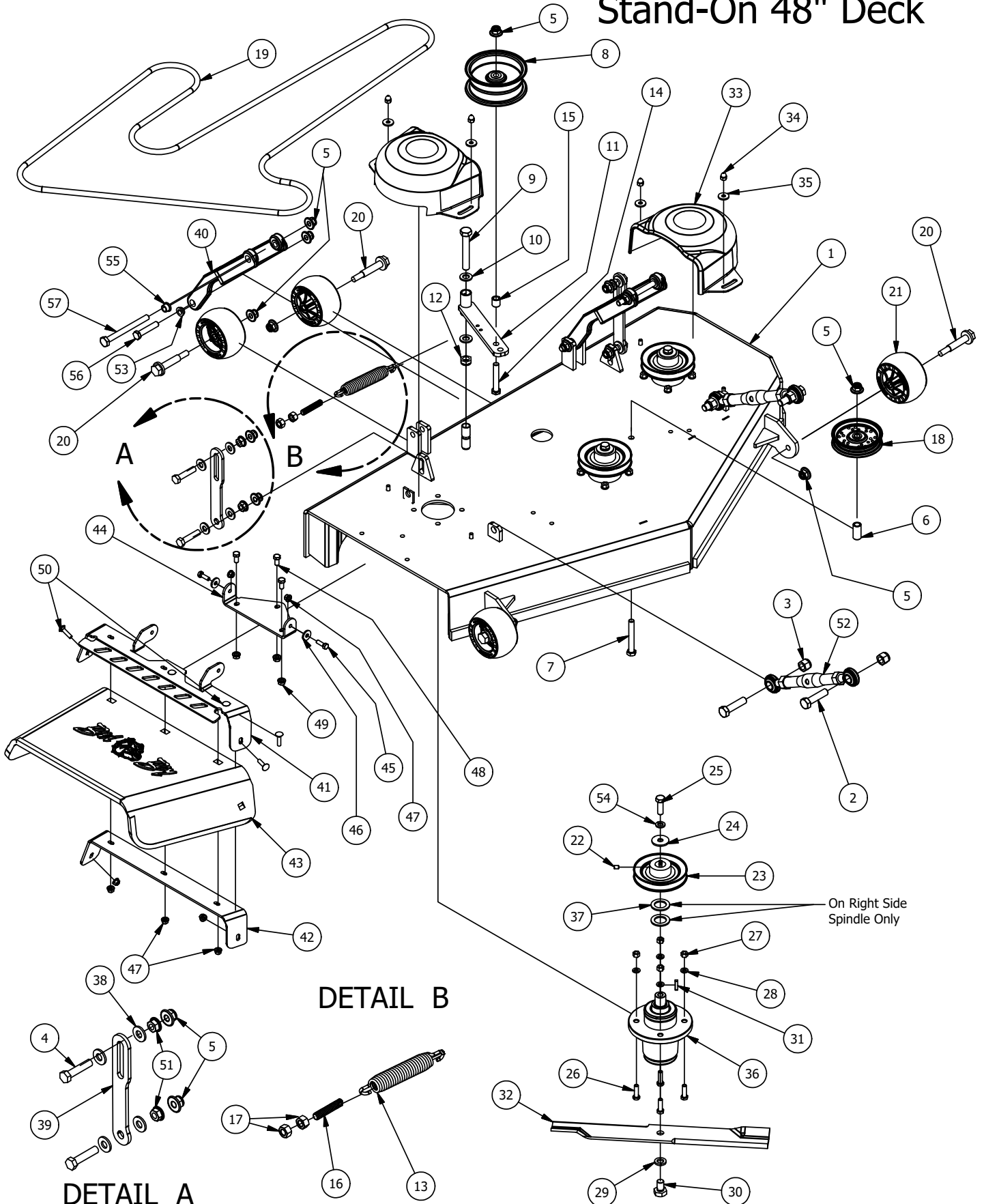
36" Deck Assembly



Parts List			
ITEM	QTY	PART NUMBER	DESCRIPTION
1	1	060-1136-00	36 Stand On Deck
2	2	037-2000-00	Spindle Assembly
3	8	018-5040-00	3/8" x 1 1/4" Hex Bolt
4	8	019-5037-00	3/8" Lock Washer
5	8	013-6014-00	3/8" Hex Nut
6	2	033-4820-00	Deck Pulley
7	2	025-0060-00	36 Deck Spindle Spacer
8	3	025-5339-00	1 3/4" Pulley Spacer
9	1	039-6945-00	Deck Idler
10	1	025-7036-00	1/2 Solid Shaft Collar (W/1 Set Screw) Zinc
11	1	033-7201-00	5-3/4 Idler Pulley-Don Dye
12	2	033-7026-00	5 V Idler Pulley 1/2" Bore
13	2	042-0010-00	3/16 x 1 Square Key
14	2	019-6020-00	1/2 Belleville Washer
15	2	018-6019-00	1/2"-20 x 1 1/2 - Grade 5 Fine Thread Bolt
16	1	018-5019-00	1/2" x 4" Bolt (Grade 8)
17	2	018-2018-00	1/2 x 3 1/2 Flange Bolt Grade 8
18	16	013-8050-00	1/2-13 Nylon Flange Nut
19	1	033-5000-00	5 3/4" Deck Idler Pulley
20	1	025-5203-00	Spacer 3/4 OD x 1/2 ID x 3/4 Length
21	2	019-6017-00	.630 ID X 1.122 OD X .142 THK Flat Washer Nylon
22	1	013-5301-00	5/8" Nylock (1/2 Jam)
23	1	018-5311-00	5/8" x 4" Hex Bolt
24	1	018-7016-00	1/2-13 x GR 5 Hex Bolt Zinc
25	1	034-2009-00	2009 Deck/Pump Idler Spring
26	1	018-2004-00	All Thread-Pump Idler Tensioner
27	2	013-7018-00	1/2" Hex Nut
28	2	018-6020-00	5/8" x 1 1/2" Grade 8 Hex Bolt (Fine)
29	2	019-4807-00	5/8" Lock Washer
30	2	048-6060-00	Turnbuckle (Top Link)
31	4	018-6059-00	5/8" x 2 1/2" Grade 5 Hex Bolt (Coarse)
32	4	013-7021-00	5/8 Std NC Nylock Nut
33	2	039-2009-00	Stand-On Deck Stop
34	4	018-0010-00	Deck Wheel Bolt
35	4	022-1000-00	Anti-Scalp Rollers
36	2	039-0235-00	Longer deck hanger
37	4	018-6037-00	1/2-13X 2-1/4 GR Hex Bolts
38	8	019-8054-00	.505 Nylon Spacer
39	4	013-5300-00	1/2" Flange Nut
40	5	018-8062-00	5/16-18 X 3/4 Carriage Bolt
41	3	013-8049-00	5/16" Nylock Flange Nut
42	1	014-4836-00	36 Stand-On Deck Shield
43	2	030-7042-00	5/16 x 3/4 washer head type F screw
44	2	031-6020-00	Deck Arm Assembly
45	1	024-6034-00	1/4" Press in Grease Fitting
46	2	038-0001-00	54" Deck Fusion Blade For Outlaw
47	1	206-6020-00	Chute Hanger 48 MZ
48	1	039-4891-00	Discharge Chute Bracket (Upper)
49	1	039-4890-00	Discharge Chute Bracket (Lower)
50	2	019-6042-00	.360 ID Plastic Washer
51	6	013-9002-00	5/16" Flange Nut
52	1	210-6015-00	Rubber Discharge Chute
53	4	018-8066-00	5/16" x 7/8" Carriage Bolt
54	2	019-5007-00	1/2" Lock Washer Zinc
55	4	032-5057-00	Flange Bushing For Lower Deck Arm
56	1	039-6945-05	Idler Arm Assembly
57	1	210-6015-98	Chute Assembly
58	1	041-5200-00	36 inch Deck Belt -B111
59	4	032-5056-00	Flange Bushing For Upper Deck Arm
60	2	018-0015-00	1/2" x 3" Hex Bolt
61	2	018-1090-00	1/2" x 5 1/2" Bolt



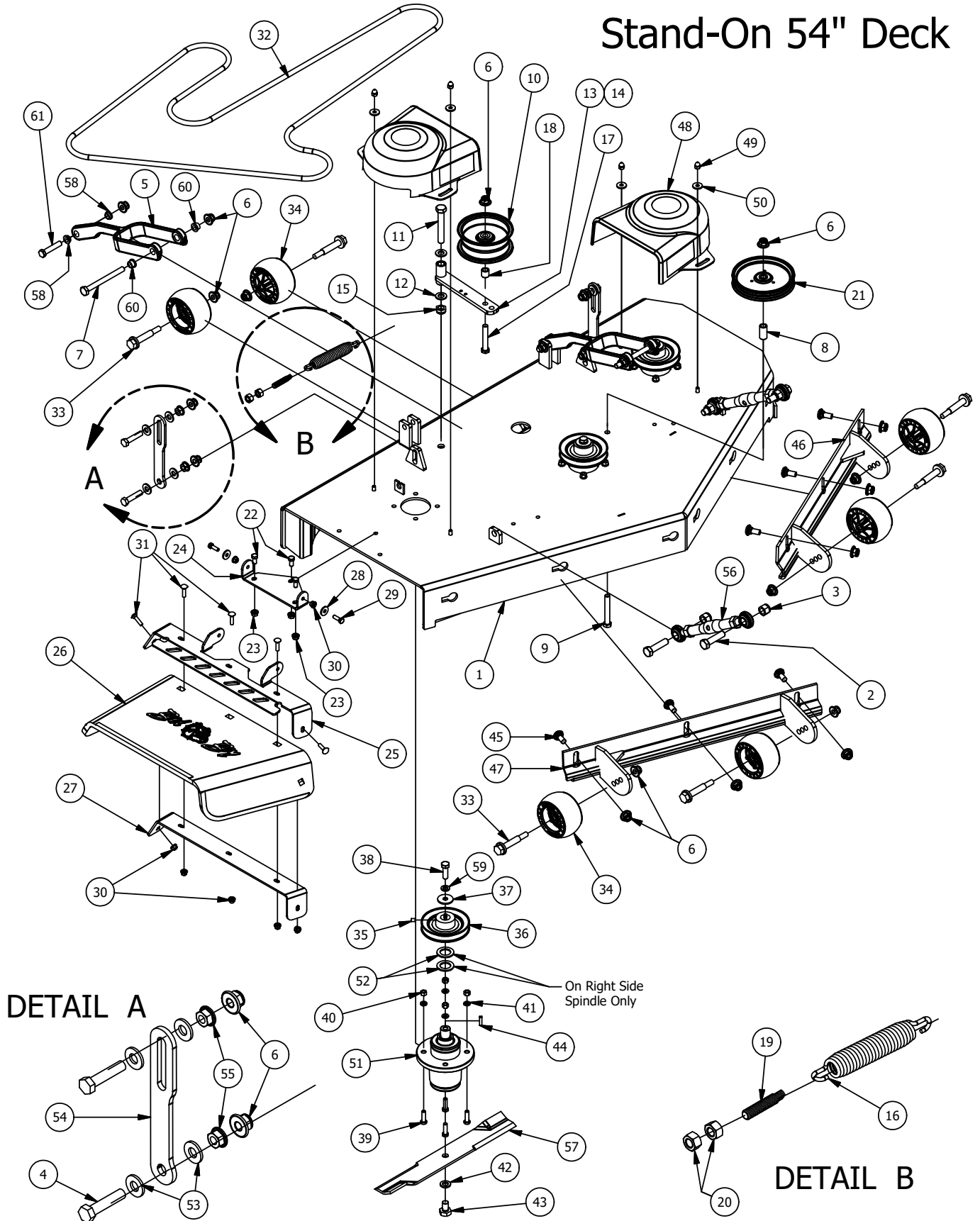
Stand-On 48" Deck



Parts List			
ITEM	QTY	PART NUMBER	DESCRIPTION
1	1	060-1148-00	48" 2015 Stand-On Deck (Welded Assembly)
2	4	018-6059-00	5/8" x 2 1/2" Hex Bolt
3	4	013-7021-00	5/8 Std NC Nylock Nut
4	4	018-6037-00	1/2-13X 2-1/4 GR Hex Bolts
5	14	013-8050-00	1/2-13 Nylon Flange Nut
6	1	025-5338-00	.502 ID X .750 OD X 1.500 Long Spacer
7	1	018-2018-00	1/2 x 3 1/2 Flange Bolt Grade 8
8	1	033-5000-00	5 3/4" Deck Idler Pulley
9	1	018-5311-00	5/8" x 4" Hex Bolt
10	2	019-6017-00	.630 ID Plastic Washer
11	1	039-6945-00	Deck Idler 2009 AOS
12	1	013-5301-00	5/8" Nylock (1/2 Jam)
13	1	034-2009-00	2009 Deck/Pump Idler Spring
14	1	018-7016-00	1/2-13 x GR 5 Hex Bolt Zinc
15	1	025-5203-00	Spacer 3/4 OD x 1/2 ID x 3 1/4 Length
16	1	018-2004-00	All Thread-Pump Idler Tensioner
17	2	013-7018-00	1/2" Hex Nut
18	1	033-6001-00	4-3/4 Idler Pulley
19	1	041-5200-00	B111 Belt 48" Stand-On
20	4	018-0010-00	Deck Wheel Bolt
21	4	022-1000-00	Anti-Scalp Rollers
22	3	030-0050-00	5/16 Set Screw
23	3	033-6003-00	5" Spindle Deck Pulley
24	3	019-6020-00	1/2 Belleville Washer
25	3	018-6019-00	1/2"-20 x 1 1/2 - Grade 5 Fine Thread Bolt
26	12	018-5040-00	3/8" x 1 1/4" Hex Bolt
27	12	013-6014-00	3/8-16 Hex Nuts Zinc
28	12	019-5037-00	3/8" Lock Washer
29	3	019-4807-00	5/8" Lock Washer
30	3	018-6020-00	5/8" x 1 1/2" Grade 8 Hex Bolt (Fine)
31	3	042-6030-00	1/4" x 1" Key
32	3	038-5350-00	Fusion Blade
33	2	014-4000-00	Pulley Cover
34	4	013-0004-00	Acorn nut-pulley Cover
35	4	019-6050-00	.360 ID Plastic Washer-Black
36	3	037-4000-50	OUTLAW SPINDLE ASSEMBLY
37	2	019-6029-00	1 1/8" Flat Spacer
38	8	019-8054-00	.505 Nylon Spacer
39	2	039-0235-00	Longer deck hanger
40	2	031-6020-00	Deck Arm Assembly
41	1	039-4870-00	Discharge Upper Chute Bracket
42	1	039-4871-00	Discharge Lower Chute Bracket
43	1	210-6005-00	Rubber Discharge Chute
44	1	206-6017-00	Discharge Chute Hanger (Deck Mounted)
45	2	018-2007-00	5/16" x 1" Bolt
46	2	019-6042-00	.360 ID Plastic Washer
47	7	013-8049-00	5/16" Nylon Flange Nut
48	3	018-5250-00	3/8" x 3/4" Hex Bolt
49	3	013-5201-00	3/8" Flange Nut
50	5	018-4703-00	5/16" x 1 1/4" Carriage Bolt
51	4	013-5300-00	1/2" Flange Nut
52	2	048-6057-00	Turnbuckle
53	4	032-5057-00	Flange Bushing For Lower Deck Arm
54	3	019-5007-00	1/2" Lock Washer
55	4	032-5056-00	Flange Bushing For Upper Deck Arm
56	2	018-0015-00	1/2" x 3" Hex Bolt
57	2	018-1090-00	1/2" x 5 1/2" Bolt



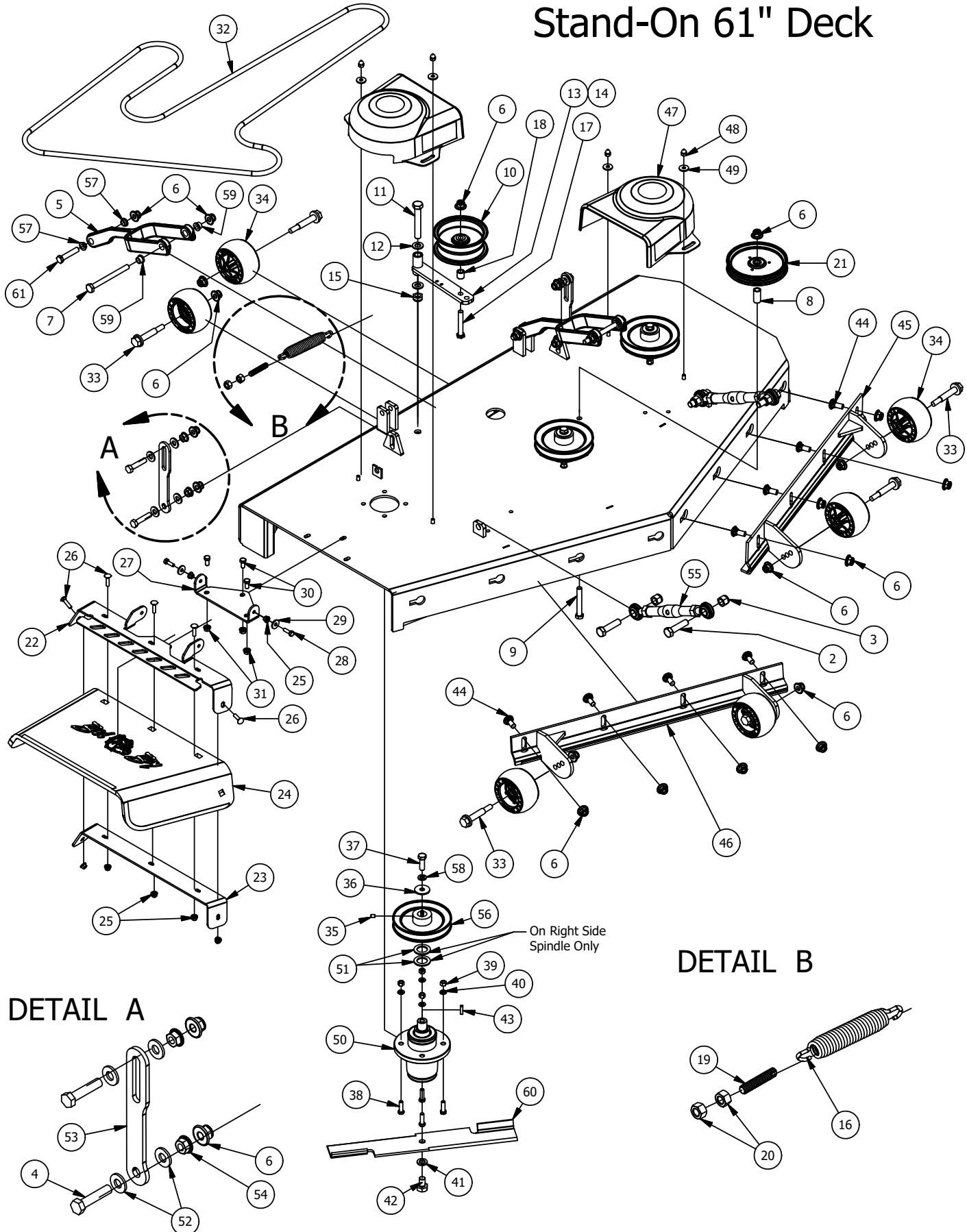
Stand-On 54" Deck



Parts List			
ITEM	QTY	PART NUMBER	DESCRIPTION
1	1	060-1154-00	54" 2015 Stand-On Deck (Welded Assembly)
2	4	018-6059-00	5/8" x 2 1/2" Hex Bolt
3	4	013-7021-00	5/8 Std NC Nylock Nut
4	4	018-6037-00	1/2-13X 2-1/4 GR Hex Bolts
5	2	031-6020-00	Deck Arm Assembly
6	22	013-8050-00	1/2-13 Nylon Flange Nut
7	2	018-1090-00	1/2" x 5 1/2" Bolt
8	1	025-5338-00	.502 ID X .750 OD X 1.500 Long Spacer
9	1	018-2018-00	1/2 x 3 1/2 Flange Bolt Grade 8
10	1	033-5000-00	5 3/4" Deck Idler Pulley
11	1	018-5311-00	5/8" x 4" Hex Bolt
12	2	019-6017-00	.630 ID Plastic Washer
13	1	039-6945-00	Deck Idler
14	1	039-6945-98	Deck Idler Arm Assembly
15	1	013-5301-00	5/8" Nylock (1/2 Jam)
16	1	034-2009-00	2009 Deck/Pump Idler Spring
17	1	018-7016-00	1/2-13 x GR 5 Hex Bolt Zinc
18	1	025-5203-00	Spacer 3/4 OD x 1/2 ID x 3 1/4 Length
19	1	018-2004-00	All Thread-Pump Idler Tensioner
20	2	013-7018-00	1/2" Hex Nut
21	1	033-7201-00	5-3/4 Idler Pulley-Don Dye
22	3	018-5250-00	3/8" x 3/4" Hex Bolt
23	3	013-5201-00	3/8" Flange Nut
24	1	206-6017-00	Discharge Chute Hanger (deck mounted)
25	1	039-4864-00	60" Discharge Chute Upper Hanger
26	1	210-6005-00	Rubber Discharge Chute
27	1	039-4863-00	60" Discharge Lower Bracket
28	2	019-6042-00	.360 ID Plastic Washer
29	2	018-2007-00	5/16" x 1" Bolt
30	7	013-8049-00	5/16" Nylock Flange Nut Zinc
31	5	018-4703-00	5/16" x 1 1/4" Carriage Bolt
32	1	041-0120-00	42" Deck Belt - B120
33	6	018-0010-00	Deck Wheel Bolt
34	6	022-1000-00	Anti-Scalp Rollers
35	3	030-0050-00	5/16 Set Screw
36	3	033-6003-00	5" Spindle Deck Pulley
37	3	019-6020-00	1/2 Belleville Washer
38	3	018-6019-00	1/2"-20 x 1 1/2 - Grade 5 Fine Thread Bolt
39	12	018-5040-00	3/8" x 1 1/4" Hex Bolt
40	12	013-6014-00	3/8-16 Hex Nuts Zinc
41	12	019-5037-00	3/8" Lock Washer
42	3	019-4807-00	5/8" Lock Washer
43	3	018-6020-00	5/8" x 1 1/2" Grade 8 Hex Bolt (Fine)
44	3	042-6030-00	1/4" x 1" Key
45	6	018-3003-00	1/2" x 1 1/4 Carriage Bolt
46	1	060-5520-00	54 Deck Adustable Front (Left)
47	1	060-5530-00	54 Deck Adustable Front (Right)
48	2	014-5000-00	Pulley Cover
49	4	013-0004-00	Acorn nut-pulley Cover
50	4	019-6050-00	.360 ID Plastic Washer-Black
51	3	037-4000-50	OUTLAW SPINDLE ASSEMBLY
52	2	019-6029-00	1 1/8" Flat Spacer
53	8	019-8054-00	.505 Nylon Spacer
54	2	039-0235-00	Longer deck hanger
55	4	013-5300-00	1/2" Flange Nut
56	2	048-6057-00	Turnbuckle
57	3	038-0001-00	54" Deck Fusion Blade For Outlaw
58	4	032-5057-00	Flange Bushing For Lower Deck Arm
59	3	019-5007-00	1/2" Lock Washer
60	4	032-5056-00	Flange Bushing For Upper Deck Arm
61	2	018-0015-00	1/2" x 3" Hex Bolt

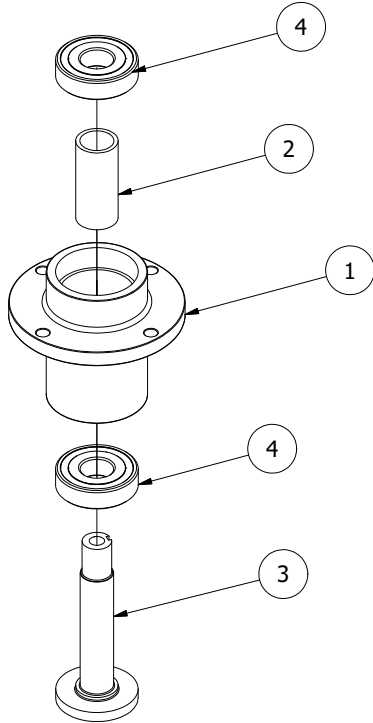


Stand-On 61" Deck



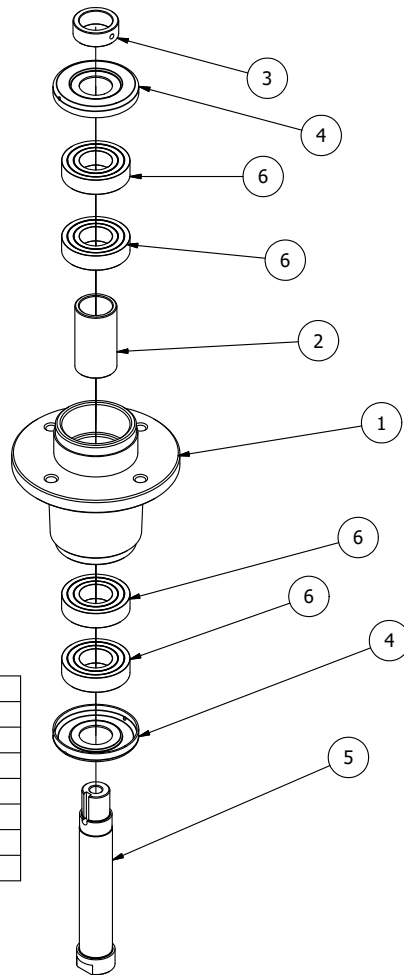
Parts List			
ITEM	QTY	PART NUMBER	DESCRIPTION
1	1	060-1161-00	61" 2015 Stand-On Deck (Welded Assembly)
2	4	018-6059-00	5/8" x 2 1/2" Hex Bolt
3	4	013-7021-00	5/8 Std NC Nylock Nut
4	4	018-6037-00	1/2-13X 2-1/4 GR Hex Bolts
5	2	031-6020-00	Deck Arm Assembly
6	24	013-8050-00	1/2-13 Nylon Flange Nut
7	2	018-1090-00	1/2" x 5 1/2" Bolt
8	1	025-5338-00	.502 ID X .750 OD X 1.500 Long Spacer
9	1	018-2018-00	1/2 x 3 1/2 Flange Bolt Grade 8
10	1	033-5000-00	5 3/4" Deck Idler Pulley
11	1	018-5311-00	5/8" x 4" Hex Bolt
12	2	019-6017-00	.630 ID Plastic Washer
13	1	039-6945-00	Deck Idler Arm
14	1	039-6945-98	Deck Idler Arm Assembly (Includes 6,10,13,17,18)
15	1	013-5301-00	5/8" Nylock (1/2 Jam)
16	1	034-2009-00	2009 Deck/Pump Idler Spring
17	1	018-7016-00	1/2-13 x GR 5 Hex Bolt Zinc
18	1	025-5203-00	Spacer 3/4 OD x 1/2 ID x 3 1/4 Length
19	1	018-2004-00	All Thread-Pump Idler Tensioner
20	2	013-7018-00	1/2" Hex Nut
21	1	033-7201-00	5-3/4 Idler Pulley-Don Dye
22	1	039-4864-00	60" Discharge Chute Upper Hanger
23	1	039-4863-00	60" Discharge Lower Bracket
24	1	210-6005-00	Rubber Discharge Chute
25	7	013-8049-00	5/16" Nylock Flange Nut Zinc
26	5	018-4703-00	5/16" x 1 1/4" Carriage Bolt
27	1	206-6017-00	Discharge Chute Hanger (deck mounted)
28	2	018-2007-00	5/16" x 1" Bolt
29	2	019-6042-00	.360 ID Plastic Washer
30	3	018-5250-00	3/8" x 3/4" Hex Bolt
31	3	013-5201-00	3/8" Flange Nut
32	1	041-4022-00	54" MZ Magnum Belt - B138
33	6	018-0010-00	Deck Wheel Bolt
34	6	022-1000-00	Anti-Scalp Rollers
35	3	030-0050-00	5/16 Set Screw
36	3	019-6020-00	1/2 Belleville Washer
37	3	018-6019-00	1/2"-20 x 1 1/2 - Grade 5 Fine Thread Bolt
38	12	018-5040-00	3/8" x 1 1/4" Hex Bolt
39	12	013-6014-00	3/8-16 Hex Nuts Zinc
40	12	019-5037-00	3/8" Lock Washer
41	3	019-4807-00	5/8" Lock Washer
42	3	018-6020-00	5/8" x 1 1/2" Grade 8 Hex Bolt (Fine)
43	3	042-6030-00	1/4" x 1" Key
44	8	018-3003-00	1/2" x 1 1/4" Carriage Bolt
45	1	060-6210-00	61 Deck Adustable Front (Left)
46	1	060-6220-00	61 Deck Adustable Front (Right)
47	2	014-5000-00	Pulley Cover
48	4	013-0004-00	Acorn nut-pulley Cover
49	4	019-6050-00	.360 ID Plastic Washer-Black
50	3	037-4000-50	OUTLAW SPINDLE ASSEMBLY
51	2	019-6029-00	1 1/8" Flat Spacer
52	8	019-8054-00	.505 Nylon Spacer
53	2	039-0235-00	Longer deck hanger
54	4	013-5300-00	1/2" Flange Nut
55	2	048-6057-00	Turnbuckle
56	3	033-6004-00	6 1/4" Drive Pulley
57	4	032-5057-00	Flange Bushing For Lower Deck Arm
58	3	019-5007-00	1/2" Lock Washer
59	4	032-5056-00	Flange Bushing For Upper Deck Arm
60	3	038-6080-00	61 inch Fusion Blade
61	2	018-0015-00	1/2" x 3" Hex Bolt

037-2000-00 Spindle Assembly 36" Deck Only



Parts List			
ITEM	QTY	PART NUMBER	DESCRIPTION
1	1	037-6027-00	Spindle Housing
2	1	037-6028-00	Spindle Spacer-Component
3	1	037-6025-00	Spindle Shaft
4	2	037-6024-00	Spindle Bearing

037-4000-50 Double Bearing Spindle



Parts List			
ITEM	QTY	PART NUMBER	DESCRIPTION
1	1	037-4001-00	4000 Series Spindle Housing
2	1	037-4002-00	4000 Series Spindle Spacer
3	1	037-9050-00	Locking Collar w/ 1/4"-20 Set Screw
4	2	037-8002-00	Spindle Dust Cap
5	1	037-6026-00	ZT-AOS Spindle Shaft
6	4	037-6023-00	Bearing - 6206



091-0080-00
36" Deck Decal



091-0903-00
48" Deck Decal



091-0904-00
54" Deck Decal



091-0917-00
61" Deck Decal



091-0902-00
Logo Decal



091-1111-00 726cc Decal



091-0919-0
ArmorTek Decal



091-1020-00
Caution Decal – Hydraulic Tank



091-3150-00 Outlaw Warning Decal



091-1151-00 Stand-On Control Decal



091-3017-00
Pump Belt Route Decal



091-9009-00
Deck Belt Route Decal



091-3012-00
Danger Decal – Spindle/Discharge



091-1150-00
Stand-On Deck Height Decal

2016 LIMITED WARRANTY

FOR

BAD BOY COMMERCIAL MOWER

(STAND ON, DIESEL, OUTLAW, OUTLAW EXTREME, and OUTLAWXP)

1. WHAT THIS WARRANTY COVERS, AND FOR HOW LONG:

Bad Boy, Inc. will, at its option, repair or replace, without charge, any part covered by the warranty which is found to be defective in material and/or workmanship within two (2) years* after date of sale to the original retail purchaser **unless the product is used for rental purposes, in which case this warranty is limited to ninety (90) days.**

The leading edge of the deck shell will be warranted for the entire lifetime of the machine to the original purchaser against defects in materials and workmanship. Labor required to repair or replace the leading edge of the deck shell will be covered by Bad Boy Inc. for two years and at the unit owner's expense during the balance of the lifetime of the machine.

Belts are warranted for a period of ninety (90) days against materials or workmanship defects.

Seats are warranted for a period of (6) months against material or workmanship defects.

At Bad Boy, Inc.'s request, customer will make the defective part available for inspection by Bad Boy, Inc. and/or return the defective part to Bad Boy, Inc., **transportation charges prepaid.**

2. WHAT THIS WARRANTY DOES NOT COVER:

A. This warranty does not cover defects caused by depreciation or damage caused by normal wear, accidents, improper maintenance, improper use or abuse of the product, alterations, or failure to follow the instruction contained in the Owner's Manual for operation and maintenance.

B. The customer shall pay any charges for making service calls and/or for transporting the mower to and from the place where the inspection and/or warranty work is performed.

Bad Boy Inc. will not be responsible for the pickup and delivery of a machine for warranty purposes.

C. Engines are warranted separately by their respective manufacturer. The available warranties covering this item are furnished with each mower. Bad Boy, Inc. does not assume any warranty obligation, liability or modification for this item, which is covered exclusively by the stated warranty of the respective manufacturers.

D. Tires, blades, deck anti-scalping wheels, and dust covers are considered to be consumable wear items and are therefore not warranted.

E. Batteries are warranted for six months (free replacement) from the retail purchase date against materials or workmanship defects. The battery warranty must be obtained through the battery manufacturer.

F. Normal maintenance services such as oil change, cleaning, lubrication, adjustment.

G. Replacement of services, items, such as oil, lubricants, spark plugs, belts, rubber hoses or other items subject to normal service replacement.

3. HOW TO OBTAIN SERVICE UNDER THIS WARRANTY:

A. Warranty service can be arranged by contacting the dealer where you purchased the mower. Proof of the date of purchase may be required to verify warranty coverage.

B. Warranty claims will not be reviewed or paid unless the warranty registration is received by Bad Boy, Inc. within 30 days of the retail purchase date.

C. Warranty claims requiring parts returned will be settled upon return of parts to Bad Boy for inspection.

D. All warranty issues must be handled through an authorized service center or dealership.

4. WARRANTY LIMITATION:

A. **THERE IS NO OTHER EXPRESS WARRANTY. ANY WARRANTY THAT MAY BE IMPLIED FROM THIS PURCHASE INCLUDING MERCHANTABILITY AND FITNESS FOR A PARTICULAR PURPOSE IS HEREBY LIMITED TO THE DURATION OF THIS WARRANTY AND TO THE EXTENT PERMITTED BY LAW ANY AND ALL IMPLIED WARRANTIES ARE EXCLUDED.** Some states do not allow limitations on how long an implied warranty lasts, so the above limitations may not apply to you.

B. **BAD BOY, INC. WILL NOT BE LIABLE FOR ANY INCIDENTAL, CONSEQUENTIAL, OR SPECIAL DAMAGES AND/OR EXPENSES IN CONNECTION WITH THE PURCHASE OR USE OF THE MOWER.** Some states do not allow the exclusion or limitation of incidental or consequential damages, so the above limitation(s) or exclusion(s) may not apply to you.

C. Only the warranty expressed in this limited warranty shall apply and no dealer, distributor, or individual is authorized to amend, modify, or extend this warranty in any way. Accordingly, additional statements such as dealer advertising or presentations, whether oral or written, do not constitute warranties by Bad boy, Inc., and should not be relied on.

D. This warranty extends only to turf equipment operated under normal conditions and properly serviced and maintained. The warranty expressly does not cover (i) any defects, damage or deterioration due to normal use, wear and tear, or exposure; (ii) normal maintenance services such as oil change, cleaning, lubrication, adjustment; (iii) replacement of services, items, such as oil, lubricants, spark plugs, belts, rubber hoses or other items subject to normal service replacement; (iv) damage or defects arising out of or relating to misuse, neglect, alteration, negligence or accident; (v) repair or replacement arising from operation of or use of the turf equipment which is not in accordance with operating instructions as specified in the operator's manual or other operational instructions provided by Bad Boy Inc.; (vi) repair or replacement arising as a result of any operation from turf equipment that has been altered or modified so as to, indetermination of Bad Boy, Inc., adversely affect the operation, performance or durability of the equipment or that has altered, modified or affected the turf equipment so as to change the intended use of the product; (vii) repair or replacement necessitated by use of parts, accessories or supplies, including gasoline, oil or lubricants, incompatible with the turf equipment or other than as recommended in the operator's manual or other operational instructions provided by Bad Boy, Inc.; (viii) repairs or replacements resulting from parts or accessories which have adversely affected the operation, performance or durability of the turf equipment; or (ix) damage or defects due to or arising out of repair of turf equipment by person or persons other than an authorized Bad Boy, Inc., service dealer or the installation of parts other than genuine Bad Boy, Inc., recommended parts.

As a condition to this warranty, customer shall have read the operator's manual and ensured the mower has been registered within 30 days of purchase.

E. This warranty gives you specific legal rights, and you may also have other rights, which vary from state to state.



Bad Boy, Inc.
102 Industrial Drive
Batesville, AR 72501
www.badboymowers.com

Technical Support:techsupport@badboymowers.com

Warranty:warranty@badboymowers.com

Parts:partsdept@badboymowers.com

WARRANTY REGISTRATION

**Ensure selling dealership has registered mower within
30 days of purchase to validate warranty.**

Please record your serial number, date of purchase and dealership information
for your records.

Serial # _____

Date of Purchase _____

Dealer Information _____



For additional information, please see us at

www.badboymowers.com

Bad Boy, Inc.
102 Industrial Drive
Batesville, Arkansas 72501