



MZ 42" MODEL

ZERO-TURN MOWER OWNER'S, SERVICE & PARTS MANUAL

For additional information, please see us at
www.badboymowers.com

Bad Boy, Inc.
102 Industrial Drive
Batesville, Arkansas 72501
(870) 698-0090

TABLE OF CONTENTS

Basic Information.....	Section 1 (pages 3, 4)
Bad Boy Safety Guidelines	Section 2 (pages 5, 6)
Operation	Section 3 (pages 6, 7)
Maintenance	Section 4 (page 7)
Storage and Transportation	Section 5 (page 8)
Troubleshooting and FAQ.....	Section 6 (pages 8–9)
Controls	Section 7 (pages 9)
Moving Inoperable Mower	Section 8 (page 10)
Blade Maintenance and Cutting Tips.....	Section 9 (page 10–11)
How to choose the right blade	Page 11
Mowing Tips	Page 19

SERVICE SECTION BEGINS ON PAGE 12
PARTS SECTION BEGINS ON PAGE 20
LIMITED WARRANTY PAGE 37



This manual applies to the following equipment:

Bad Boy MZ Series

MZ 42" 21 hp Briggs

MZ 42" 726cc Kawasaki

COMMONLY USED ITEMS AND PART NUMBERS

42" MZ Blade	Hi-Lift Fusion 038-4221-00	Gator Blade 038-4222-00
42" MZ Deck Belt	041-0120-00	
MZ Pump Belt	041-6400-00	
Oil Filter	Briggs 21 hp 063-8018-00	Kawasaki Engine 063-8017-00
Air Filter	Briggs 21 hp 063-4026-00	Kawasaki Engine 063-2097-00
Motor Oil	10w30 (2 quarts)	
Hydro Oil	20w50 (not serviceable)	

SECTION 1: BASIC INFORMATION

Congratulations on the purchase of your new Bad Boy Mower! The purpose of this manual is to assist operators in maintaining and operating their machine. The information and instructions in this manual can help you attain years of performance from your new Bad Boy. Also, check out our website to learn more about the Bad Boy family.

- 1.1 All Bad Boy engines use 10W30 engine oil. Conventional or Synthetic may be used.
- 1.2 All Bad Boy hydraulic systems use 20W50 engine oil. Conventional or Synthetic may be used.
- 1.3 All Bad Boy Mowers use hi-temp multi-purpose grease. NLGI No. 2 for the grease fittings.
- 1.4 MZ models have 12 psi in both front and rear tires.
- 1.5 Most Briggs, Kohler, Kawasaki, and Vanguard engines hold two (2) quarts of motor oil.

Warranty Registration

The Warranty Registration form must be completed and signed to validate your warranty. As the new equipment owner, you are expected to see that the form is completed and forwarded to Bad Boy, Inc., at time of delivery. Warranty is non transferable.

Model/Serial Number

Your MZ model serial numbers are found on the SIN plate underneath seat. The serial numbers are necessary on the warranty registration form. Also, these numbers can assist you in the ordering of new parts when replacements become necessary.

Parts/Service

Only Bad Boy replacement parts are to be used on your mower. Replacement parts are available through your local Bad Boy Mower Dealer. Remember to always provide the following information when ordering parts:

1. Correct part number
2. Correct serial number

All warranty repair and service must be handled through your authorized Bad Boy Mowers dealer. To locate the nearest dealer, go to our website and click on Locate a Dealer.



SECTION 2: MOWER SAFETY GUIDELINES

Never allow untrained people to operate this machine. It is the owner's responsibility to get training and see to it that anyone who has permission to use your machine receives the proper training.

Do not mow around people. The factory discharge chute is designed to deflect debris downward, but it could be possible for debris to be thrown in a way that can cause damage to people or property.

Seek additional training when possible to learn more about safety techniques and practices.

SAFETY PRECAUTIONS

- 2.2 Always remain seated while operating machine.
- 2.3 Always maintain a safe distance from people and pets while mowing.
- 2.4 Always disengage blades, place steering controls in neutral, engage parking brake, and remove ignition key when leaving operators seat.
- 2.5 Always operate machine in daylight or with adequate working lights.
- 2.6 Be alert of surroundings. Watch for rocks, stumps, and mounds or depressions while mowing.
- 2.7 Always wear eye protection while mowing and servicing.
- 2.8 Always wear ear protection, such as earplugs, while mowing.
- 2.9 If you strike something with the mower turn the blades and mower off, engage the parking brake, and inspect the machine for damage before resuming.
- 2.10 Be aware of low hanging limbs or objects that could potentially be hazardous while mowing.
- 2.11 Never operate a poorly maintained machine.
- 2.12 Never carry passengers.
- 2.13 Always buckle seat belt, if provided one.
- 2.14 Never attempt high speed maneuvering, especially around people or property.
- 2.15 Never put hands or feet under the machine while ignition is on.
- 2.16 Never refuel machine when engine is running.
- 2.17 Never leave key in ignition, especially around children.
- 2.18 Never run engine in enclosed area.
- 2.19 Do not touch hot parts of machine.
- 2.20 Do not remove deck wheels.
- 2.21 Conditions that can affect traction resulting in the loss of control of machine: Wet terrain, Hills or extreme angles, Depressions in the ground, Mounds of dirt, Extremely dry grass, Soil type (gravel, sand, clay), Tire pressure
- 2.22 Be aware of what is located at the bottom of slopes. For example, Rocks, Water, Cliffs, Roads and Highways

2.23 Safety warning decals are located on the mower and should always be observed and followed.

- 2.24 Never operate the mower with the discharge chute open.
- 2.25 Prevent Fires—Remove grass and debris from engine compartment and muffler area, before and after operating machine, especially after mowing or mulching in dry conditions.
- 2.26 Do not store machine near open flame or source of ignition, such as a water heater or furnace.
- 2.27 Do not attempt to mount a tire without the proper equipment and experience to perform the job.
- 2.28 Always maintain the correct tire pressure. Do not inflate the tires above the recommended pressure. Never weld or heat a wheel and tire assembly. The heat can cause an increase in air pressure resulting in a tire explosion. Welding can structurally weaken or deform the wheel.
- 2.29 Never operate machine in a closed area where dangerous carbon monoxide fumes can collect.
- 2.30 Let engine cool before storing!!!
- 2.31 Park machine on level ground. Never allow untrained personnel to service machine. Understand service procedure before doing work.

SECTION 3: MOWER OPERATION

Never operate the machine with faulty equipment. Always be alert of sudden changes in landscape, as the mower will react differently on slopes or embankments than it will on flat surfaces. Never operate the mower with the discharge chute open. Do not cross terrain, other than grass, with blades turning. This could cause damage to property or bystanders.

- 3.1 Place parking brake in up position
- 3.2 Drive arms must be in the “open” position. While sitting on the machine, each arm is positioned away from the operator, to the right and left. Drive arms will lock into place and must be in this position to start machine.
- 3.3 Put PTO switch in the OFF position.
- 3.4 If your machine has been equipped with a ROPS (Roll Over Protection System) then you must fasten seatbelt.
- 3.5 If machine has not been started recently, engage the choke.
- 3.6 Make sure nothing is under or around machine.
- 3.7 Place key in ignition and turn.
- 3.8 Once machine is started, disengage the choke.
- 3.9 Increase RPM by sliding the throttle to fast position, toward the rabbit.
- 3.10 Owners must become familiar with the controls before operating a zero-turn radius vehicle.



- 3.11 Start slowly and build your skill level. Have ample practice before using the machine at full capabilities.
- 3.12 Be comfortable with machine before engaging blades. Know what each component controls before using machine.
- 3.13 Your mower will perform differently on an incline /decline. Be cautious, slow down, and do not make any sudden jerking movements with control arms. The machine could lose traction on a decline or tip backwards on an incline.
- 3.14 Once you become comfortable with your Bad Boy Mower you will notice your overall mowing time will decrease.

Avoid operating your mower on side hills of over 5 degrees, inclines of over 10 degrees, and declines of over 15 degrees.

SECTION 4: MOWER MAINTENANCE

***Check each and provide maintenance when needed.*

DAILY

- 4.1 Check Engine Oil
- 4.2 Check Engine Air Filter
- 4.3 Tire Pressure
- 4.4 Inspect Blades

Within FIRST five hours of usage, change engine oil and filter

EVERY 30 HOURS OF USAGE

- 4.5 Grease Machine

EVERY 50 HOURS OF USAGE

- 4.6 Change Engine Oil and Filters

Check filters once a year if under 50 hours

Check air and fuel filters more often in dry, dusty conditions

SECTION 5: MOWER STORAGE & TRANSPORTATION

- 5.1 Keep machine from collecting debris by storing in a covered area while not in use.
- 5.2 Fuel can harm your machine if left for more than 30 days without changing, especially if the fuel contains ethanol. Never use fuel with more than 10% ethanol by volume. E-15 is not permitted.
- 5.3 Disconnect the negative battery cable when machine will be stored for more than 30 days.
- 5.4 Always secure machine properly when transporting machine.
- 5.5 Do not load machine on trailer with blades engaged.
- 5.6 Do not use ramps to load the machine.
- 5.7 Make sure Parking Brake is in “up” position.
- 5.8 In wet conditions tires may spin while loading / unloading. If necessary, wait for dry conditions before loading / unloading.
- 5.9 Make sure mode of transportation is suitable to bear the weight of mower.
- 5.10 Deck height should be set at maximum before attempting to load.
- 5.11 Secure mower with at least two straps capable of securing weight of mower.

SECTION 6: TROUBLESHOOTING

- 6.1 **Q: *How should I prepare my Bad Boy Mower for the off season?***
- 6.1 **A:** When preparing for any down period of 90 days or more, the most important thing is proper fuel preparation. Use a fuel stabilizer in your final tank of fuel or run dry. Choke and repeatedly crank engine until it will not start. This will decrease the potential for varnish or gum deposits forming in your system.

- 6.2 **Q: *How do I prevent an uneven cutting pattern and increase the quality of cut?***
- 6.2 **A:** Check tire pressure, check blade sharpness (replace blades or sharpen at least once per year or when needed), make sure blades are tightened properly, check spring and belt tension, check the underside of the deck to ensure the mower deck is free of grass build-up and debris, make sure your machine is at full throttle, and vary your mowing pattern each time you cut your grass.

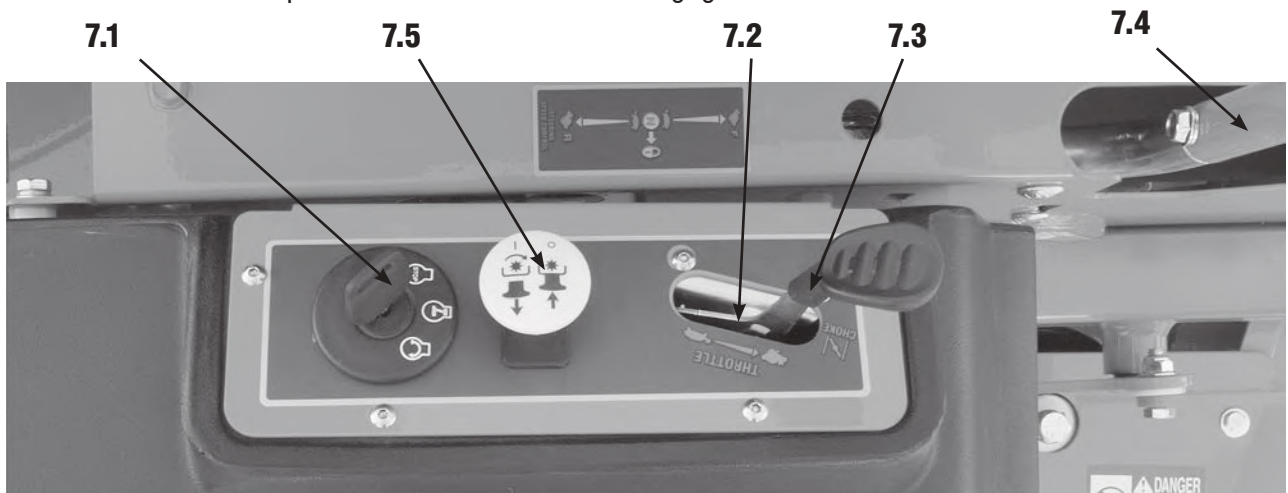
- 6.3 **Q: *What should I do if my mower won't start?***
- 6.3 **A:** Check battery charge and connection (grounds), check your fuel (make sure fuel is less than 30 days old and contains no water), make sure your spark plug is in good condition and spark plug wire is attached, and make sure air filter is clean (a dirty filter makes it more difficult for the engine to draw air). Check for broken wires or bad connections.



- 6.4 **Q: What should I do if the blades won't engage?**
6.4 **A:** Make sure the safety switch is plugged in on the bottom of seat. Check the underside of the PTO engager to ensure the plug is secure at switch.
- 6.5 **Q: What type of fuel is recommended for my mower?**
6.5 **A:** We recommend that you use a name brand fuel to ensure quality. Use fuel with an octane rating near 87. Higher octane fuels offer no benefit. Only fuels with an ethanol content of 10% or less may be used. E-15 is not permitted.
- 6.6 **Q: Do you offer touch-up paint for your mowers?**
6.6 **A:** Touch-up paint is available. Contact your local dealer for more information.

SECTION 7: CONTROLS

- 7.1 **Ignition Switch**—Bad Boy Mowers have a three position ignition switch: off, run, and start. With key inserted, rotate it clockwise to START position and release key when engine starts, and switch will automatically return to the RUN position.
- 7.2 **Throttle Control**—A cable is connected to the engine throttle for controlling engine speed. Move lever forward to increase engine rpm, move lever backward to decrease engine rpm.
- 7.3 **Choke Control**—Some MZ Models use the Choke-O-Matic system. In this case, the choke and throttle controls are operated by the same lever. With the lever pushed full forward, this will apply the choke. Pulling the lever back slightly will disengage the choke and will give the engine wide open throttle. **DO NOT OPERATE WITH THE CHOKE APPLIED.**
- 7.4 **Control Levers**—These levers control the mower's speed, direction, and neutral lock. These levers are used to steer, accelerate, decelerate and change direction. (Drive Arms)
- 7.5 **Blade Engage Switch**—This switch engages the blades. Pull the switch up to engage the blades and push the switch down to disengage the blades.



SECTION 8: MOVING INOPERABLE MOWER

- 8.1 If it is necessary to move mower when the engine is inoperable, the hydraulic drive pumps are equipped with bypass valves. Refer to service manual section for bypass valve location.
- 8.2 Do not tow machine. Use a winch to load on a trailer for transporting.
- 8.3 **ATTENTION:** RETURN BYPASS VALVES TO OPERATING POSITION BEFORE RUNNING MOWER FOLLOWING REPAIRS.
- 8.4 Your Bad Boy Mower Weighs: ***MZ 42" SERIES:*** ***585—602 lbs***
**** Weights fluctuate with the addition of accessories.*
- 8.5 As you can see by the weights of the machines, you shouldn't ever try to push or pull a Bad Boy Mower by hand. This could cause serious bodily injury.
- 8.6 Hopefully, you'll never need to use this section of the manual. However, if you do, use extreme caution when moving machine!

SECTION 9: MOWER BLADE MAINTENANCE

- 9.1 Check mower blades after each use. This is essential for maintaining well-groomed turf. Keep the blades sharp. If a dull blade is used for cutting, the grass will tear rather than cut. This could damage the grass leaving a brown frayed top on the grass within a few hours. A dull blade will also require more power from the engine.
- 9.2 NEVER attempt to straighten a bent blade by heating. NEVER attempt to weld a cracked blade. The blades can break and cause serious injury or death.
- 9.3 NEVER work with blades while engine is running or deck clutch is engaged.
- 9.4 ALWAYS place deck clutch in DISENGAGE position while performing maintenance.
- 9.5 Use blocks when you MUST work under mower.
- 9.6 ALWAYS wear thick gloves when handling blades.
- 9.7 ALWAYS check for blade damage if mower strikes rock, branch, or other objects that could potentially damage the blade. **(REMEMBER: NEVER CHECK BLADE WHILE ENGINE IS ON! NEVER CHECK BLADES WHILE BLADES ARE ENGAGED!)**



HOW TO CHOOSE THE RIGHT BLADE

Essentially there are only TWO basic styles of mowing blades used or approved for use on our current products:

- 1) The standard style of mowing blade is essentially designed for cutting grass and effectively discharging the clippings out from the deck to fall onto the lawn or to be captured in a grass collection system. Standard blades are also referred to as “2-in-1” (discharging & bagging) or “high-lift” blades (because they are designed to create a higher-lifting airflow).
- 2) Mulching blades generally have a more curved style surface and frequently include extra cutting surfaces along the blade edges. These blades may also come in a “+” design (which is actually two individual blades arranged in a perpendicular fashion to enhance mulching). The “+” blades are usually found on older style mowers; newer ones utilize blades with more advanced mulching technology. Mulching blades may also be referred to as “3-in-1” (mulching, discharging & bagging) or “all-purpose” blades.

Bear in mind that the re-circulating airflow design of 3/1 blades makes them less efficient at discharging grass clippings than a standard 2/1 blade. As with most all-purpose tools, there is some give and take as opposed to using a tool designed for a more specific purpose.

If you’re experiencing less-than-desired cutting or discharging performance with a 3/1 blade, you may want to check into using a 2/1 blade. Conversely, if you’re using a 2/1 blade and want to mulch clippings, you should see about the availability of mulching blades.

The type of blade installed on a new mower is a decision the retailer makes for each model of mower, based on the expected needs of most customers. If you’re unsure of which blade is on a particular model, inspect the blade. Blades have part numbers stamped into them. Then compare these part numbers with the unit’s Operator’s Manual or Parts List.

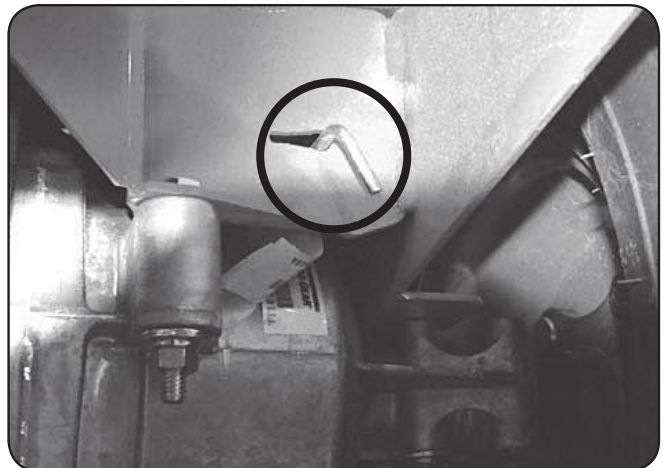
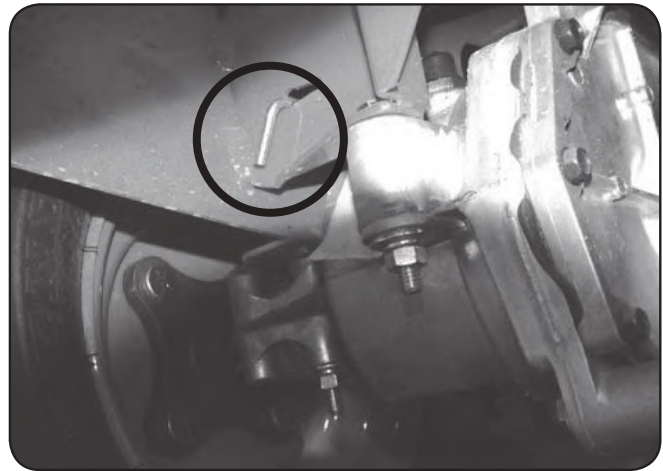
It is true there are many other styles of blades available. But since we don’t manufacture or recommend using these other aftermarket styles, we will leave them out of this discussion. Should you want more information on special application or aftermarket blades, you should contact the companies that make these products. NOTE: Customers using non-OEM blades do so at their own risk. The use of unapproved (non-OEM) blades may void any or all of the mower and engine factory warranties.

SERVICE SECTION

SECTION 1: HYDROSTATIC SYSTEM

The hydrostatic system on MZ models is a sealed lifetime transaxle system, so no maintenance is required.

Under the rear of the mower, you will find the two levers shown in the images. These bypass levers serve as a neutral for moving the mower without the engine running. Pull the levers out and lock them into place to activate the bypass.



When adjusting the tracking on the mower, the length of the pushrods can be changed by screwing the swivel joint in or out on the ends of the rods. Shortening the overall length of the rod slows the pump down. Lengthening the rod will increase the speed of the pump.



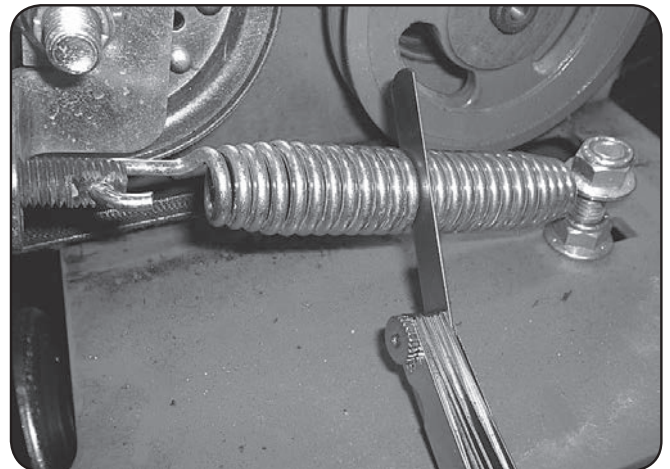


SECTION 2: DRIVE BELT

Shown to the right is the MZ pump belt tensioner. Tightening the two 3/4" jam nuts on the right side will increase the belt tension.

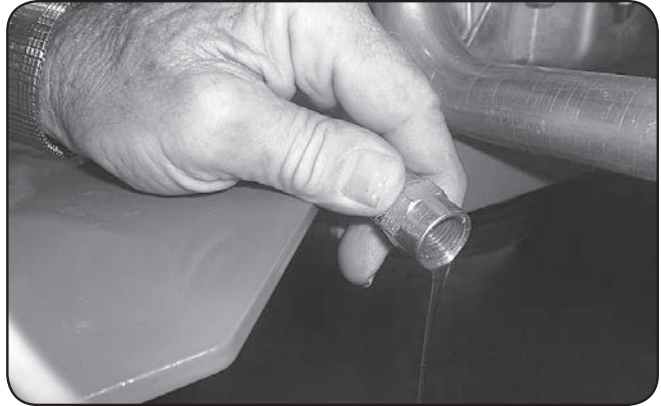


Factory setting is about .030" (about the thickness of a credit card) between coils as shown.



SECTION 3: ENGINE

Some models have a drain hose installed on the engine, for easier oil changes. All gas engines used by Bad Boy use 10w30 and have an oil capacity of 2 quarts. Bad Boy recommends that the oil and filter be changed every 50 hours of usage.



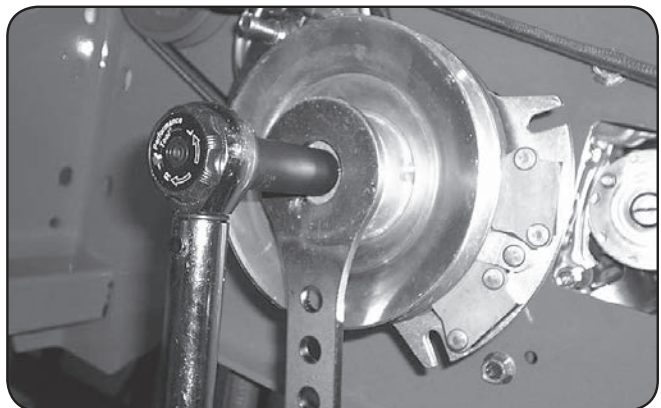
The fuel filter is located in the fuel line about 12" from the carburetor on the side of the engine. Note the direction of flow on the side of the filter. Replace once a year.



Remove and inspect air cleaner weekly. (More often in dusty conditions). Do not blow filter out with air pressure, this will cause the filter to be filled with tiny holes that will allow dirt to enter. Instead, tap filter on side to remove any debris. Replace at least once a year, more often in dusty conditions

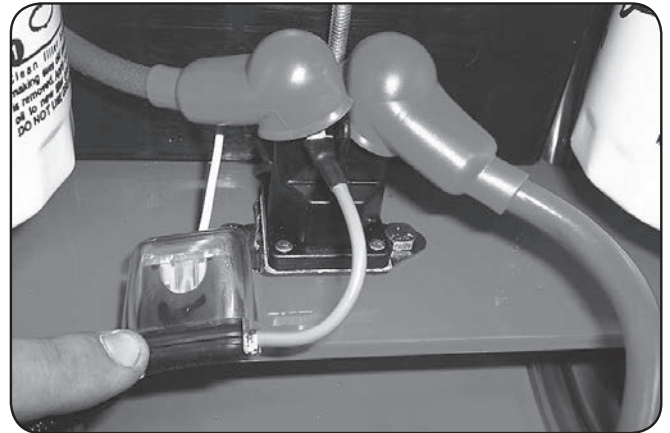


Torque the clutch bolt to 50 ft. lbs. on all models.
Re-torque at every oil change.
(All Models)

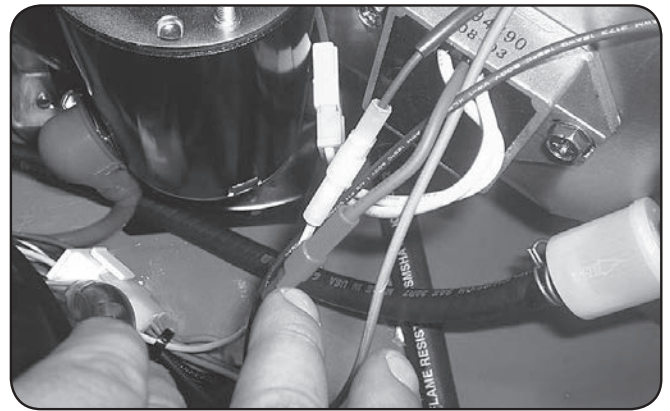


SECTION 4: ELECTRICAL SYSTEM

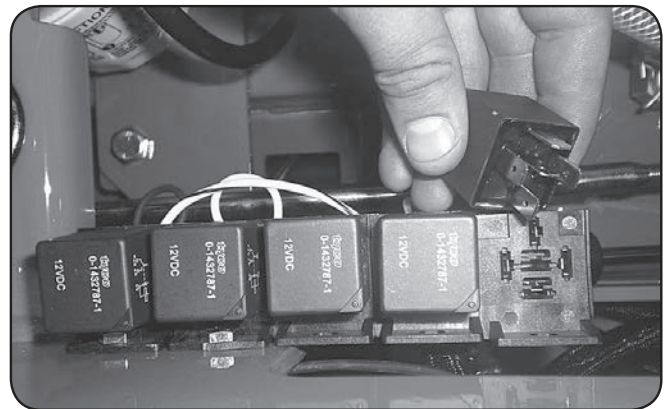
The 25 amp main fuse is located just behind the battery connected to the starter solenoid.

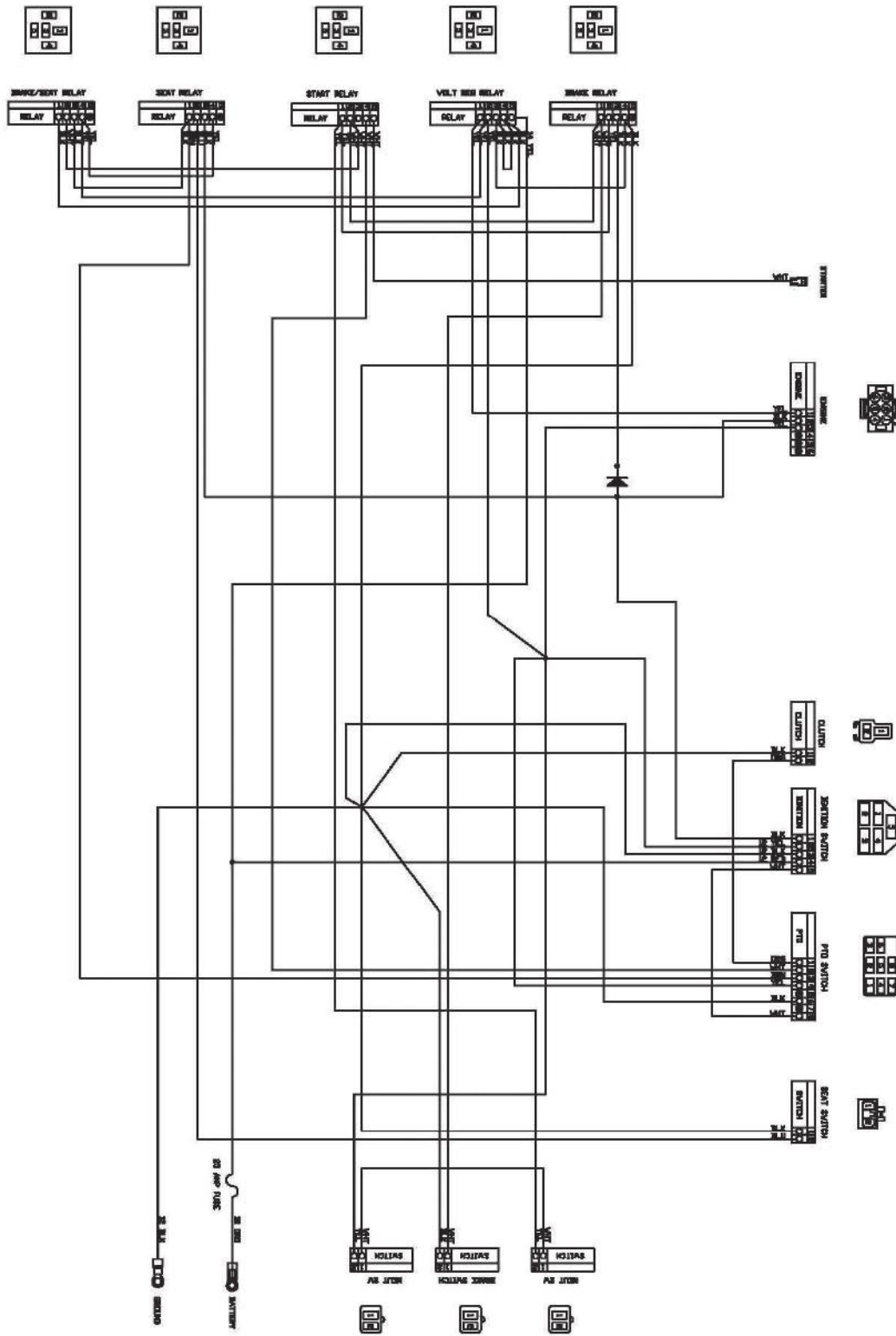


On most models, the red wire coming out of the engine is the charging wire from the alternator. Check for 13.6 - 14.2 volts dc at this wire with engine at full throttle.



Check the condition and connection of the relays located under the control panel. Ensure that they are clean and connected. Make sure that wire terminal ends have not been pushed out of the relay block.



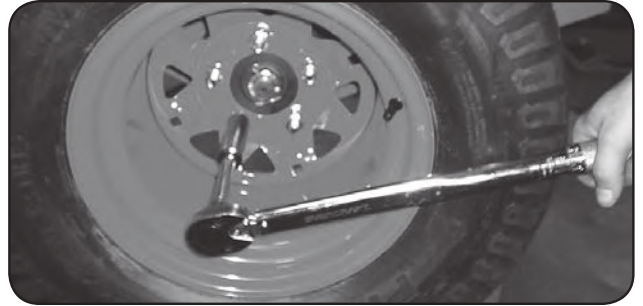


ELECTREX, INC.
 HATFIELD, PA
 CUSTOMER: _____
 ORDER P/N: _____
 DRAWING TITLE: _____
 DATE: _____
 REVISION: _____
 DRAWN BY: _____
 DATE: _____



SECTION 5: FRAME

Torque rear wheel lugs to 65-75 ft. lbs. Re-torque at every oil change. (All models)



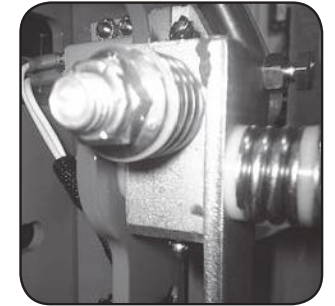
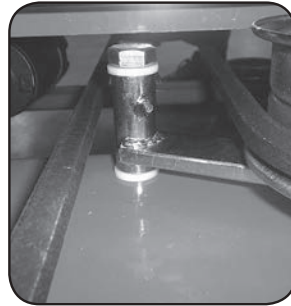
There is one grease fitting on each of the actuator bar pillow blocks (Total of 4). Grease twice a season.



The pump belt tensioner is located under the engine and has a grease fitting at its pivot point. Grease at every engine oil change.



The deck belt tensioner is located at the rear of the deck and has a grease fitting on its pivot point. Grease at every engine oil change.



The control arm blocks have grease fittings located on the top and bottom of each block. Grease one time a year.

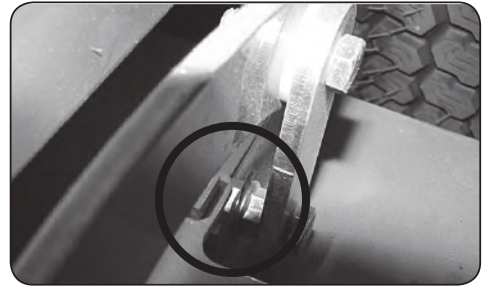
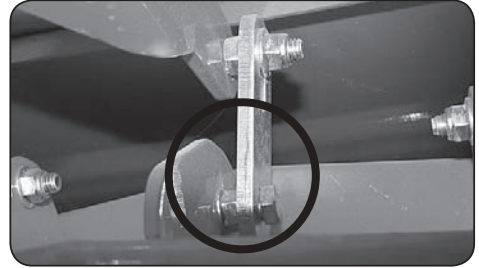
Grease fittings on MZ model total – 10

SECTION 6: CUTTING DECK

To remove the deck belt, lift up on the belt while rotating the pulley to roll the belt up and off of the pulley. (be sure not to get your fingers between belt and pulley). To check the level of the deck, start on a flat surface and set the air pressure in all four tires. Raise the deck up, and measure all four corners of the deck to see if it is level from left to right and front to back. All decks should be level from left to right and have a 1/8" pitch down in the front.



If deck adjustments are necessary, the deck hanger bolts have adjustable slots. These adjusters affect the overall height of the deck and the level from left to right.



The deck spring tension is critical. If the tension is too much, it will cause the spring to break. If too loose, the belt can jump off or slip on the pulleys and cause a cut quality issue. With the deck up, the spring coil gap should be about .025" - .030" (about the thickness of a credit card). Spring tension adjustments can be made by sliding the bolt shown above forward or backward in the slot of the deck.

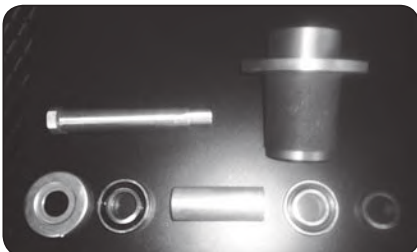


The condition of the blades can drastically affect the cut quality of the mower deck. Replace as necessary. These blades were used considerably too long. Resharpener is recommended by professionals only to determine when the blade needs to be replaced and because of the need for rebalancing.



To change blades, it may be easier to use a piece of wood to keep the blade from turning so that the bolt can be loosened. Retorque the blade bolts to 90-110 lbs.

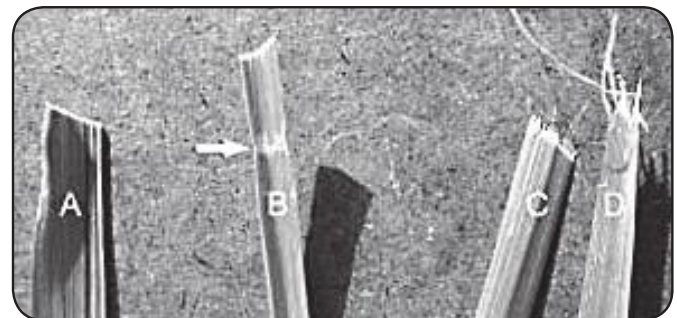
The blade spindles contain a sealed ball bearing in the top and bottom of the spindle. The bearings are replaceable for a more cost effective repair.





MOWING TIPS:

- Mow header strips at the ends of the lawn and around flower beds first. Make them wide enough that you can turn the mower around in the already mown section. Then mow back and forth between these header strips overlapping each lap by about 1/8 the width of the mower's deck.
- Don't cut your grass too short, particular for cool season grasses. Higher heights usually provide for a deeper root system, looks better, and is less likely to have weeds invading, particularly crabgrass.
- Don't remove any more than one third of the grass leaf at any one cutting. If circumstances arise that a lawn gets too tall and you just have to lop off a bunch to get caught up, bite the bullet and break it down into several mowings to get caught up with 3 or so days between cuttings.
- **NEVER SCALP YOUR LAWN.** Scalping severely damages the root system to such a degree that it may die.
- Avoid mowing when the grass is wet or when it's dark
- Avoid throwing grass clippings into the street and driveway where they can be washed into the sewer system. After mowing, clean up driveway and walkways.
- When mowing remove only a third with each cutting (except for the first mowing of the season when it's ok to remove more). You can safely leave clippings that will quickly decompose and add nutrients back into the soil. Contrary to popular opinion, grass clippings do not add to thatch buildup. Grass blades are made up of about 75% water.
- Mow your lawn in a different direction with each mowing, especially with lawns of shorter grass types. Altering the direction ensures a more even cut since grass blades will grow more erect and less likely to develop into a set pattern.
- Keep your mower's blade sharp, which means having it sharpened several times during the mowing season. Keep several blades around so you'll always have a sharp one on hand. Sharp blades cut the grass cleanly and help mulch clippings into small pieces which break down quickly.
- Don't forget to change your mower's oil at least once during the mowing season. For brand new mowers, change the oil after about 5 hours of operation during the initial break-in period.
- At the end of the mowing season use a fuel stabilizer in the remaining gasoline
- In the spring, don't use that old gas unless you properly used a fuel stabilizer, it can cause a number of problems. Better to use fresh gasoline to begin the new mowing season.
- **Leaf blade A** demonstrates what a leaf blade should look like after mowing with a sharp blade.
- **Leaf blade B** demonstrates a leaf blade that was injured by a dull mower blade.
- **Leaf blade C** was cut by the mower but indicates that the mower blade is not sharp enough. The shredded white tissue protruding from the leaf blades C and D is the vascular tissue of the plant.
- **Leaf blade D** has been mown for quite some time with a dull mower blade.

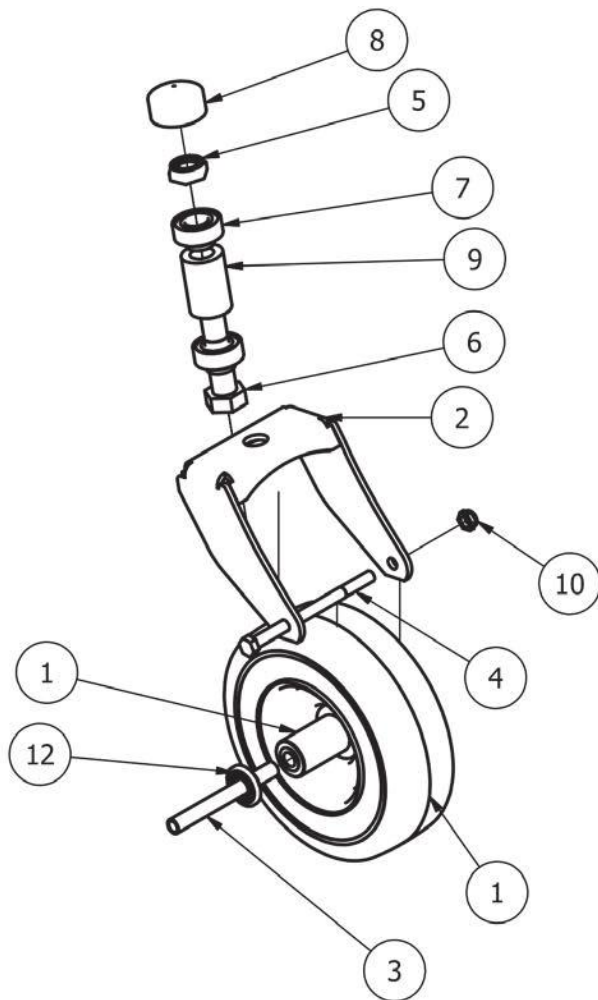


To bag or mulch?

Grass clippings do not contribute to thatch buildup or increase the chances of disease. If you mow your lawn at the right height, without removing any more than 1/3 of it's total height, clippings will quickly breakdown without a trace. These clippings contribute additional nitrogen and other nutrients to the soil and supply it with additional organic materials. Clippings from a 1000 sq. ft. lawn can add as much as 1 - 2 pounds of nitrogen back into the soil.

If you have a compost pile, then you may want to bag your clippings occasionally to add much needed green-matter to the compost pile. Make sure it is mixed thoroughly with brown matter to avoid a strong ammonia odor. **DO NOT COMPOST CLIPPINGS** after applying any weed control or weed-feed type product. Before adding clippings to the compost pile wait at least 3 mowings after these products have been applied.

PARTS SECTION

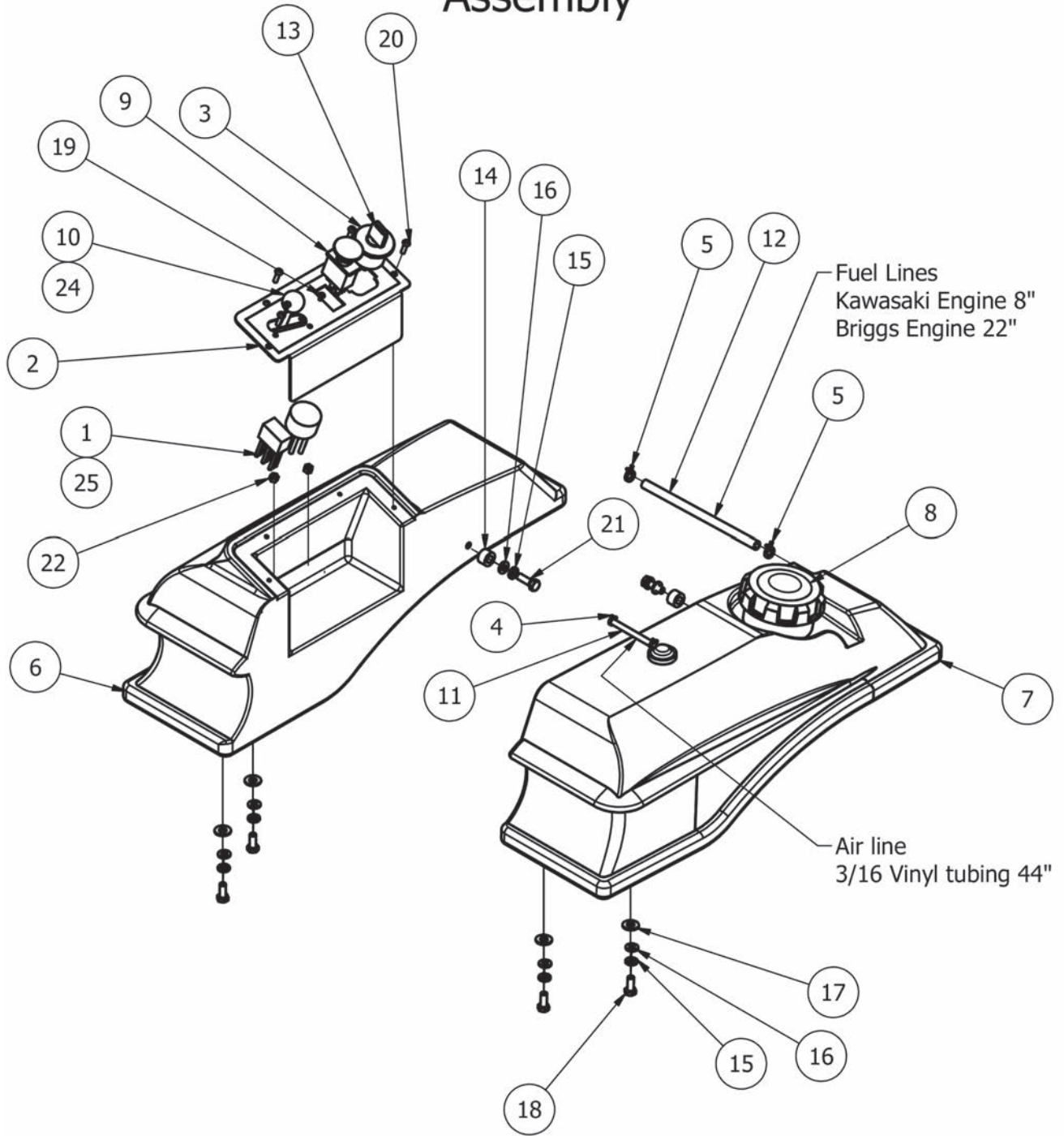


Front Tire Assembly

Front Tire Assembly			
ITEM	QTY	PART NUMBER	DESCRIPTION
1	1	022-8049-00	11x6-5 front tire & wheel assembly
2	1	023-1000-00	Front Fork MZ
3	1	025-0008-00	Front Wheel Spanner
4	1	018-0004-00	1/2 x 7 Hex Bolt Grade 5
5	1	013-9004-00	1" Fine Thread Nut
6	1	018-0005-00	1-14 x 5 Hex Bolt Grade 8 Zinc Yellow
7	2	010-2000-00	Caster Bearing -MZ, 2009 & up
8	1	014-2050-00	Rubber Bearing Cap
9	1	025-0005-00	MZ Caster Bearing Spacer
10	1	013-6052-00	1/2" Nylock Jam Nut
12	2	022-7009-00	Wheel Bearing



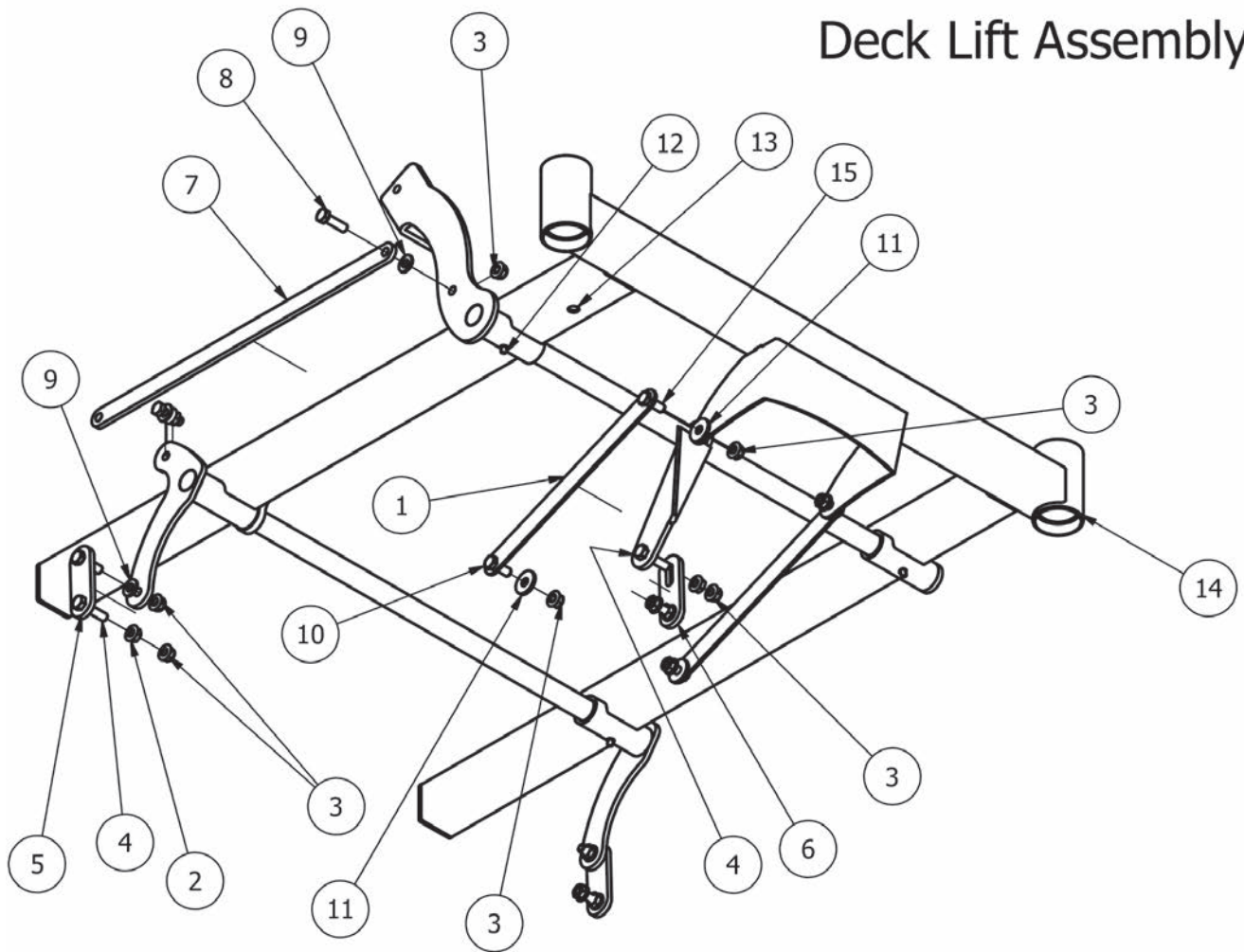
Gas Tank and Control Panel Assembly



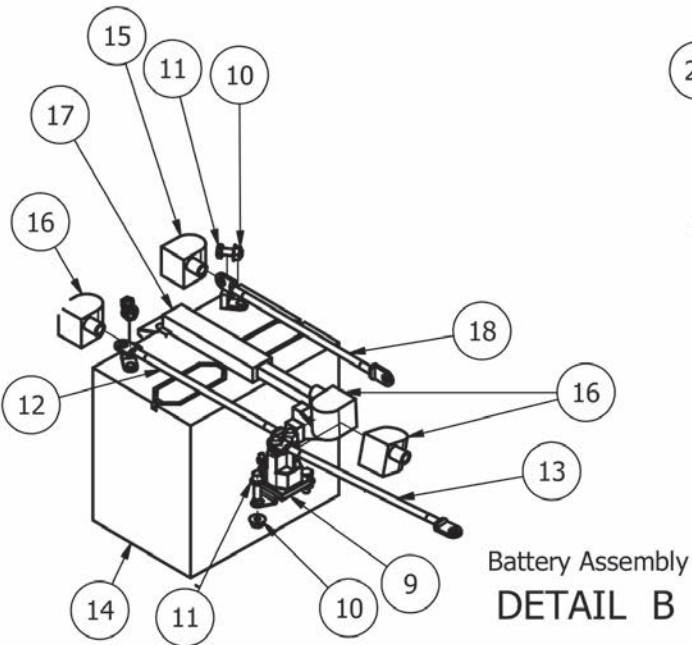
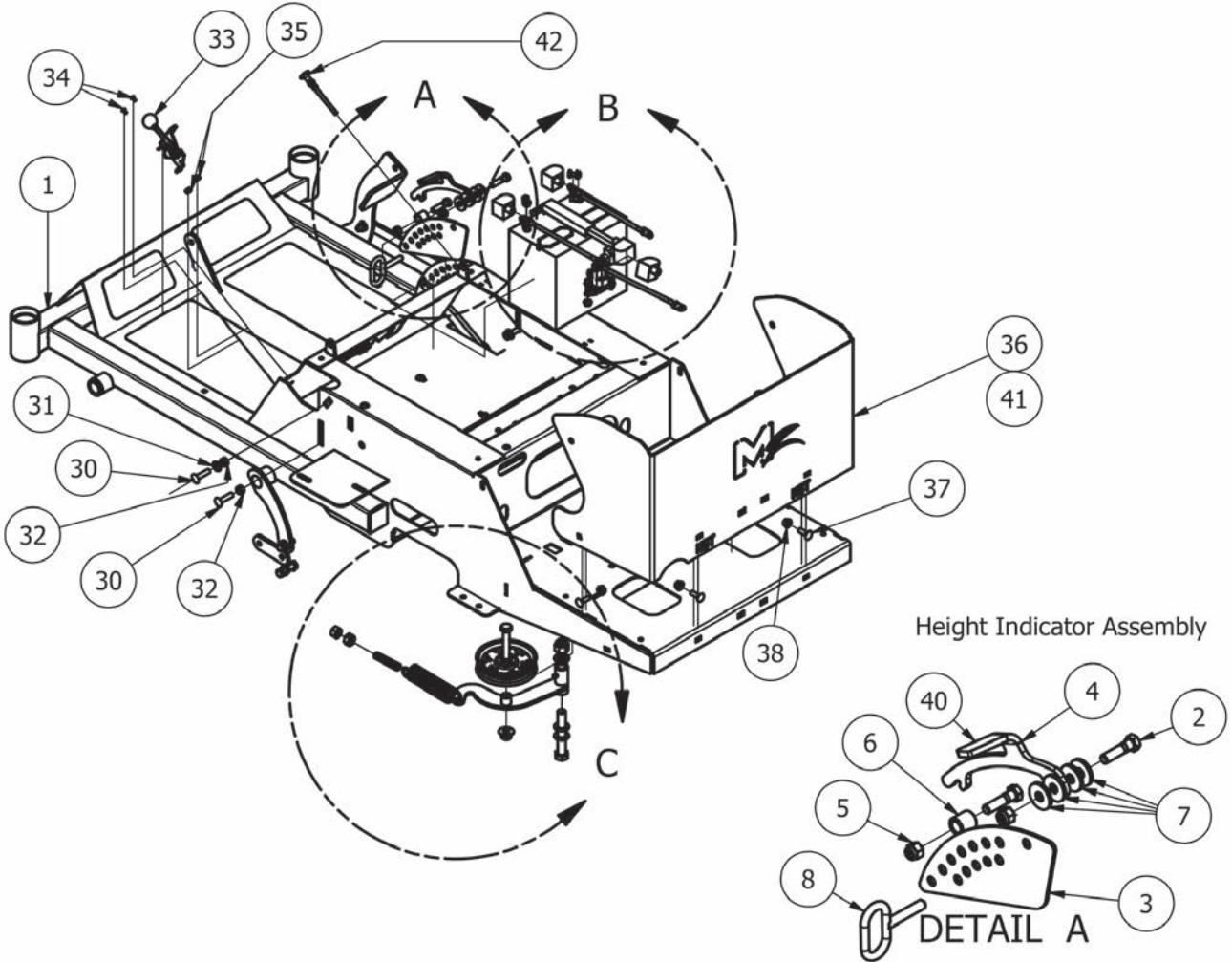
Gas Tank and Control Panel			
ITEM	QTY	PART NUMBER	DESCRIPTION
1	1	086-0075-00	Wiring harness
2	1	079-0050-00	MZ Control Panel
3	1	077-8076-00	Ignition Switch
4	2	072-8070-00	3/16 vinyl clamp
5	2	072-8069-00	1/4 fuel clamp
6	1	067-2001-00	Fender Console
7	1	067-2000-50	3 Gallon Fuel Tank/MZ/2012 EPA
8	1	066-8083-00	Fuel Cap
9	1	056-8058-00	PTO Engager
10	1	055-3000-00	Throttle Lever W/Choke
11	1	051-8073-00	3/16 vinyl tubing
12	1	051-8067-00	1/4" fuel line hose sold by the Foot
13	1	042-9000-00	Ignition Key
14	2	025-2025-00	Tank spacer
15	6	019-8051-00	5/16" Lock Washer
16	6	019-7040-00	1/4" Flat Washer
17	4	019-6042-00	.360 ID Plastic Washer
18	4	018-8063-00	5/16" x 3/4" Hex Bolt
19	2	018-5200-00	10-24 X 5/8 BS C/S 18-8 SS
20	4	018-2010-00	10-32 x 3/8" Button Socket Head Bolt
21	2	018-2007-00	5/16" x 1" Bolt
22	2	013-5019-00	10-24 Nylon Insert Locknut
24	1	055-3021-00	Throttle-21Hp MZ Only
25	1	086-1201-00	Relay Terminal



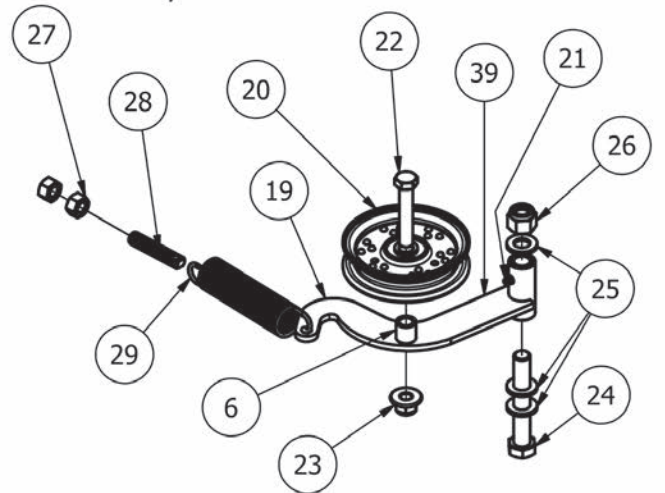
Deck Lift Assembly



Deck Lift Assembly			
ITEM	QTY	PART NUMBER	DESCRIPTION
1	2	031-1010-00	MZ Front Arms
2	4	013-5201-00	3/8" Flange Nut
3	12	013-5202-00	3/8" Nylock Flange Nut
4	4	018-6012-00	3/8" x 1 1/2" Hex Bolt
5	2	025-0010-00	Deck Spacer (Rear)
6	1	025-0020-00	Deck Spacer (Front)
7	1	028-0050-00	Deck Linkage Rod
8	4	018-5040-00	3/8" x 1 1/4" Hex Bolt
9	4	019-6042-00	.360 ID Plastic Washer
10	2	018-6049-00	3/8" x 1" Hex Bolt
11	4	019-2073-00	.390 ID Plastic Washer
12	6	024-6034-00	1/4" Drive in Grease Fitting
13	1	014-3010-00	5/8 Round insert
14	1	034-6039-00	Wheel bearing Container
15	2	018-5040-00	3/8-16 x 1-1/4 GR 5 Hex Bolt



Battery Assembly
DETAIL B

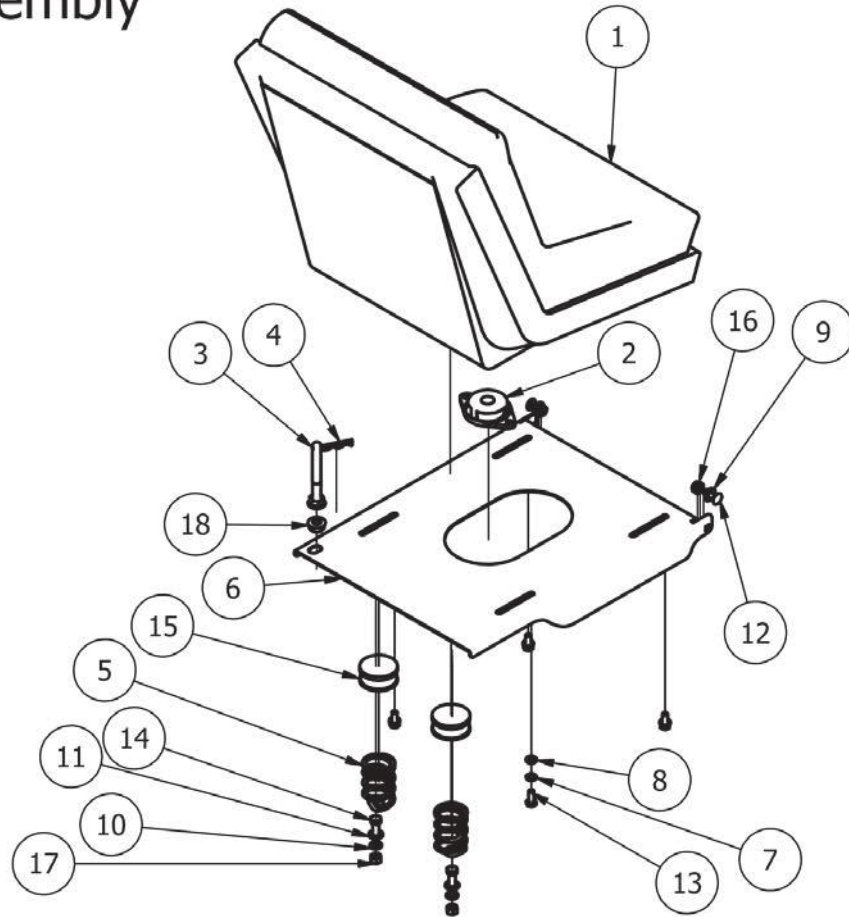


DETAIL C Idler Arm Assembly



Frame Assembly			
ITEM	QTY	PART NUMBER	DESCRIPTION
1	1	070-5800-00	MZ Frame
2	2	018-6012-00	3/8" x 1 1/2" Hex Bolt
3	1	026-2020-00	MZ Height Indicator Plate
4	1	031-1050-00	MZ Deck Level Lock Lever
5	2	013-5041-00	3/8 Nylock Nut
6	2	025-5203-00	3/4 OD x 1/2 ID x 3\4 Length
7	4	019-2073-00	.390 ID Plastic Washer
8	1	040-4000-00	Deck height lever pin
9	1	108-5349-00	Solenoid
10	4	013-9001-00	1/4-20 Hex Flange Nuts Zinc w/Serrations
11	4	018-8052-00	1/4-20 x 3/4 GR 5 Hex Bolts Zinc
12	1	064-0025-00	10" red battery cable
13	1	064-0050-00	62" red cable
14	1	068-2000-00	MZ Battery
15	1	103-5400-00	Black Boot For ground cable
16	3	103-5300-00	Red Boot
17	1	043-8929-98	Battery Hold Down
18	1	064-0030-00	24" Ground Cable
19	1	039-7000-00	MZ Idler arm Bracket
20	1	033-6001-00	4-3/4 Idler Pulley
21	1	024-6034-00	1/4" Drive in Grease Fitting
22	1	018-6036-00	1/2" x 2 3/4" Hex Bolt
23	1	013-8050-00	1/2-13 Nylon Flange Nut-Orange
24	1	018-5311-00	5/8" x 4" Hex Bolt
25	3	019-6017-00	.635 ID Plastic Washer
26	1	013-7021-00	5/8 Std NC Nylock Nut
27	2	013-7018-00	1/2" Hex Nut
28	1	018-2004-00	All Thread-pump Idler Tensioner
29	1	034-9050-00	Deck spring big diameter
30	4	018-0001-00	3/8 -16 x 1-1/2 short neck bolt
31	4	019-5029-00	3/8" Flat Washer
32	4	013-6014-00	3/8" Hex Nut
33	1	064-8057-00	Brake cable for MZ
34	2	018-5200-00	10-24 X 5/8 BS C/S 18-8 SS
35	2	013-5019-00	10-24 Nylon Insert Locknut
36	1	026-0110-00	MZ Back Plate
37	4	018-8065-00	5/16" x 1" Carriage Bolt
38	4	013-9002-00	5/16" Flange Nut Zinc W/Serrations
39	1	039-7001-98	Parts 6,19,20,21,22,23 make up the Mz Idler arm assembly
40	1	014-2051-00	Deck Height Handle Grip MZ
41	1	026-0100-00	MZ Engine Rear plate (21hp)
42	1	054-8016-00	Choke

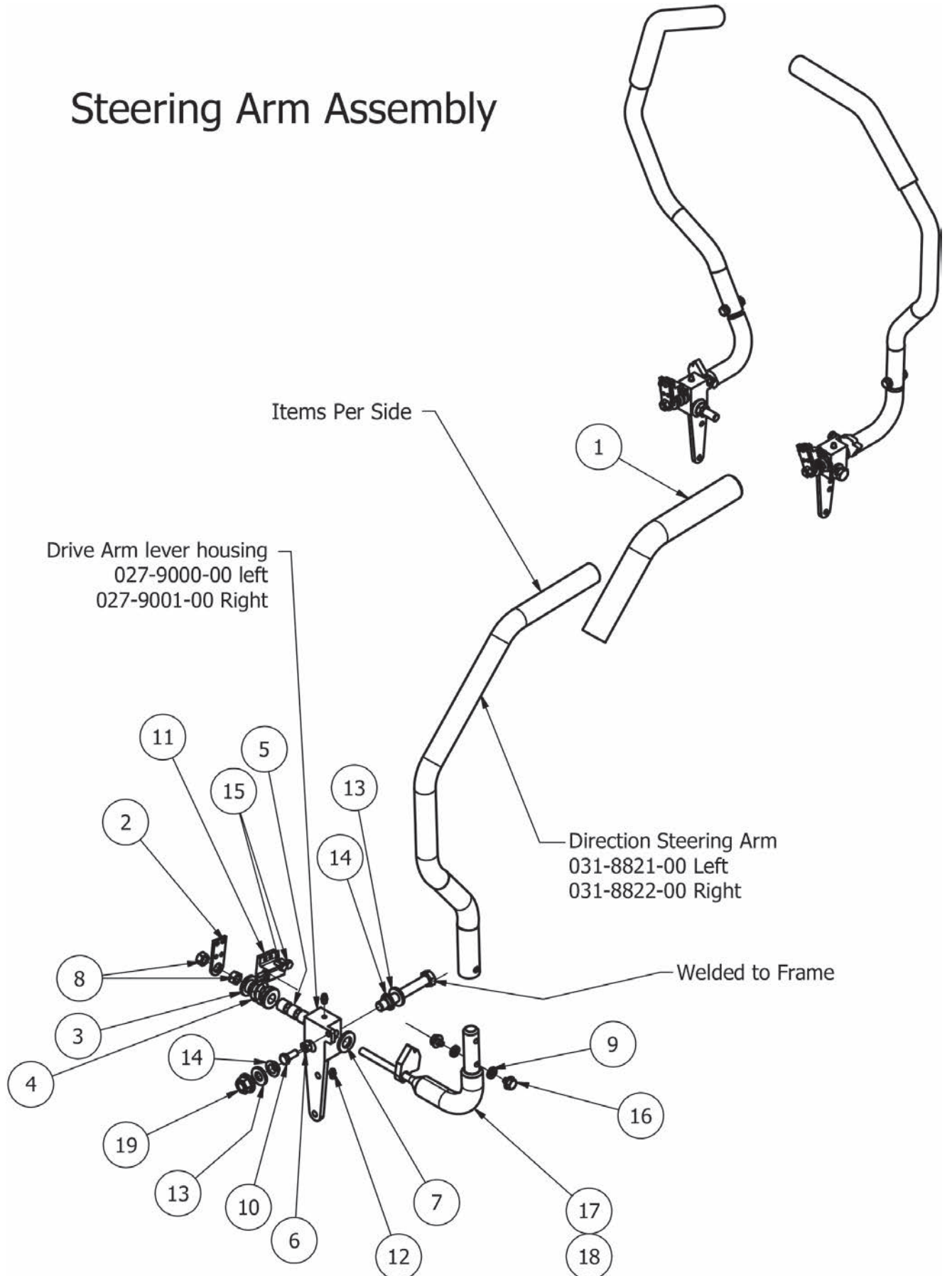
Seat Assembly



Seat Assembly			
ITEM	QTY	PART NUMBER	DESCRIPTION
1	1	071-8095-00	Gray Bucket Seat with no Arms/Sides
2	1	071-8061-00	Seat Safety Switch
3	1	044-4000-00	Seat Bracket Pin
4	1	040-6060-00	Seat latch pin
5	2	034-8045-00	Seat Spring
6	1	026-2010-00	MZ Seat Plate
7	4	019-8051-00	5/16" Lock Washer
8	4	019-7040-00	1/4" Flat Washer
9	2	019-6042-00	.360 ID Plastic Washer
10	2	019-5037-00	3/8" Lock Washer
11	2	019-5029-00	3/8" Flat Washer
12	2	018-8065-00	5/16-18 x 1 Carriage Bolts Zinc
13	4	018-8063-00	5/16" x 3/4" Hex Bolt
14	2	018-5040-00	3/8" x 1 1/4" Hex Bolt
15	2	014-8047-00	Spring Cap Cover
16	2	013-8049-00	5/16-18 Nylon Flange Nut
17	2	013-6014-00	3/8" Hex Nut
18	2	013-5300-00	1/2" Flange Nut

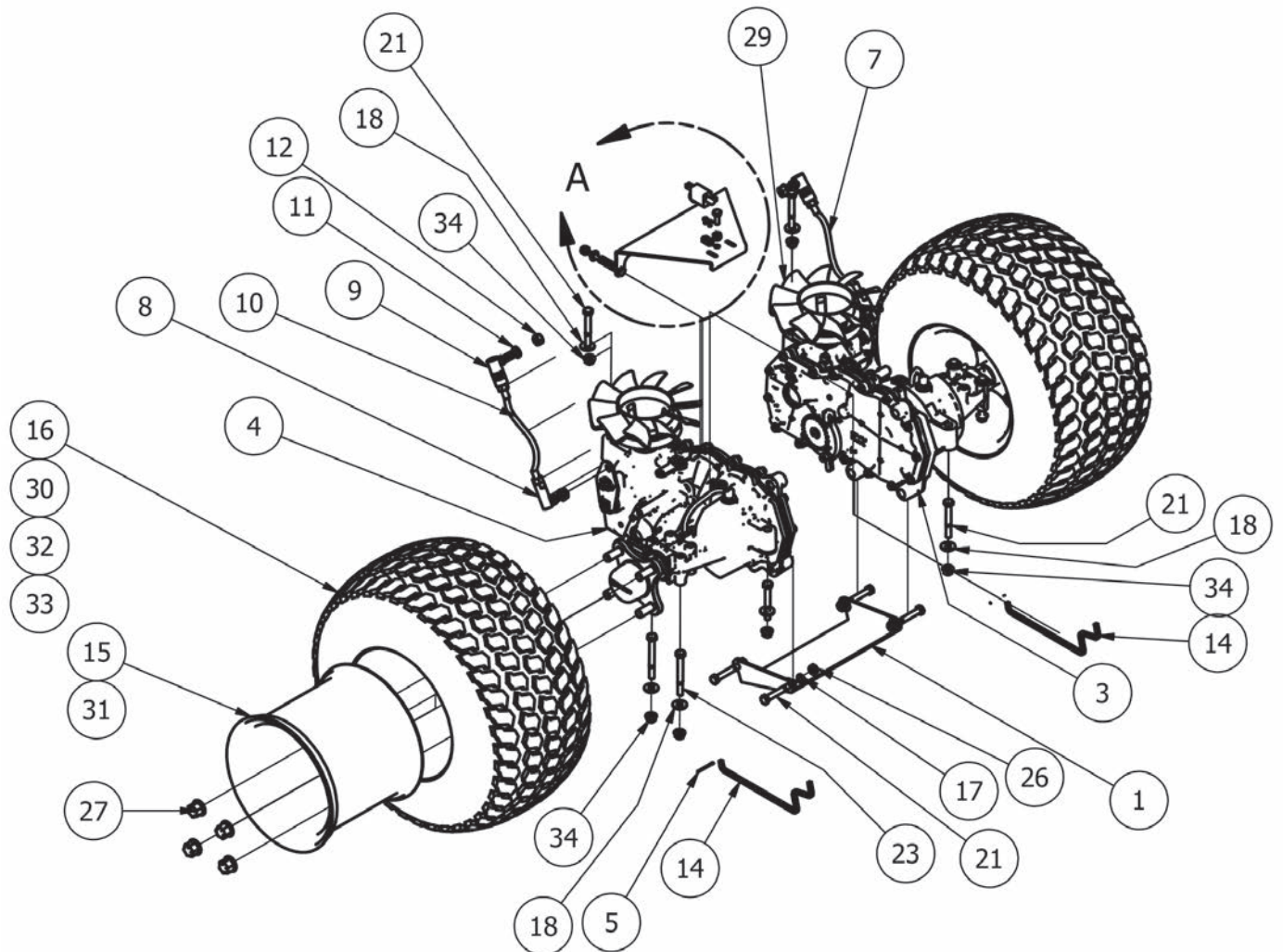
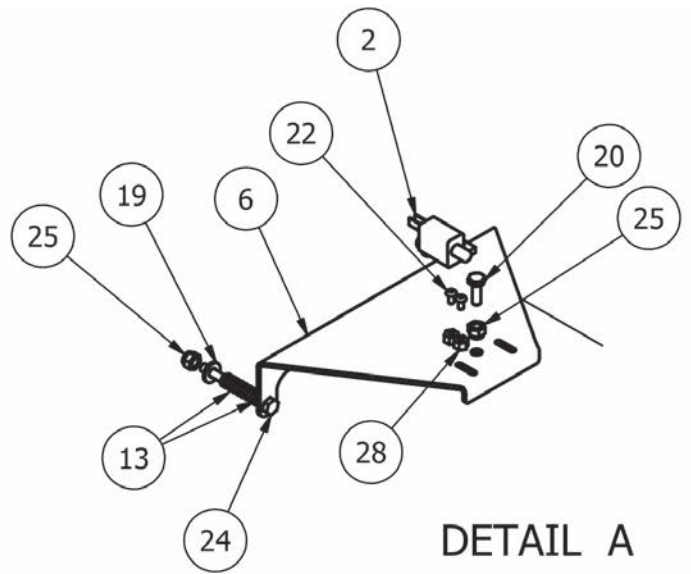


Steering Arm Assembly



Steering Arm Assembly			
ITEM	QTY	PART NUMBER	DESCRIPTION
1	1	069-4010-00	Rubber Grip
2	1	039-1125-00	MZ Switch Bracket
3	2	019-8027-00	.515 ID Nylon Shoulder Washer
4	1	034-8025-00	Drive Lever Spring
5	3	032-8024-00	.507 ID Nylon Bushing
6	1	013-8043-00	5/16" Nut
7	1	019-6017-00	.635 ID Plastic Washer
8	2	013-6051-00	3/8" Fine Threaded Jam Nut
9	2	019-8051-00	5/16" Lock Washer
10	1	018-8063-00	5/16" x 3/4" Hex Bolt
11	1	077-8073-00	Safety Switch
12	2	024-6034-00	1/4" Drive in Grease Fitting
13	2	019-7000-00	.505x1x .125 Oil Impregnated washer
14	2	032-5055-00	Busshing For 2012 Drive arm
15	2	018-1080-00	12-24x 1/2 HWH Bolt
16	2	018-2020-00	5/16-18 1/2 HWH Bolt-Steering
17	1	031-9025-00	Stering Arm Elbow (Right)
18	1	031-9020-00	Stering Arm Elbow (Left)
19	1	013-0085-00	1/2-13 Hex Flange (GR.G) ZC

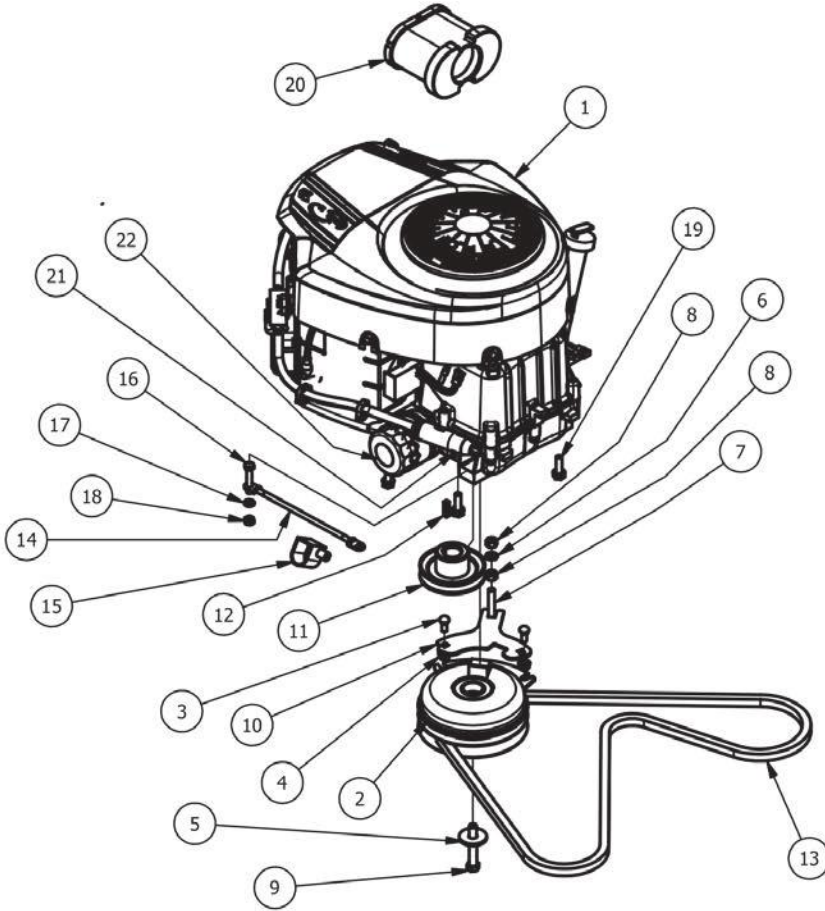
Axle Assembly



Axle Assembly			
ITEM	QTY	PART NUMBER	DESCRIPTION
1	1	201-2020-00	MZ Transaxle Support (Lower)
2	1	077-8073-00	Safety Switch
3	1	050-4030-00	EZT - Right MZ Models
4	1	050-4031-00	EZT- Left MZ Models
5	2	040-2025-00	Cotter Pin-Brake bar on Mz
6	1	039-1124-00	MZ Brake Lock Bracket
7	1	035-8001-00	Steering linkage for Mz Left
8	2	099-6046-00	3/8-24 Ball Joint
9	2	099-2009-00	Quick Release Ball Joint
10	1	035-8000-00	Steering linkage for Mz right
11	4	019-5037-00	3/8" Lock Washer
12	4	013-6051-00	3/8" Fine Threaded Jam Nut
13	2	034-3050-00	Brake Spring
14	2	028-0060-00	MZ Brake Release Bar
15	2	022-8026-00	Rear rim for a 48in
16	2	022-8025-00	18 x 9.50 - 8 Tire Only MZ 48" Deck only
17	4	019-8051-00	5/16" Lock Washer
18	12	019-8044-00	5/16" Flat Washer
19	2	019-7040-00	1/4" Flat Washer
20	1	018-8052-00	1/4" x 3/4" Hex Bolt
21	8	018-5344-00	5/16" x 2 1/2" Bolt
22	2	018-5200-00	10-24 X 5/8 BS C/S 18-8 SS
23	4	018-4701-00	5/16" x 3" Hex Bolt
24	2	018-1076-00	1/4-20 x2-1/2 Gr2 hex C/s zinc
25	3	013-8073-00	1/4" Nylock Nut
26	4	013-8043-00	5/16" Nut
27	8	013-3000-00	Acorn Lug Nut
28	2	013-5019-00	10-24 Nylon Insert Locknut
29	1	050-2074-00	MZ Fan & Pulley Kit
30	1	022-8027-00	42" MZ 18x 7.50-8 tire only
31	1	022-8028-00	Rear rim only 42" MZ
32	1	022-8050-00	18x9.50-8 48" Deck Tire and Wheel Assembly
33	1	022-2050-00	18x8.50-8/8" 42" Deck Tire and Wheel Assembly
34	8	013-8049-00	5/16" Nylon Flange Nut

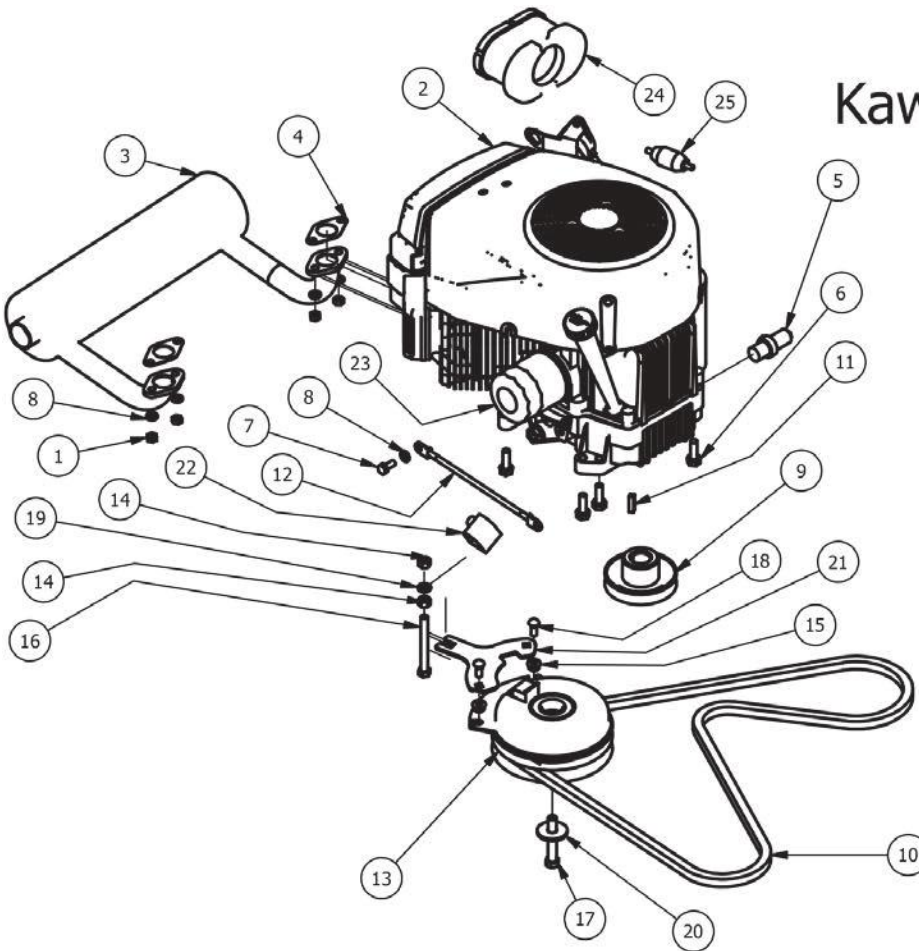


21 Hp Briggs Intek



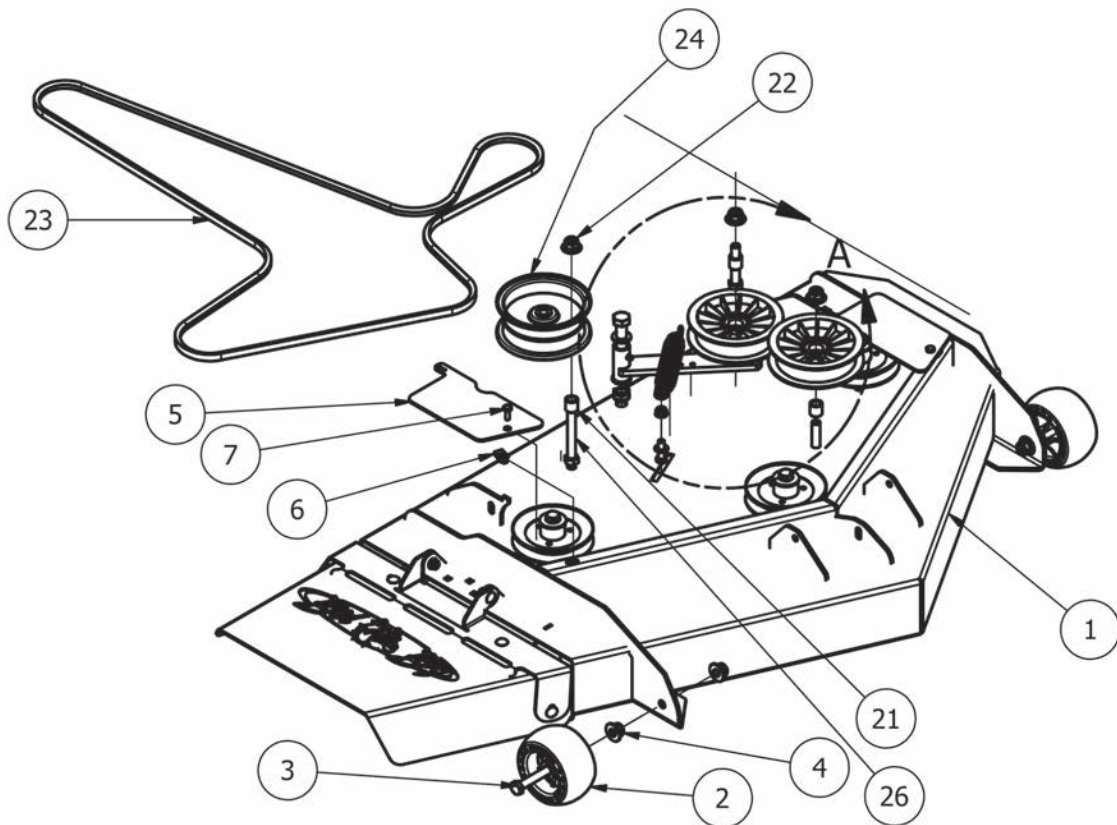
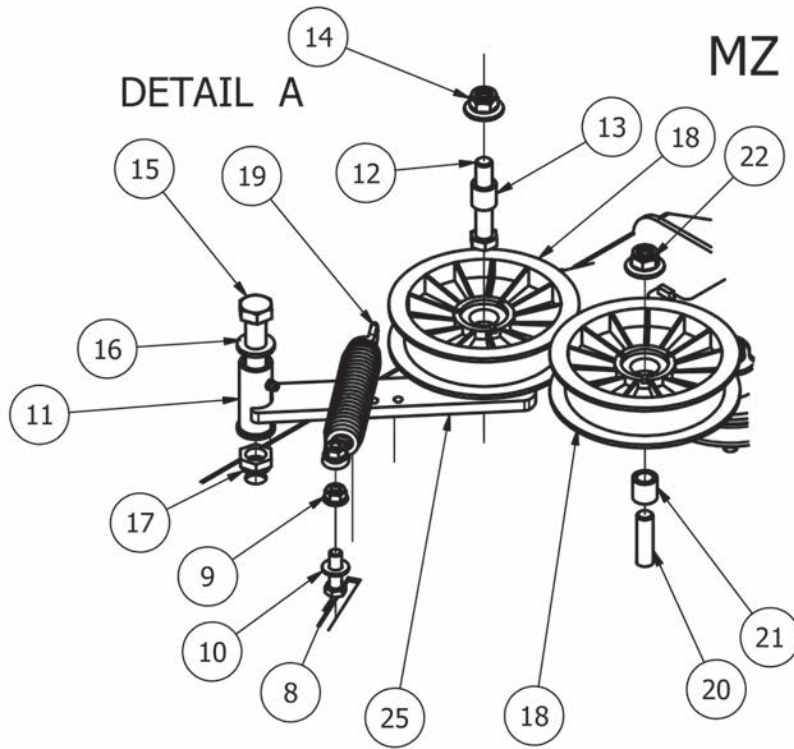
21 HP Briggs Intek			
ITEM	QTY	PART NUMBER	DESCRIPTION
1	1	015-0021-00	21hp Briggs Intek Engine-MZ 1" Shaft
2	1	070-3000-00	MZ Clutch Assembly w/in 1" Shaft
3	2	018-8062-00	5/16-18x3/4 carriage bolt
4	2	013-9002-00	5/16" Flange Nut Zinc W/Serrations
5	1	019-6020-00	1/2 Belleville Washer
6	1	019-5037-00	3/8" Lock Washer
7	1	018-1010-00	3/8-16x3-1/2 grade 5 hex bolt
8	2	013-6014-00	3/8" Hex Nut
9	1	018-5401-00	7/16x2 3/4 Fine Thread Bolt
10	1	057-5920-00	MZ Clutch Holder
11	1	033-2010-00	3-3/4" Motor Pulley
12	1	042-6030-00	1/4" x 1" Key
13	1	041-6400-00	Pump Belt
14	1	064-0030-00	Ground Cable
15	1	103-5400-00	Black Boot for ground cable
16	1	018-8059-00	5/16" x 1 3/4" Hex Bolt
17	1	019-8051-00	5/16" Lock Washer
18	1	013-8043-00	5/16" Nut
19	3	018-1075-00	3/8 x 1 1/8 bolt
20	1	063-4026-00	21hp Briggs Air filter
21	1	063-6000-00	Universal inline Fuel Filter
22	1	063-8018-00	Oil Filter

Kawasaki FR-651V

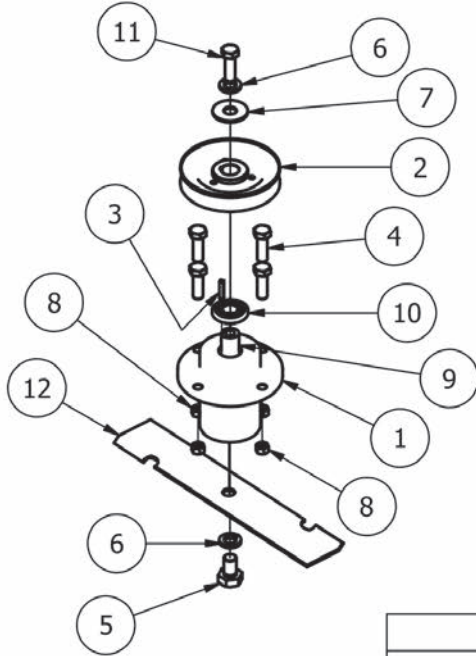


Kawasaki FR-651V			
ITEM	QTY	PART NUMBER	DESCRIPTION
1	4	013-0075-00	M8-1.25 Zinc Nut
2	1	015-0022-00	Kawasaki FR-651V 1" Shaft
3	1	015-0038-00	Kawasaki Exhaust
4	2	015-2709-00	Exhaust gasket
5	1	015-5404-00	oil drain
6	4	018-1075-00	3/8 x 1 1/8 bolt
7	1	018-5321-00	M8x1.20x20MM Hex head bolt
8	5	019-8051-00	5/16" Lock Washer
9	1	033-2010-00	3-3/4" Motor Pulley
10	1	041-6400-00	Pump Belt
11	1	042-6030-00	1/4" x 1" Key
12	1	064-8061-00	Ground Cable
13	1	070-3000-00	MZ Clutch Assembly Fit's 1" Shaft
14	2	013-6014-00	3/8" Hex Nut
15	2	013-9002-00	5/16" Flange Nut Zinc W/Serrations
16	1	018-1010-00	3/8-16x3-1/2 grade 5 hex bolt
17	1	018-5401-00	7/16x2 3/4 Fine Thread Bolt
18	2	018-8062-00	5/16-18x3/4 carriage bolt
19	1	019-5037-00	3/8" Lock Washer
20	1	019-6020-00	1/2 Belleville Washer
21	1	057-5920-00	MZ Clutch Holder
22	1	103-5400-00	Black Boot For ground cable
23	1	063-8017-00	Oil Filter
24	1	063-2097-00	FR-651 V & FR-730V Kaw air Filter
25	1	063-6000-00	Universal inline Fuel Filter

MZ 42" Deck Assembly

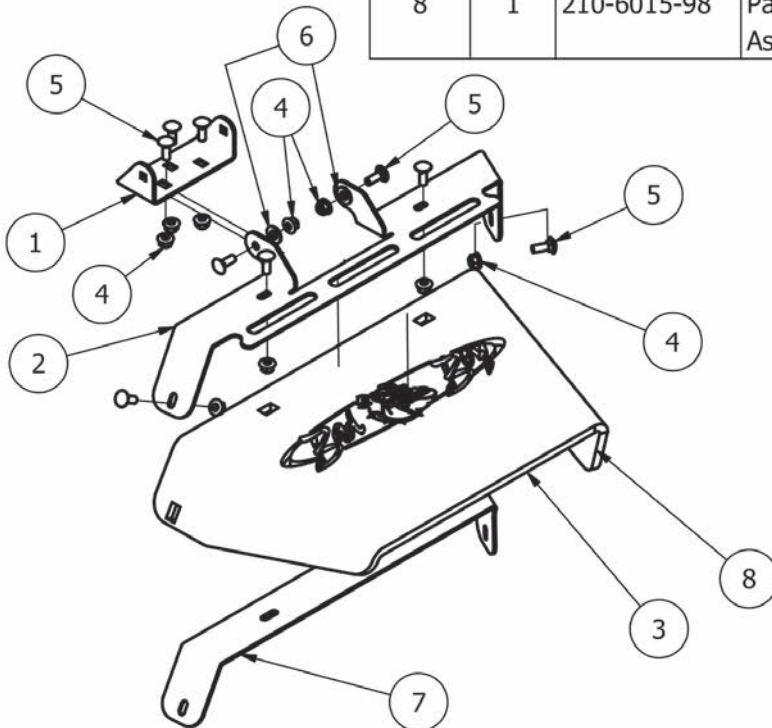


MZ 42" Deck Assembly			
ITEM	QTY	PART NUMBER	DESCRIPTION
1	1	060-2200-00	Mz 42 Deck
2	1	022-5234-00	Deck Wheel
3	1	018-2018-00	1/2 x 3 1/2 Flange Bolt Grade 8
4	2	013-8050-00	1/2-13 Nylon Flange Nut-Orange
5	2	014-4200-00	MZ42 Pulley Cover
6	2	013-0054-00	1/4-20 Cage Nut
7	2	018-8052-00	1/4" x 3/4" Hex Bolt
8	1	018-5040-00	3/8" x 1 1/4" Hex Bolt
9	2	013-5202-00	3/8" Nylock Flange Nut
10	1	019-5029-00	3/8" Flat Washer
11	1	039-6945-00	Deck Idler
12	1	018-6036-00	1/2" x 2 3/4" Hex Bolt
13	1	025-5203-00	3/4 OD x 1/2 ID x 3\4 Length
14	1	013-8050-00	1/2-13 Nylon Flange Nut-Orange
15	1	018-5311-00	5/8" x 4" Hex Bolt
16	2	019-6017-00	.635 ID Plastic Washer
17	1	013-5301-00	5/8" Nylock (1/2 Jam)
18	2	033-2000-00	Plastic Idler Pulley
19	1	034-2009-00	Deck Idler Spring MZ
20	1	018-6036-00	1/2" x 2 3/4" Hex Bolt
21	2	025-5203-00	3/4 OD x 1/2 ID x 3\4 Length
22	2	013-8050-00	1/2-13 Nylon Flange Nut-Orange
23	1	041-0120-00	42" Deck Belt- B120
24	1	033-5001-00	5 3/4" Deck Idler Pulley
25	1	039-7001-98	Parts 11,12,13,14,18 make up the deck idler assembly
26	1	018-6054-00	1/2-13 x 3 1/2 GR 5 Hex Bolt

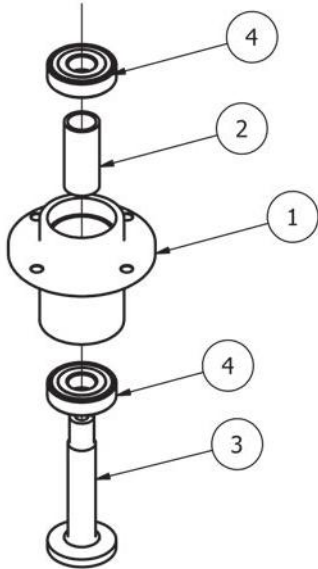


Spindle Assembly for 42" MZ Deck			
ITEM	QTY	PART NUMBER	DESCRIPTION
1	1	037-2000-00	Spindle
2	1	033-4820-00	MZ Deck Pulley
3	1	042-0010-00	3/16 x 1 Square Key
4	4	018-5040-00	3/8-16X 1-1/4 GR Hex Bolt
5	1	018-6020-00	5/8" x 1 1/2" Grade 8 Bolt
6	2	019-4807-00	5/8 Lockwasher Zinc
7	1	019-6020-00	1/2 Belleville Washer
8	4	013-6014-00	3/8" Hex Nut
9	1	037-6025-00	MZ Spindle Shaft-only
10	2	037-6024-00	Spindle Bearing
11	1	018-6019-00	1/2-20 x 1-1/2 GR 5 Bolt Zinc
12	1	038-4221-00	MZ 42" Blade

42" MZ & 48" 54" MZ Magnum- Chute Assembly			
ITEM	QTY	PART NUMBER	DESCRIPTION
1	1	206-6020-00	Chute Hanger
2	1	039-4891-00	Discharge Chute Bracket MZ (Upper)
3	1	210-6015-00	Rubber Discharge Chute MZ (Component)
4	9	013-8049-00	5/16" Nylon Flange Nut
5	9	018-8066-00	5/16" x 7/8" Carriage Bolt
6	2	019-6042-00	.360 ID Plastic Washer
7	1	039-4890-00	Discharge Chute Bracket MZ (Lower)
8	1	210-6015-98	Parts 2,3,5,7,8 Make's up the Mz discharge Assembly



037-2000-00 Spindle Assembly-MZ



Parts List			
ITEM	QTY	PART NUMBER	DESCRIPTION
1	1	037-6027-00	MZ Spindle Housing
2	1	037-6028-00	MZ Spindle Spacer-Component
3	1	037-6025-00	MZ Spindle Shaft
4	2	037-6024-00	MZ Spindle Bearing



091-1015
MZ 21hp Z Pro decal



091-0726-00
MZ 726cc Z Pro Decal



091-1000-00 (Briggs Only)
091-1005-00 (Kawasaki Only)
MZ Control Cluster

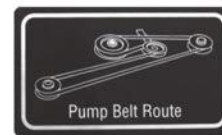


091-3300-00
Caution Decal - Front Grill



091-1030-00
MZ Logo Dome Decal Grill

091-1040-00
MZ Floor Panel Cluster



091-3017-00
Pump Belt Route Decal



091-1010-00
Danger Decal
Spindle/Discharge



091-1035-00
MZ Logo Decal - Front



091-1020-00
MZ Hydraulic Decal



091-3310-00
42 Deck Decal - ADS



091-1045-00
MZ Belt Route Decal



2013 LIMITED WARRANTY FOR BAD BOY MZ & MZ MAGNUM SERIES

1. WHAT THIS WARRANTY COVERS, AND FOR HOW LONG:

Bad Boy, Inc. will, at its option, repair or replace, without charge, any part covered by the warranty which is found to be defective in material and/or workmanship for two (2) years* after the date of sale to the original retail purchaser unless the product is used for commercial, industrial, or rental purposes, in which case the Bad Boy MZ mower will carry no warranty, whatsoever.

Labor for all warranted parts will also be covered for 2 years from the date of sale to the original purchaser.

Belts are warranted for a period of ninety (90) days against materials or workmanship defects.

At Bad Boy, Inc.'s request, the customer will make the defective part available for inspection by Bad Boy, Inc. and/or return the defective part to Bad Boy, Inc., transportation charges prepaid.

2. WHAT THIS WARRANTY DOES NOT COVER:

A. This warranty does not cover defects caused by depreciation or damage caused by normal wear, accidents, improper maintenance, improper use or abuse of the product, alterations, or failure to follow the instruction contained in the Owner's Manual for operation and maintenance.

B. The customer shall pay any charges for making service calls and/or for transporting the mower to and from the place where the inspection and/or warranty work is performed.

Bad Boy Inc will not be responsible for the pickup and delivery of a machine for warranty purposes.

C. **Engines** are warranted separately by their respective manufacturer. The available warranties covering this item are furnished with each mower. Bad Boy, Inc does not assume any warranty obligation, liability or modification for this item, which is covered exclusively by the stated warranty of the respective manufacturers.

D. **Tires, blades, and deck anti-scalping wheels** are considered to be consumable wear items and are therefore **not warranted.**

E. **Batteries** are warranted for six months (**free replacement**) from the retail purchase date against materials or workmanship defects. *The battery warranty must be obtained through the battery manufacturer.*

3. HOW TO OBTAIN SERVICE UNDER THIS WARRANTY:

A. Warranty service can be arranged by contacting the dealer where you purchased the mower or by contacting Bad Boy, Inc. Proof of the date of purchase may be required to verify warranty coverage.

B. Warranty claims will not be reviewed or paid unless the warranty registration is received by Bad Boy, Inc. within 30 days of the retail purchase date.

4. WARRANTY LIMITATION:

A. **THERE IS NO OTHER EXPRESS WARRANTY. ANY WARRANTY THAT MAY BE IMPLIED FROM THIS PURCHASE INCLUDING MERCHANTABILITY AND FITNESS FOR A PARTICULAR PURPOSE IS HEREBY LIMITED TO THE DURATION OF THIS WARRANTY AND TO THE EXTENT PERMITTED BY LAW ANY AND ALL IMPLIED WARRANTIES ARE EXCLUDED.** Some states do not allow limitations on how long an implied warranty lasts, so the above limitations may not apply to you.

B. **BAD BOY, INC. WILL NOT BE LIABLE FOR ANY INCIDENTAL, CONSEQUENTIAL, OR SPECIAL DAMAGES AND/OR EXPENSES IN CONNECTION WITH THE PURCHASE OR USE OF THE MOWER.** Some states do not allow the exclusion or limitation of incidental or consequential damages, so the above limitation(s) or exclusion(s) may not apply to you.

C. Only the warranty expressed in this limited warranty shall apply and no dealer, distributor, or individual is authorized to amend, modify, or extend this warranty in any way. Accordingly, additional statements such as dealer advertising or presentations, whether oral or written, do not constitute warranties by Bad boy, Inc., and should not be relied on.

D. This warranty extends only to turf equipment operated under normal conditions and properly serviced and maintained. The warranty expressly does not cover (i) any defects, damage or deterioration due to normal use, wear and tear, or exposure; (ii) normal maintenance services such as oil change, cleaning, lubrication, adjustment; (iii) replacement of services, items, such as oil, lubricants, spark plugs, belts, rubber hoses or other items subject to normal service replacement; (iv) damage or defects arising out of or relating to misuse, neglect, alteration, negligence or accident; (v) repair or replacement arising from operation of or use of the turf equipment which is not in accordance with operating instructions as specified in the operator's manual or other operational instructions provided by Bad Boy Inc.; (vi) repair or replacement arising as a result of any operation from turf equipment that has been altered or modified so as to, indetermination of Bad Boy, Inc., adversely affect the operation, performance or durability of the equipment or that has altered, modified or affected the turf equipment so as to change the intended use of the product; (vii) repair or replacement necessitated by use of parts, accessories or supplies, including gasoline, oil or lubricants, incompatible with the turf equipment or other than as recommended in the operator's manual or other operational instructions provided by Bad Boy, Inc.; (viii) repairs or replacements resulting from parts or accessories which have adversely affected the operation, performance or durability of the turf equipment; or (ix) damage or defects due to or arising out of repair of turf equipment by person or persons other than an authorized Bad Boy, Inc., service dealer or the installation of parts other than genuine Bad Boy, Inc., recommended parts.

As a condition to this warranty, customer shall have read the operator's manual and shall have returned to Bad Boy, Inc., within the prescribed time, the enclosed warranty registration card.



Bad Boy, Inc.
102 Industrial Drive
Batesville, AR 72501
1.866.622.3269
www.badboymowers.com

Technical Support:

Brad Covington brad.covington@badboymowers.com
 Taylor Prince taylor.prince@badboymowers.com
 James Russell james.russell@badboymowers.com

Warranty:

Dustin Tissiere dustin@badboymowers.com

Parts:

Chris Epperson chris.epperson@badboymowers.com
 Robert Patterson robert.patterson@badboymowers.com

Cut and Mail or Fill Out Online under 'Owners' at www.badboymowers.com

WARRANTY REGISTRATION

Full Name _____

Address _____

City _____

State _____ Zip _____

SERIAL #

Purchase Date _____ Telephone _____

Purchased From _____

"I certify that I have been properly instructed on operating this machine."



For additional information, please see us at
www.badboymowers.com

MZ42" MODEL

Bad Boy, Inc.
102 Industrial Drive
Batesville, Arkansas 72501
(870) 698-0090

Cut and Mail or Fill Out Online under 'Owners' at www.badboymowers.com

*Place Stamp
Here*

POST OFFICE
WILL NOT DELIVER
WITHOUT POSTAGE



BAD BOY MOWERS

102 Industrial Drive
Batesville, AR 72501